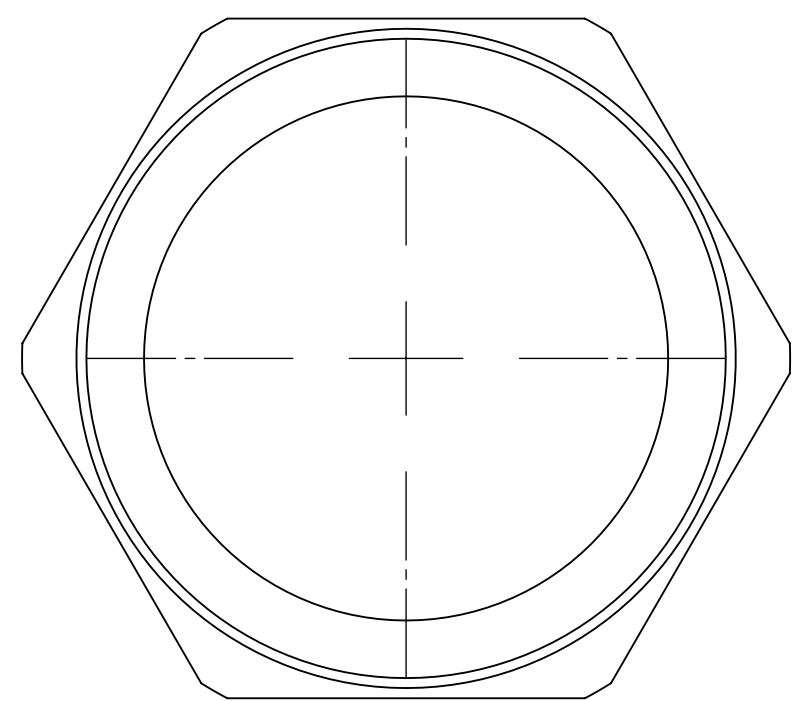
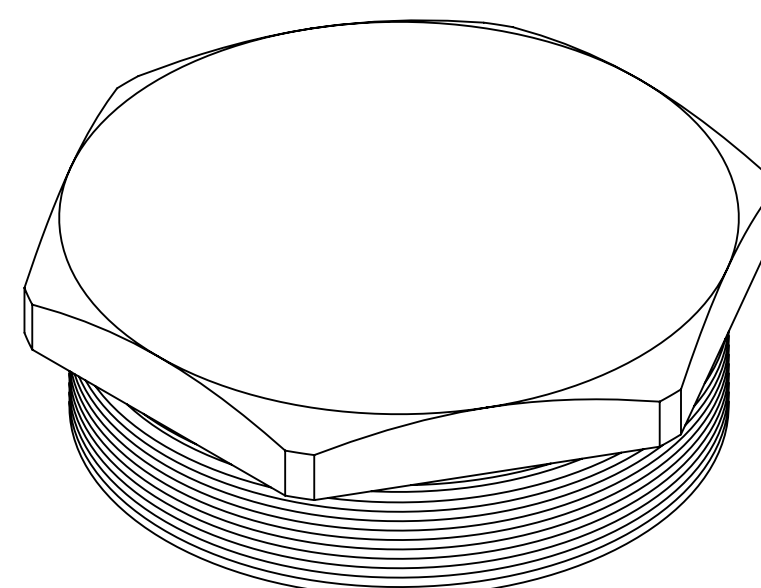
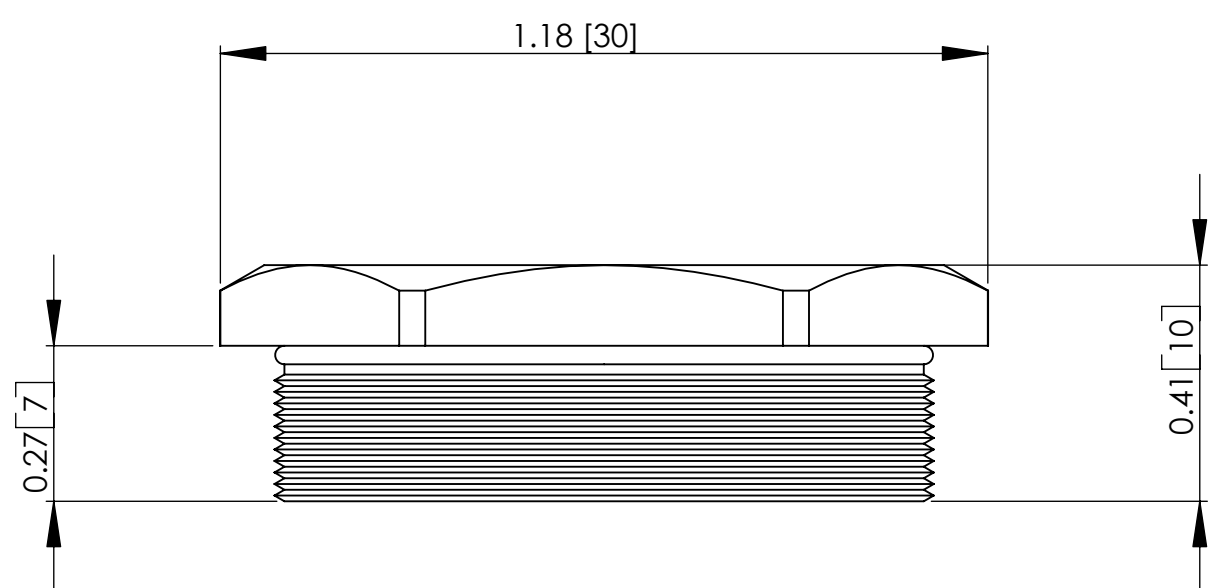


4

3

2

1



NOTES:

- 1) GENERAL DIMENSIONS DRAWINGS.
- 2) DIMENSIONS [ ] ARE IN INCHES.
- 3) DIMENSIONS NOTED ARE FOR REFERENCE ONLY.

Third angle projection		
<p>14853 E HINDSDALE AVE, SUITE D          CENTENNIAL, CO 80112-4240, USA          TEL: +1-303-699-1135          TOLL FREE: +1-800-456-9012          E MAIL: <a href="mailto:info@sealconusa.com">info@sealconusa.com</a>,          WEBSITE: <a href="http://www.sealconusa.com">www.sealconusa.com</a></p>		

4

3

2

D

C

B

A

D

C

B

A