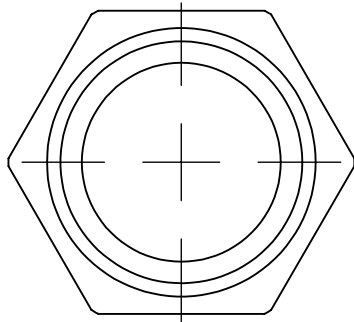
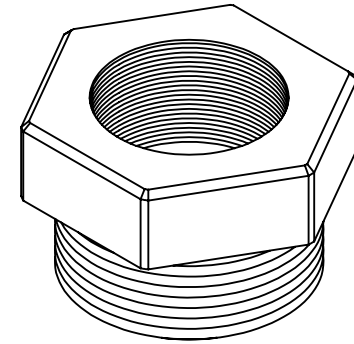
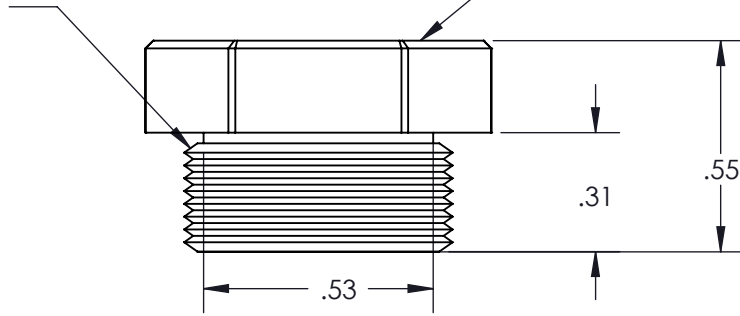



M20 x 1.5

M16 x 1.5



NAME RM-2016-BK
REVISION
VERSION
CURRENT ECH
RELEASE LEVEL

 MIRACLE <small>DESCRIPTION</small>	MIRACLE RECREATION EQUIPMENT COMPANY <small>MONETT, MO 65708 (417) 235-6917</small>
	<small>PART NO.</small> RM-2016-BK
<small>SHEET</small> 1 OF 1	<small>REV.</small>