

4

3

2

1

D

D

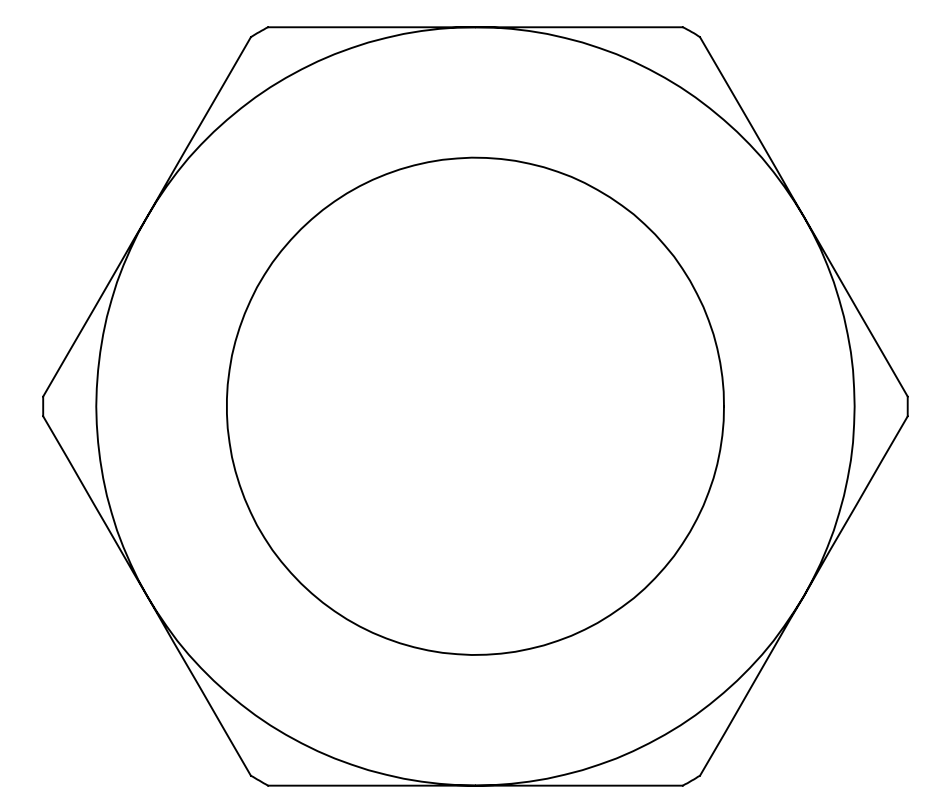
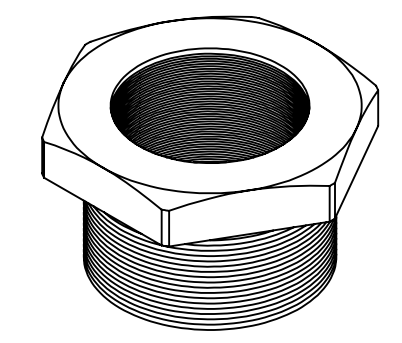
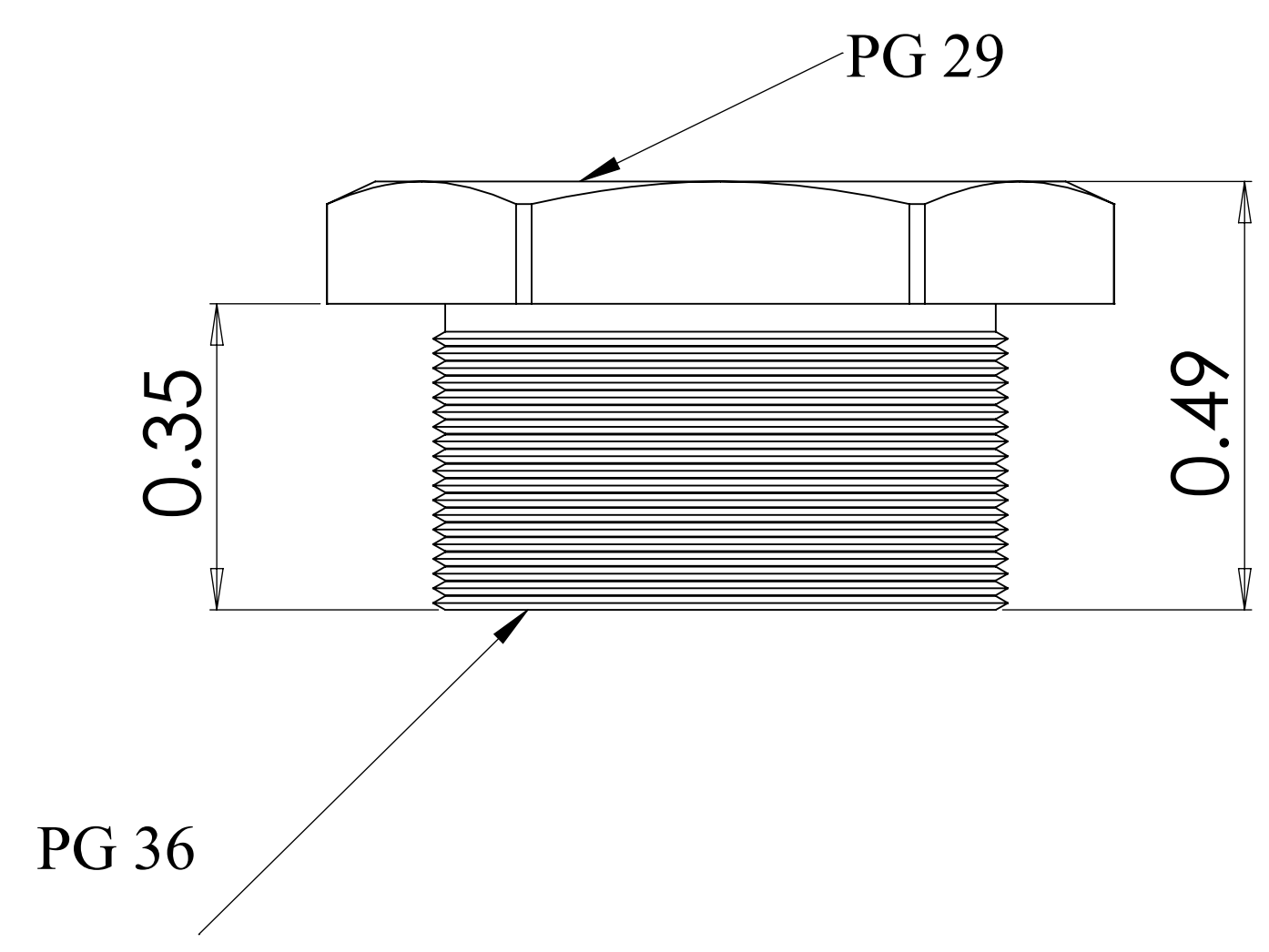
C

C

B

B

A



NOTES:

- 1) GENERAL DIMENSIONS DRAWINGS.
- 2) DIMENSIONS [ ] ARE IN MILLIMETER.
- 3) DIMENSIONS NOTED ARE FOR REFERENCE ONLY.

Third angle projection		
14853 E HINDSDALE AVE, SUITE D CENTENNIAL, CO 80112-4240, USA TEL: +1-303-699-1135 TOLL FREE: +1-800-456-9012 E MAIL: <a href="mailto:info@sealconusa.com">info@sealconusa.com</a> , WEBSITE: <a href="http://www.sealconusa.com">www.sealconusa.com</a>		

4

3

2