

4 3 2 1

D

C

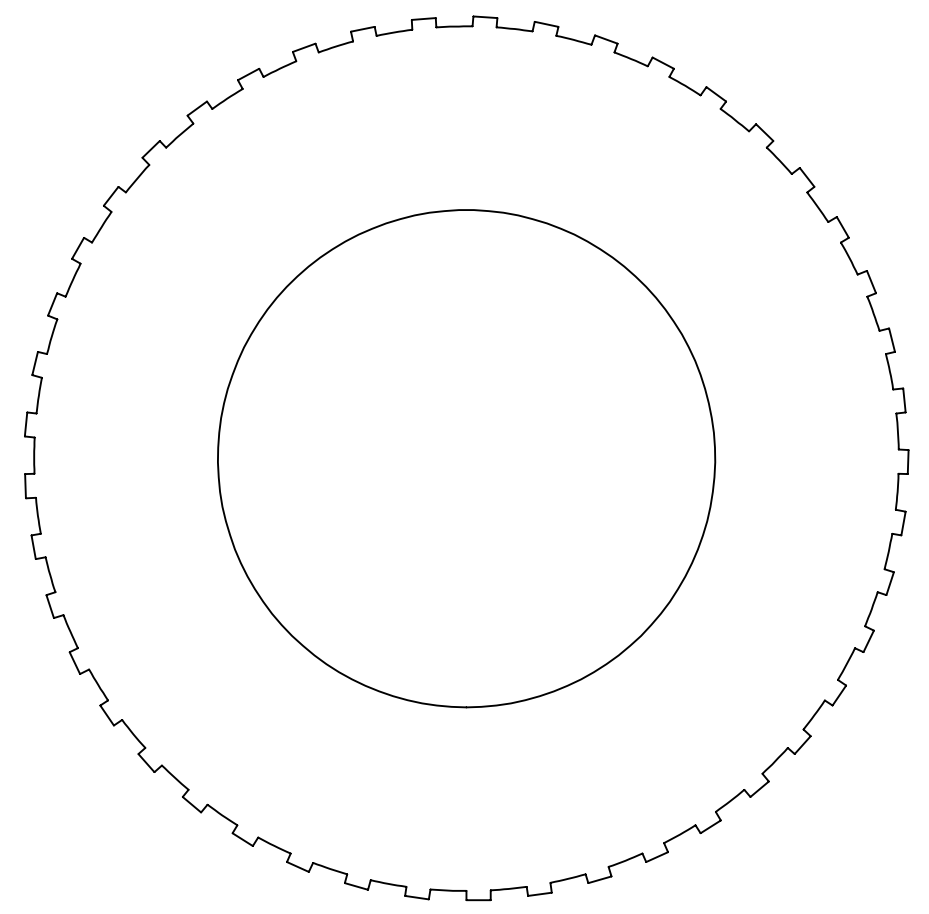
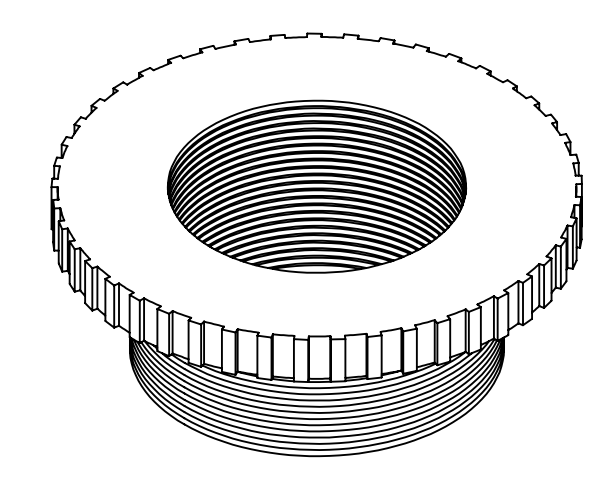
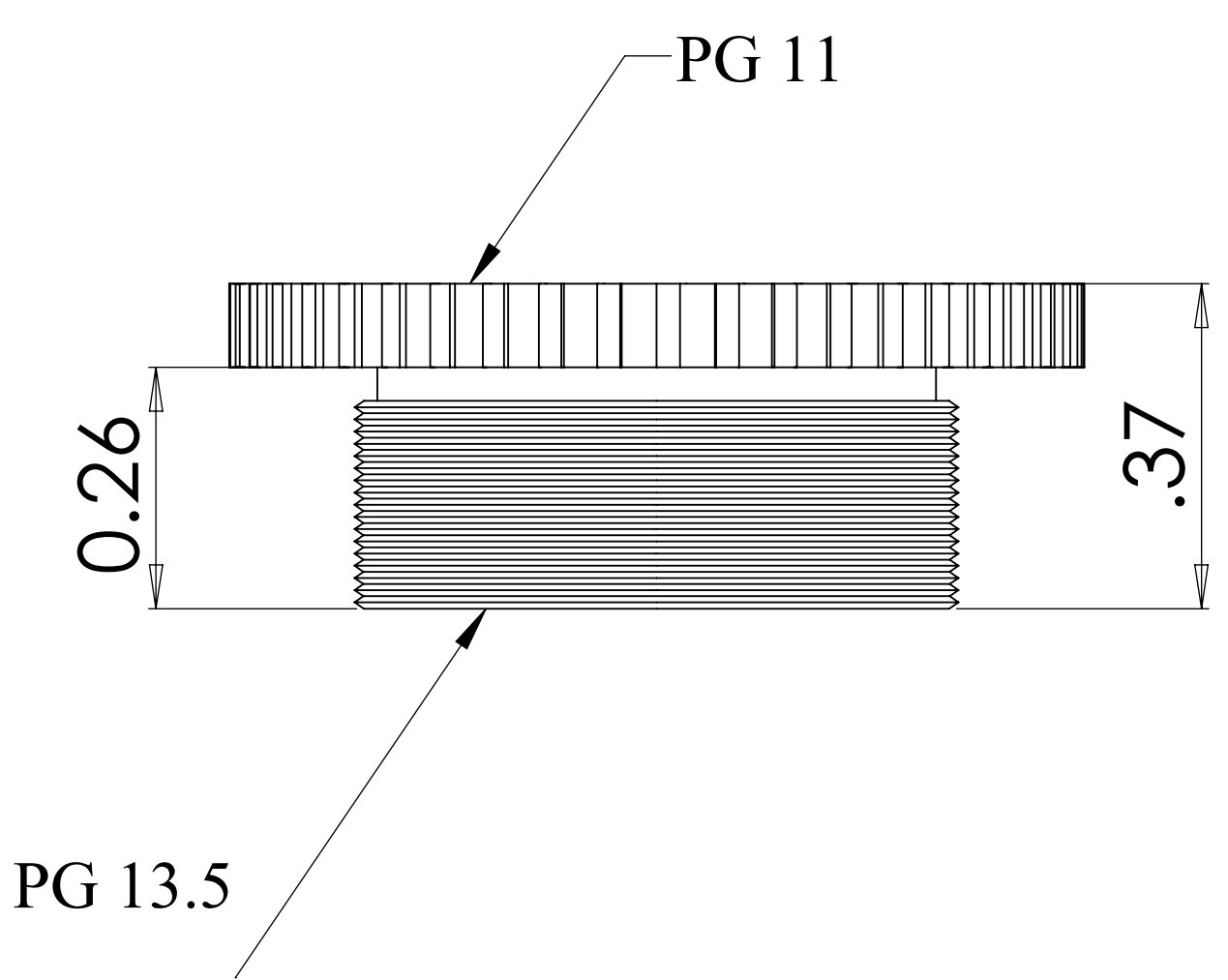
B

A

D

C

B



- NOTES:
- 1) GENERAL DIMENSIONS DRAWINGS.
 - 2) DIMENSIONS [] ARE IN MILLIMETER.
 - 3) DIMENSIONS NOTED ARE FOR REFERENCE ONLY.

Third angle projection		
14853 E HINDSDALE AVE, SUITE D CENTENNIAL, CO 80112-4240, USA TEL: +1-303-699-1135 TOLL FREE: +1-800-456-9012 E MAIL: info@sealconusa.com , WEBSITE: www.sealconusa.com		

4 3 2