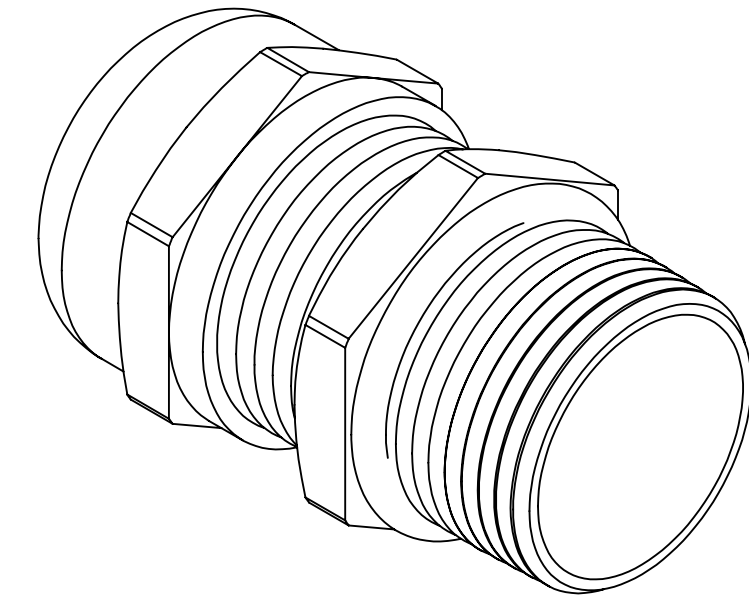
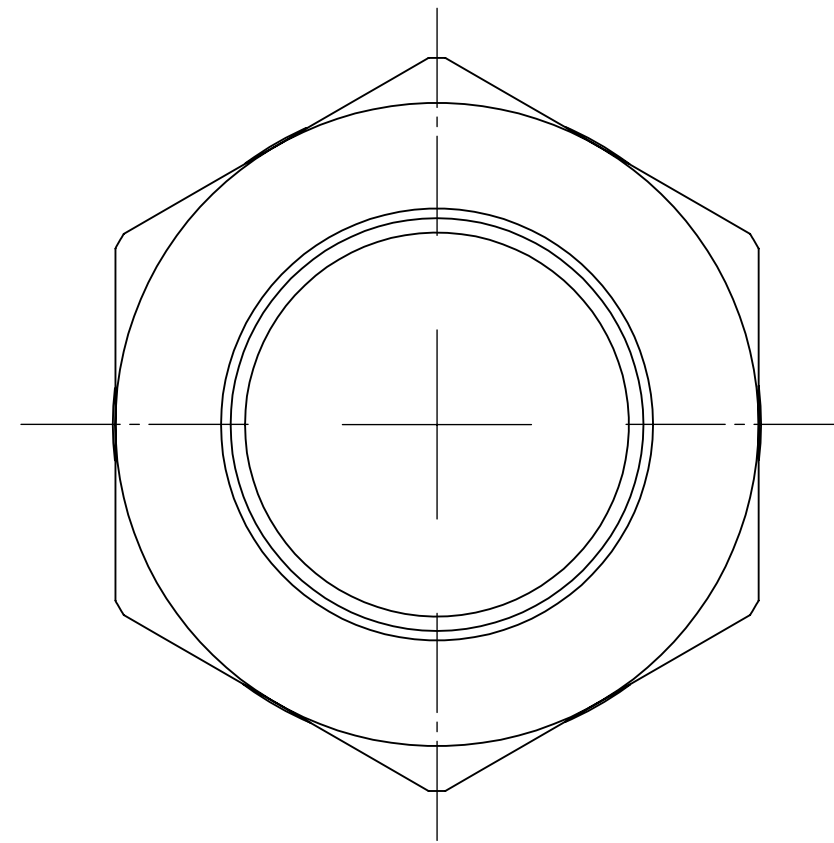
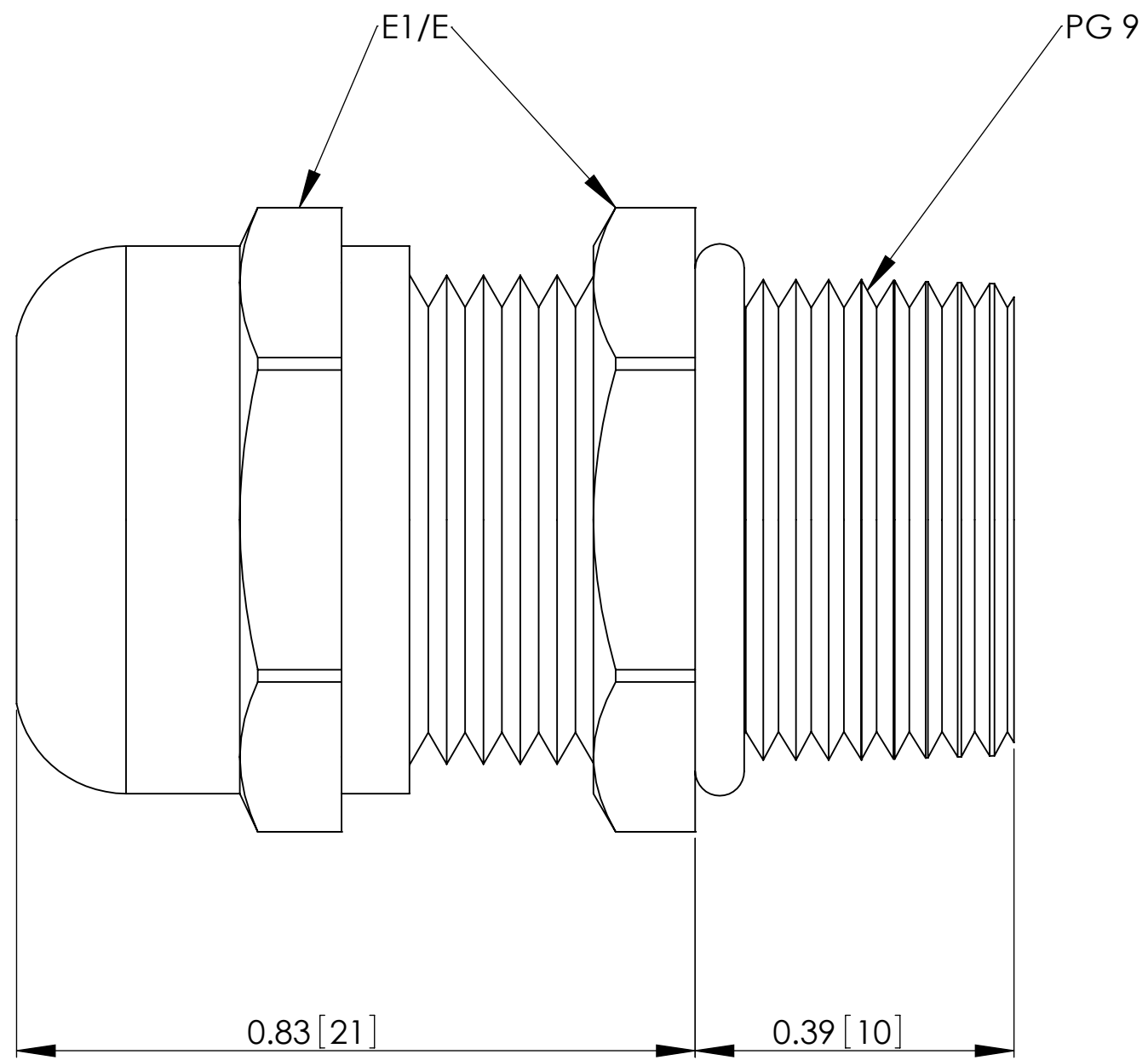


PVDF\_Elongated PG-NPT Threads\_Nickel  
Plated Brass.

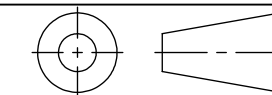
CD09CA-RV



NOTES:

- 1) GENERAL DIMENSIONS DRAWINGS.
- 2) DIMENSIONS [ ] ARE IN MILLIMETER.
- 3) DIMENSIONS NOTED ARE FOR REFERENCE ONLY.

Third angle projection



**SEALCON**

14853 E HINDSDALE AVE, SUITE D  
CENTENNIAL, CO 80112-4240, USA  
TEL: +1-303-699-1135  
TOLL FREE: +1-800-456-9012  
E MAIL: [info@sealconusa.com](mailto:info@sealconusa.com),  
WEBSITE: [www.sealconusa.com](http://www.sealconusa.com)

**hummel**