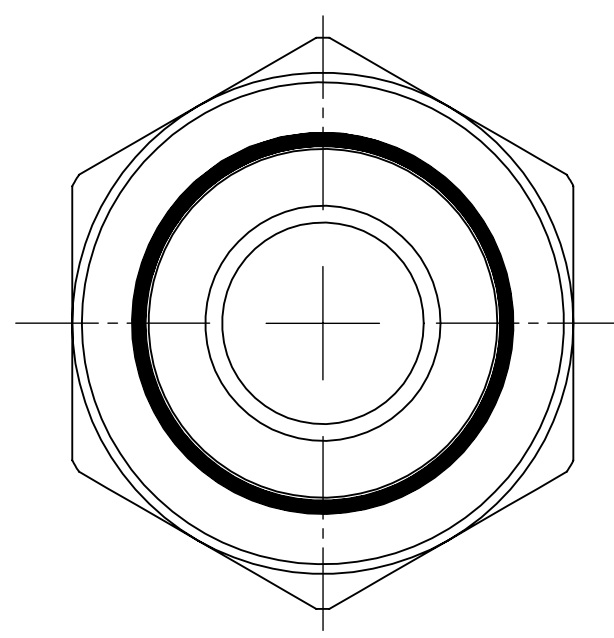
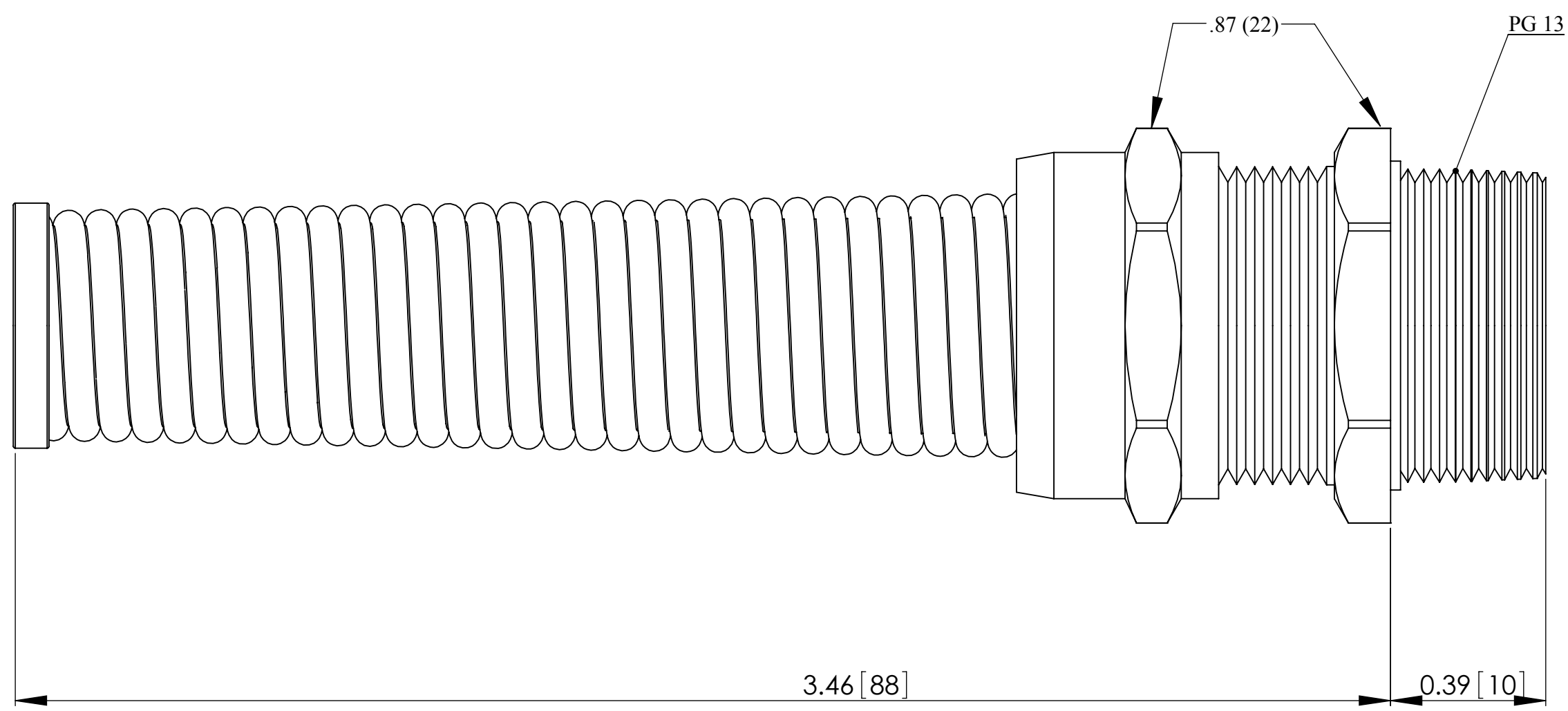
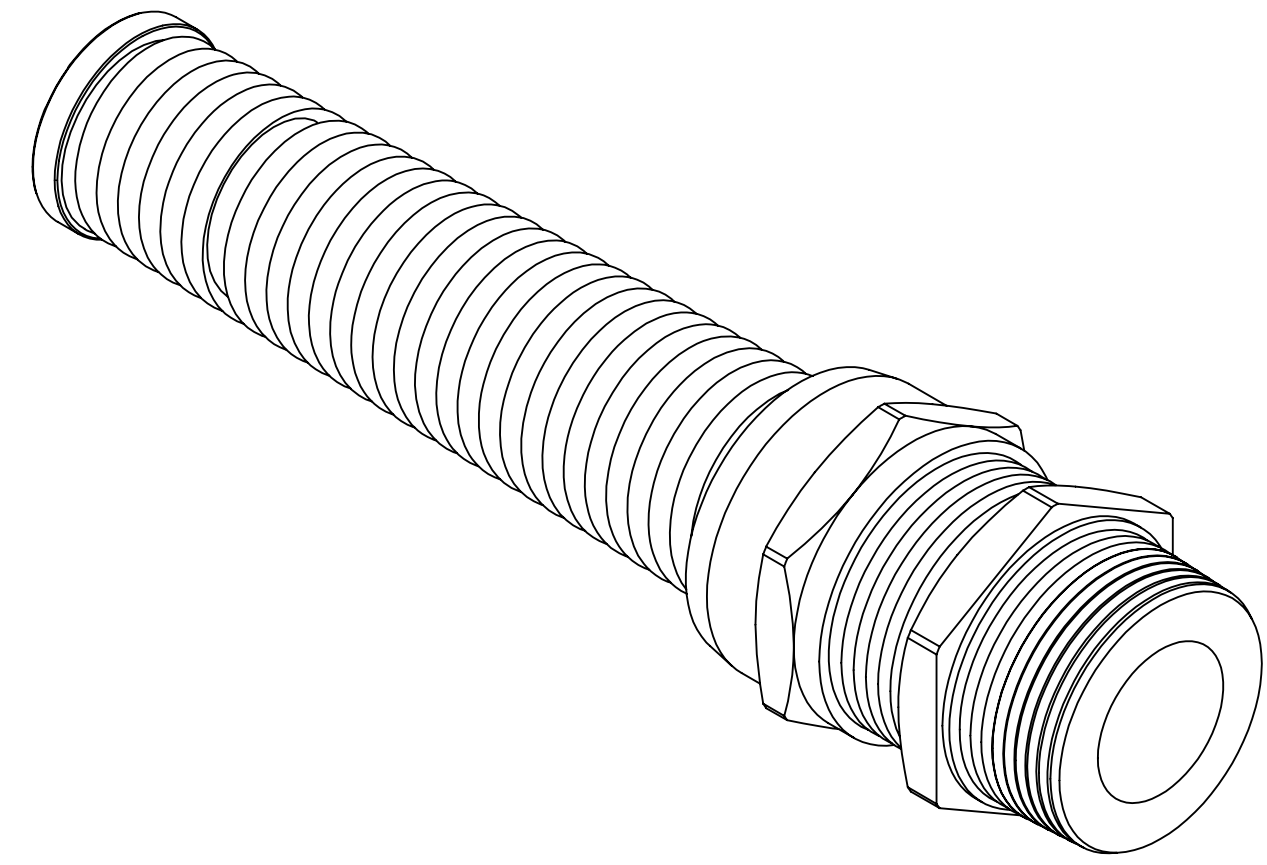


4
EMI-RFI Dome and Flex Fittings PG-NPT-Nickel
Plated Brass

3
CF13CR-BE



- NOTES:
- 1) GENERAL DIMENSIONS DRAWINGS.
 - 2) DIMENSIONS [] ARE IN MILLIMETER.
 - 3) DIMENSIONS NOTED ARE FOR REFERENCE ONLY.

Third angle projection		
<p>14853 E HINDSDALE AVE, SUITE D CENTENNIAL, CO 80112-4240, USA TEL: +1-303-699-1135 TOLL FREE: +1-800-456-9012 E MAIL: info@sealconusa.com, WEBSITE: www.sealconusa.com</p>		