

4

3

2

1

D

D

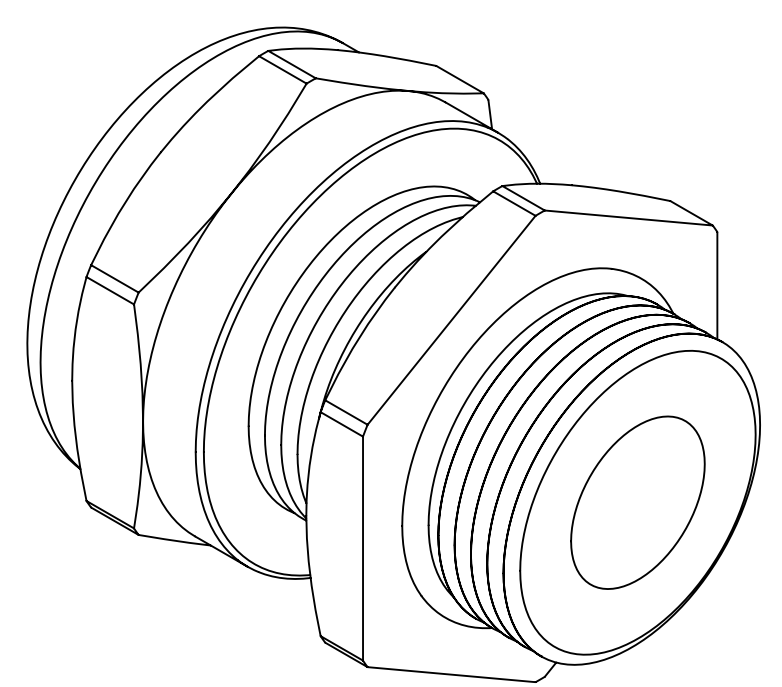
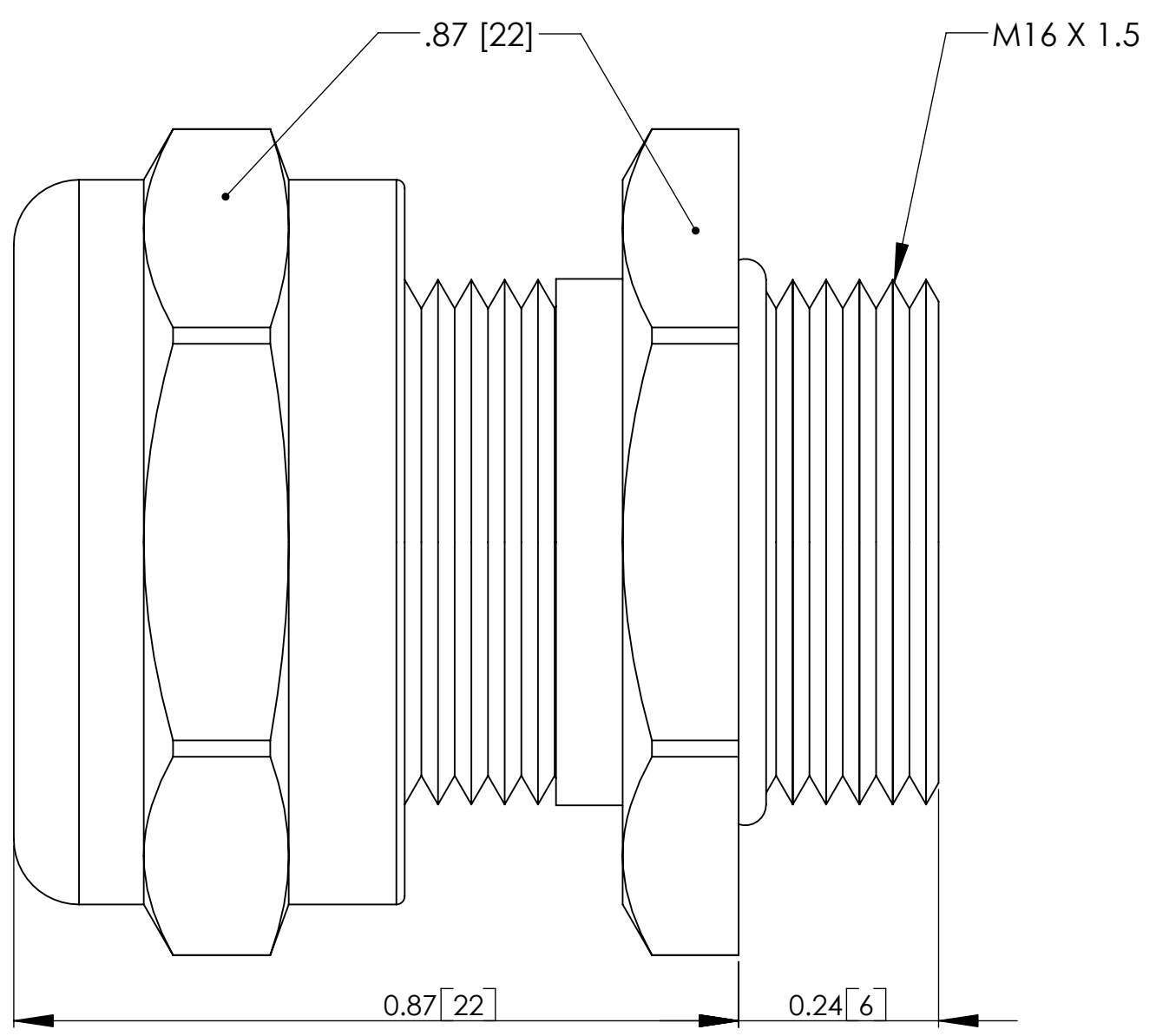
C

C

B

B

A



NOTES:

- 1) GENERAL DIMENSIONS DRAWINGS.
- 2) DIMENSIONS [] ARE IN MILLIMETER.
- 3) DIMENSIONS NOTED ARE FOR REFERENCE ONLY.

| | |
|--|----------------|
| Third angle projection | SEALCON |
| 7374 S. EAGLE STREET CENTENNIAL, CO 80112-4221 USA TEL: +1-303-699-1135 TOLL FREE: +1-800-456-9012 E MAIL: info@sealconusa.com WEBSITE: WWW.SEALCONUSA.COM | |
| | |

4

3

2