

4

3

2

1

D

D

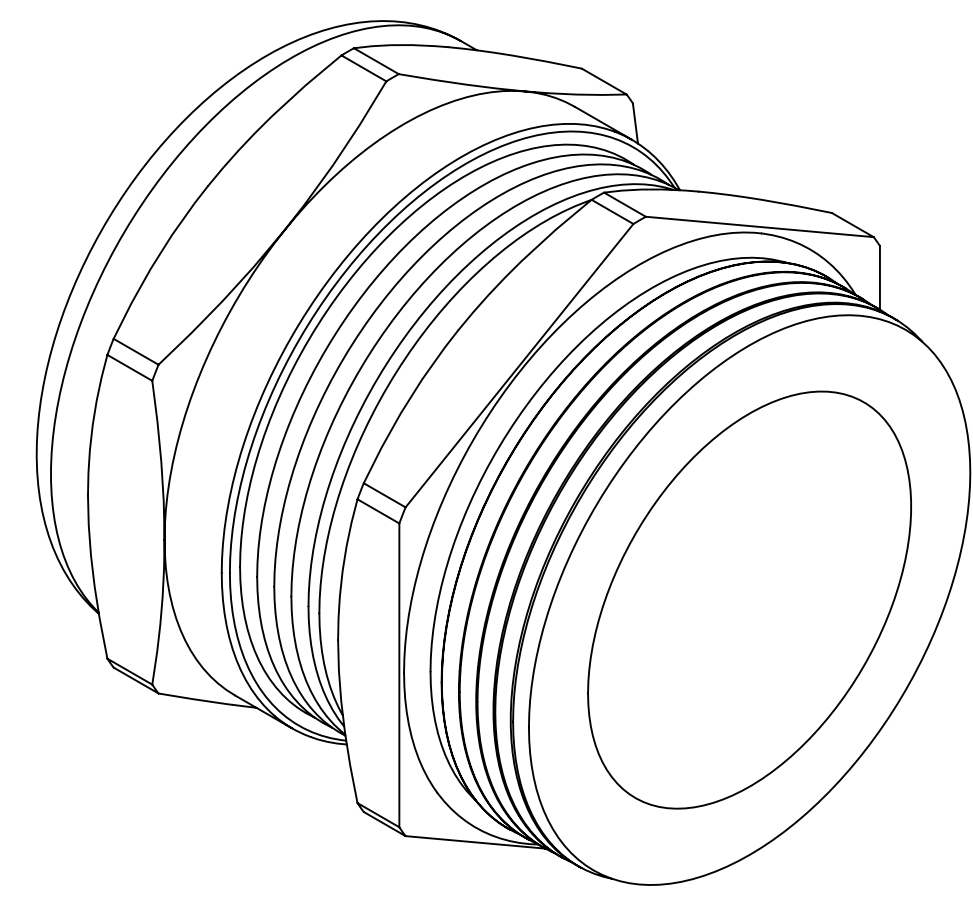
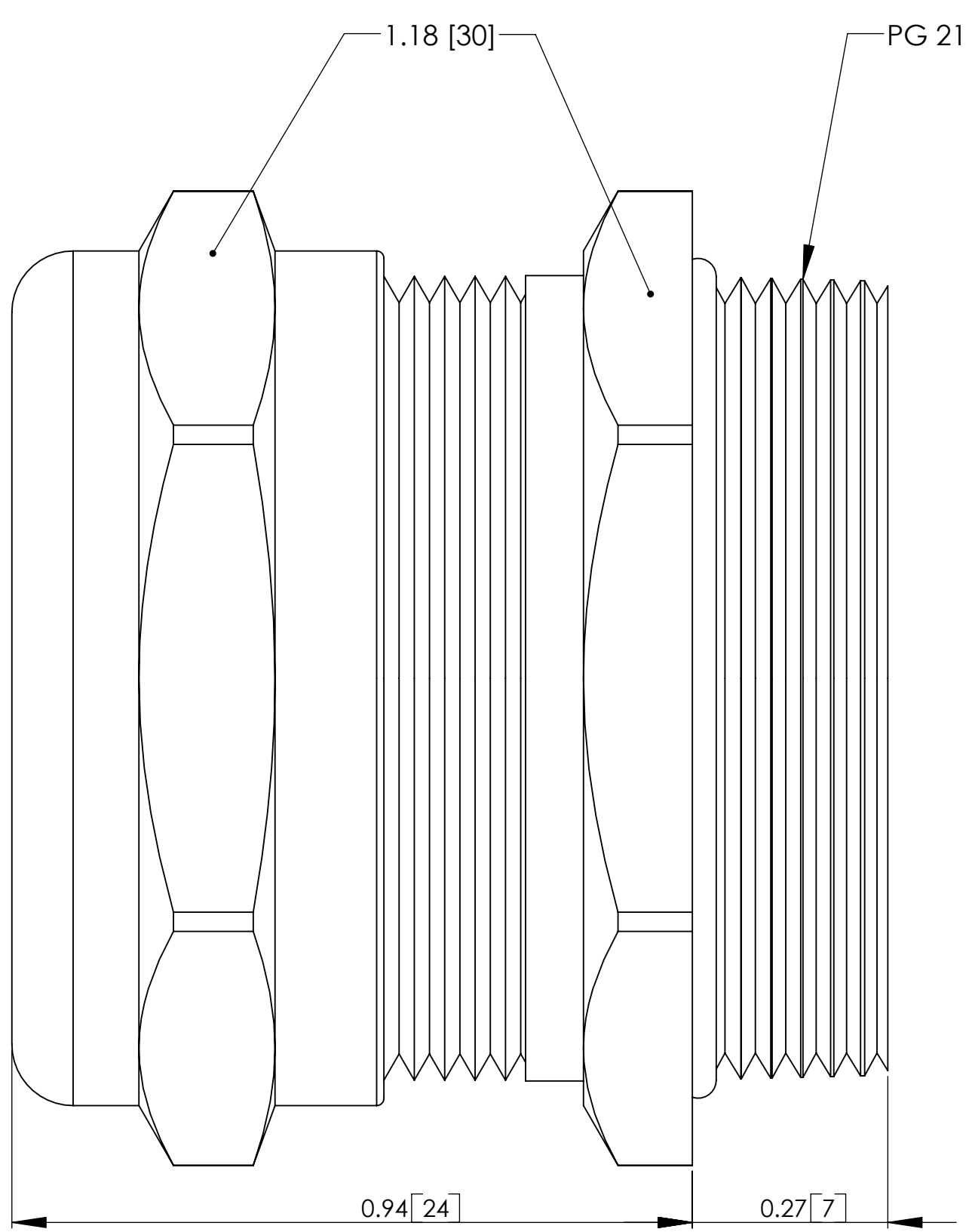
C

C

B

B

A



NOTES:

- 1) GENERAL DIMENSIONS DRAWINGS.
- 2) DIMENSIONS [ ] ARE IN MILLIMETER.
- 3) DIMENSIONS NOTED ARE FOR REFERENCE ONLY.

Third angle projection		
<p>7374 S. EAGLE STREET          CENTENNIAL, CO 80112-4221 USA          TEL: +1-303-699-1135          TOLL FREE: +1-800-456-9012          E MAIL: <a href="mailto:info@sealconusa.com">info@sealconusa.com</a>          WEBSITE: <a href="http://WWW.SEALCONUSA.COM">WWW.SEALCONUSA.COM</a></p>		

4

3

2