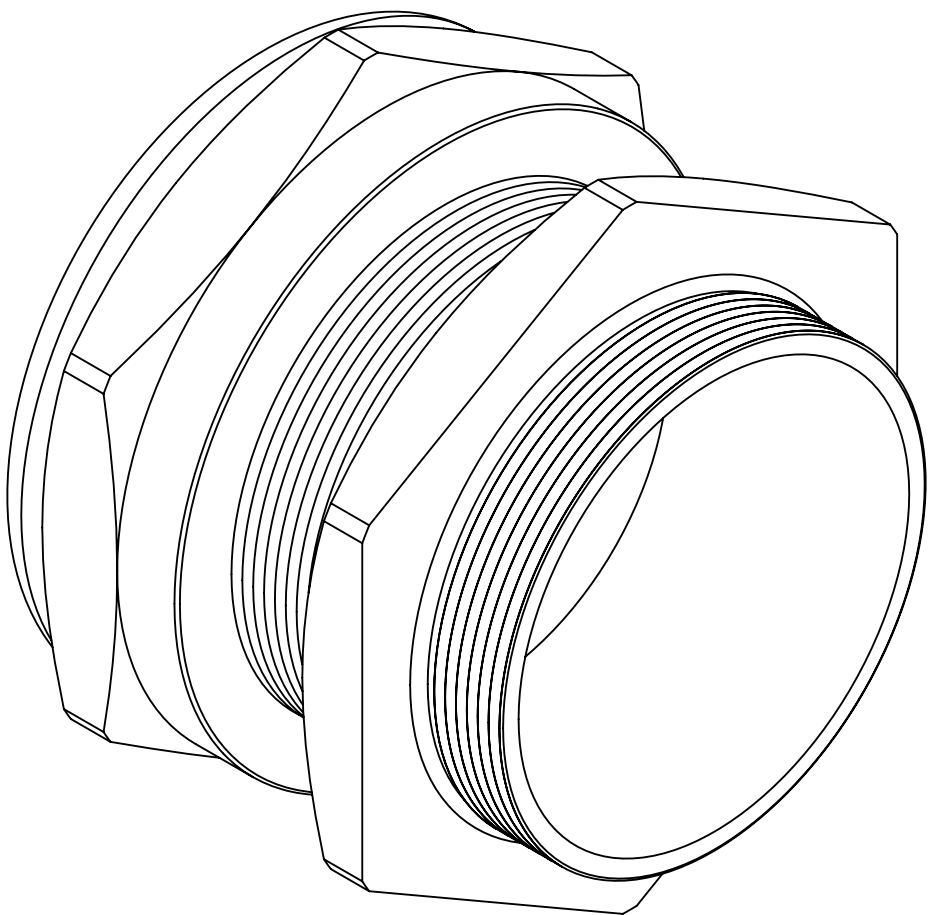
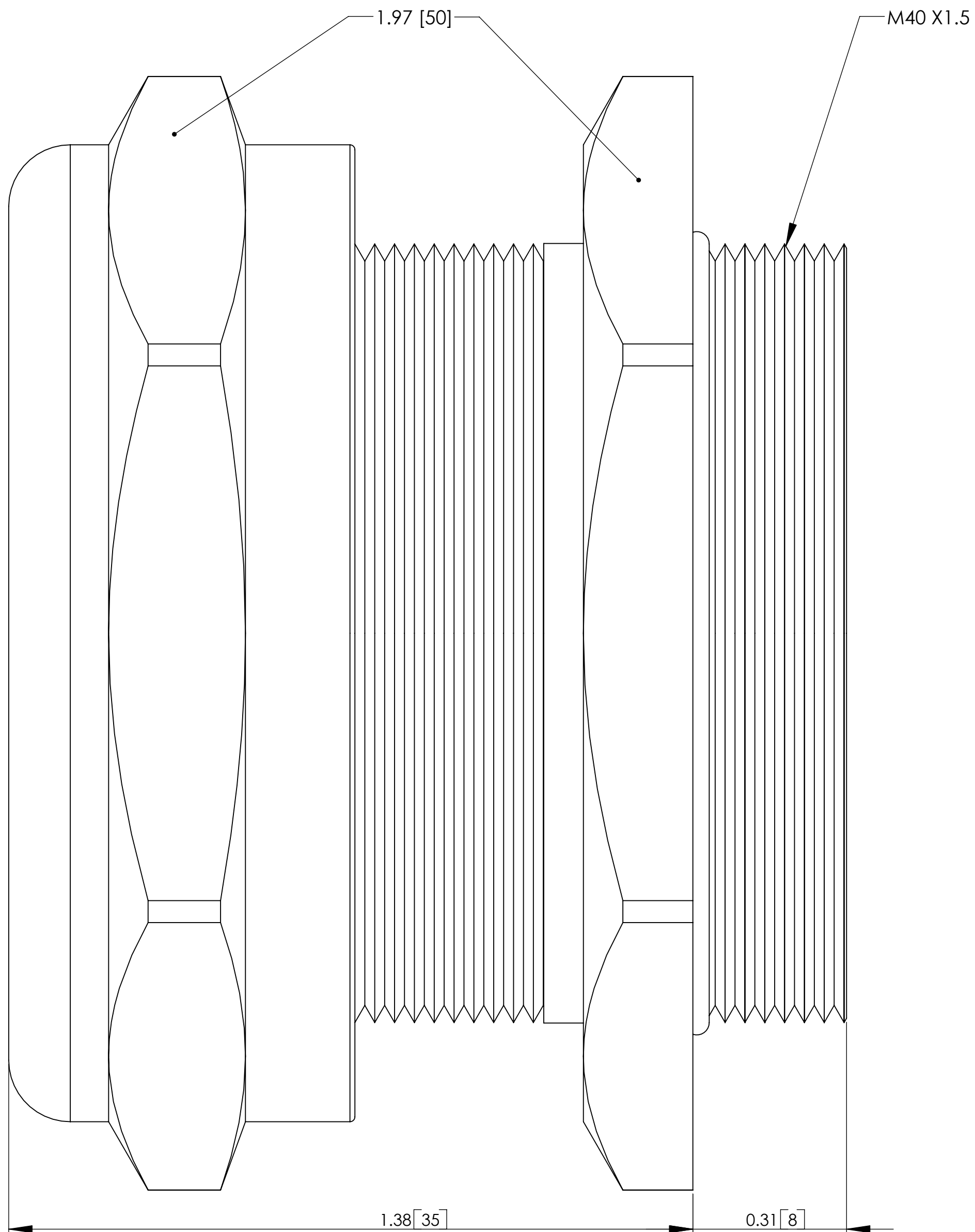


4

3

2

1

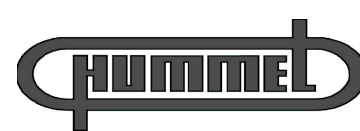


NOTES:

- 1) GENERAL DIMENSIONS DRAWINGS.
- 2) DIMENSIONS [] ARE IN MILLIMETER.
- 3) DIMENSIONS NOTED ARE FOR REFERENCE ONLY.

| | | |
|------------------------|--|--|
| Third angle projection | | |
|------------------------|--|--|

7374 S. EAGLE STREET
 CENTENNIAL, CO 80112-4221 USA
 TEL: +1-303-699-1135
 TOLL FREE: +1-800-456-9012
 E MAIL: info@sealconusa.com
 WEBSITE: WWW.SEALCONUSA.COM



4

3

2

D

C

B

A

D

C

B

A