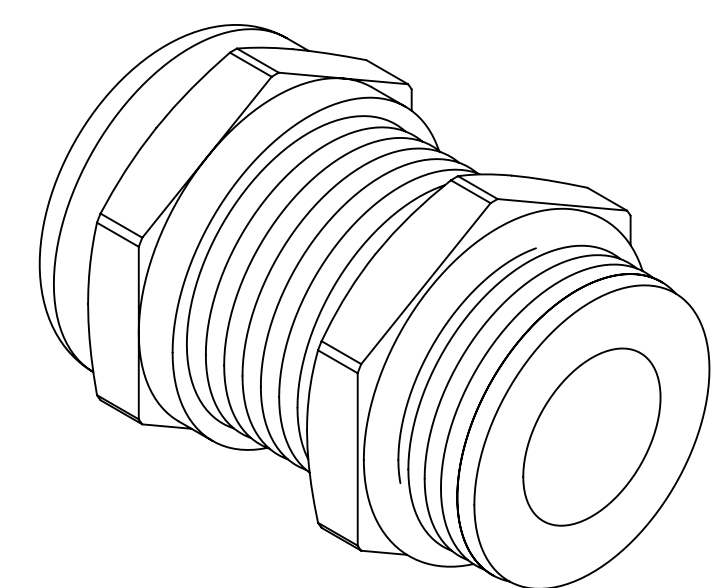
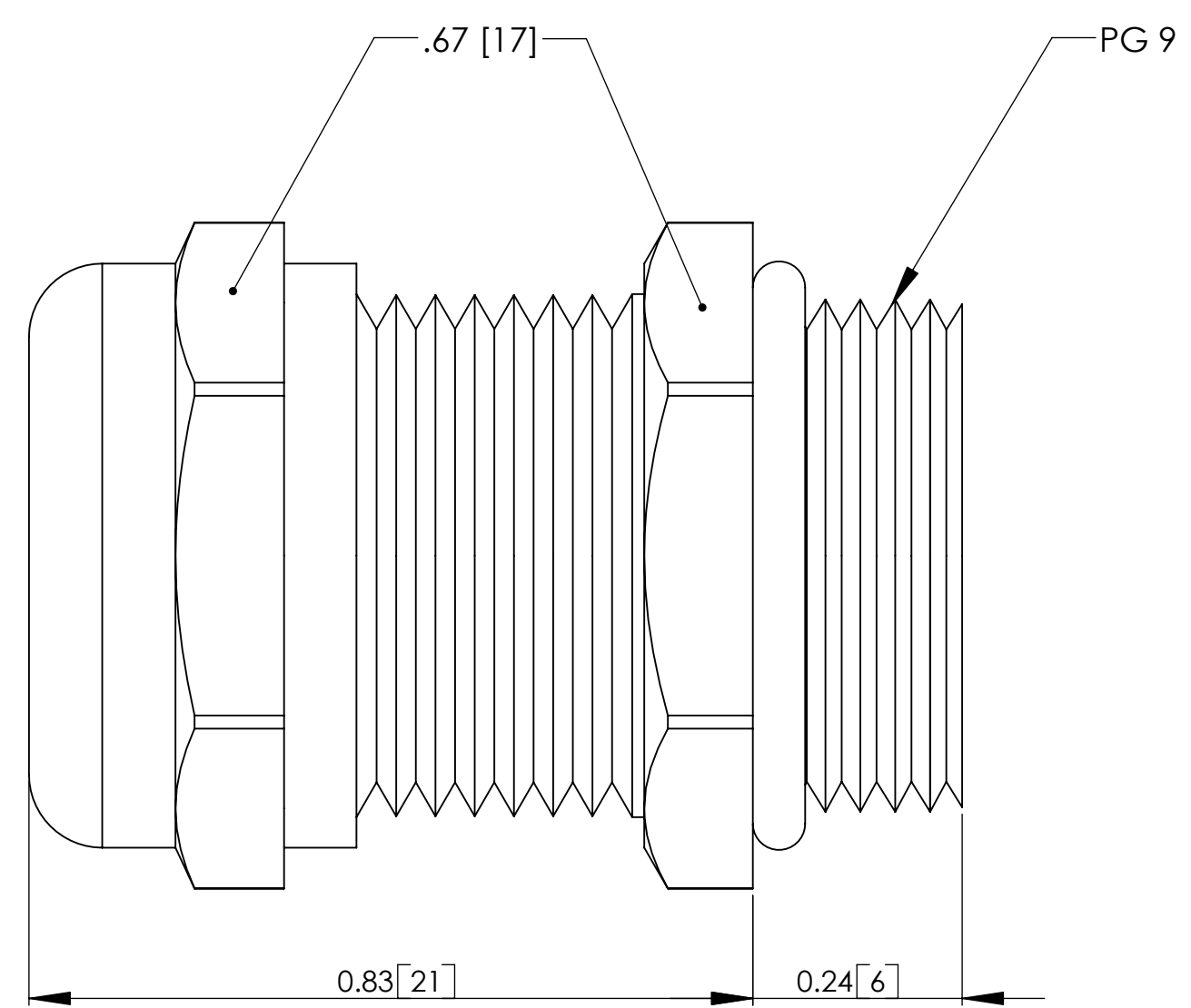


4 3 2 1

D  
C  
B  
A

D  
C  
B



- NOTES:
- 1) GENERAL DIMENSIONS DRAWINGS.
  - 2) DIMENSIONS [ ] ARE IN MILLIMETER.
  - 3) DIMENSIONS NOTED ARE FOR REFERENCE ONLY.

Third angle projection		
14853 E HINDSDALE AVE, SUITE d CENTENNAIL, CO 80112-4240, USA TEL: +1-303-699-1135 TOLL FREE: +1-800-456-9012 E MAIL: <a href="mailto:info@sealconusa.com">info@sealconusa.com</a> WEBSITE: <a href="http://WWW.SEALCONUSA.COM">WWW.SEALCONUSA.COM</a>		

4 3 2