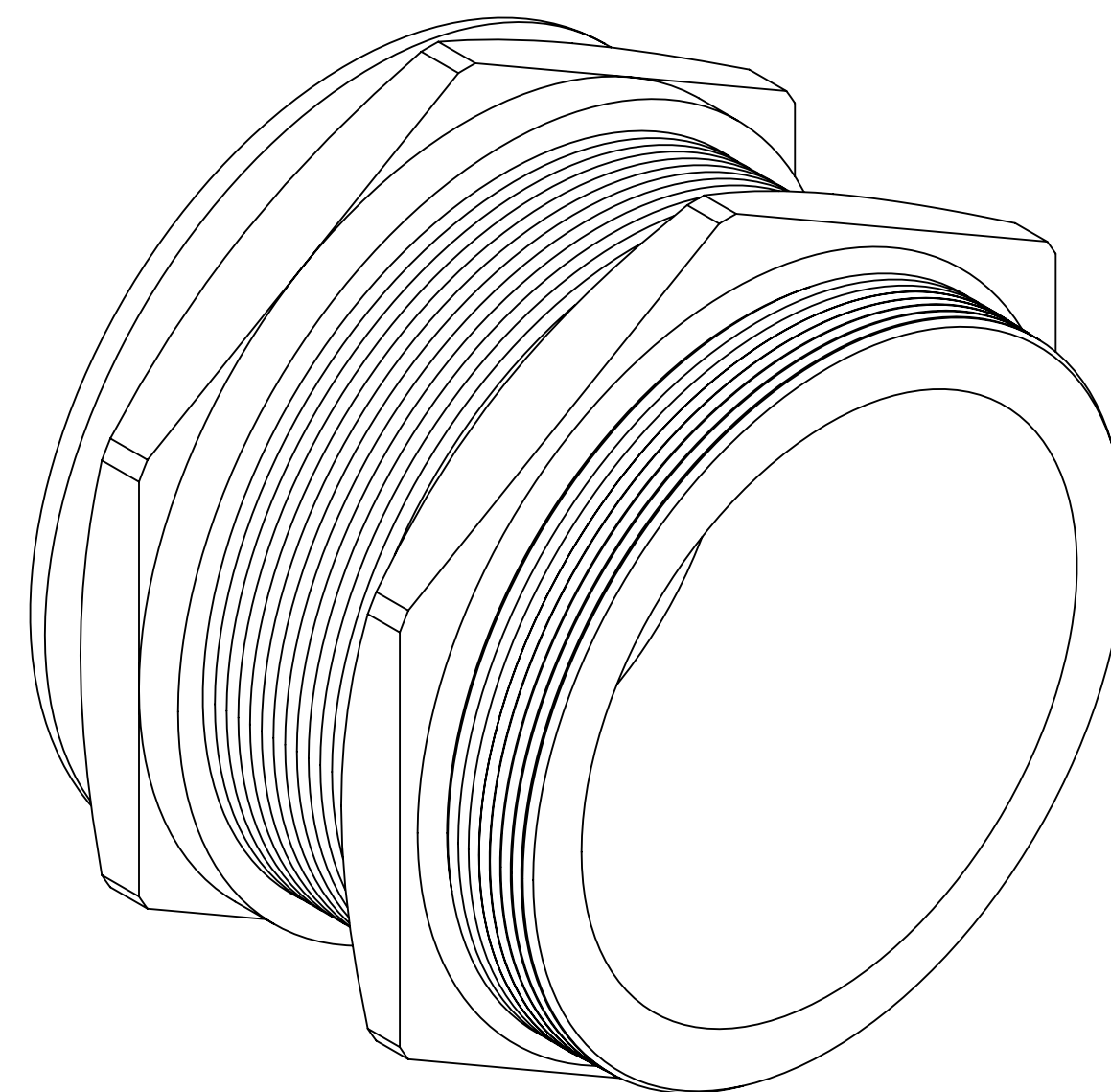
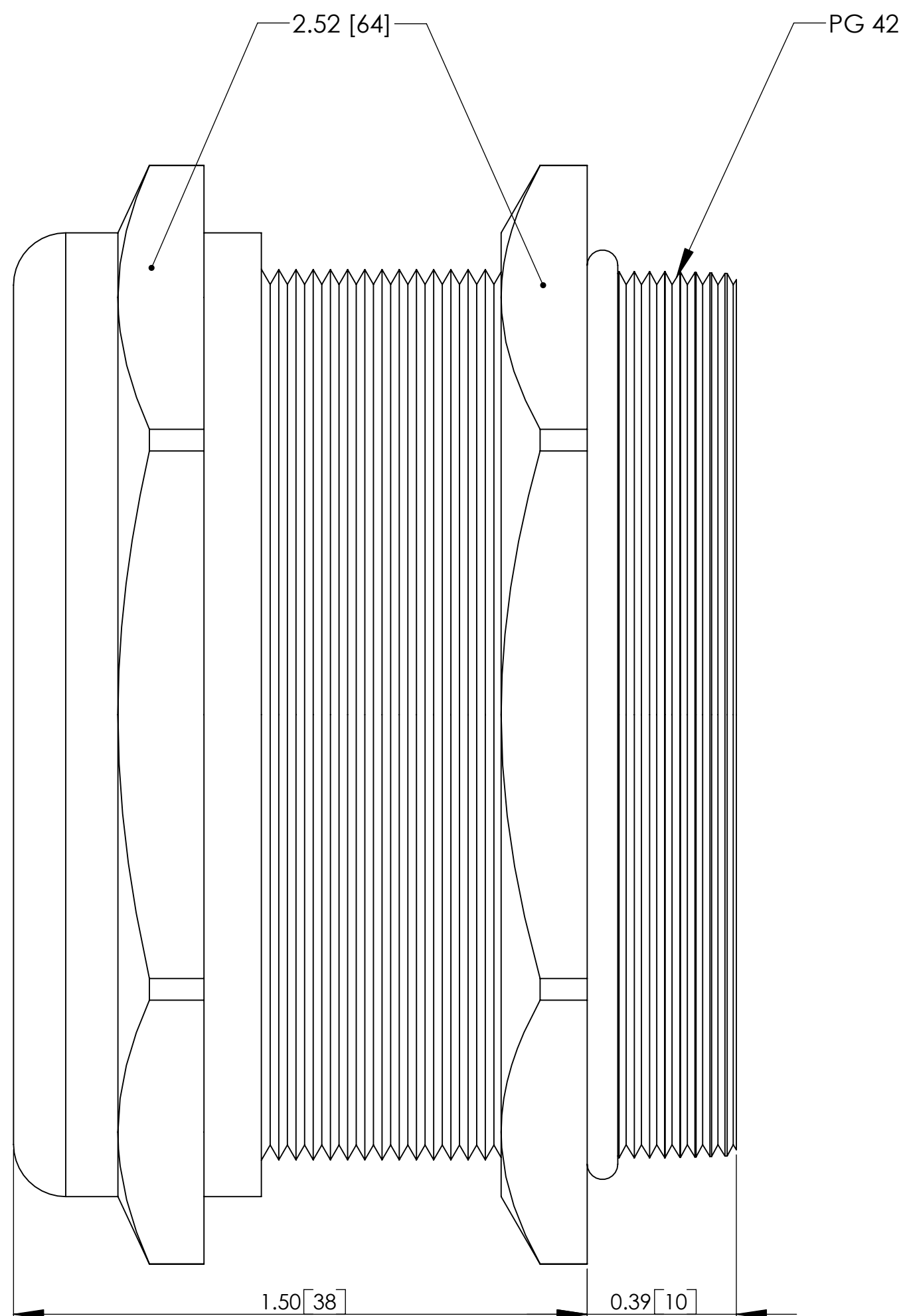


4

3

2

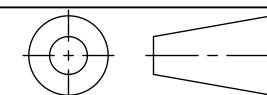
1



NOTES:

- 1) GENERAL DIMENSIONS DRAWINGS.
- 2) DIMENSIONS [] ARE IN MILLIMETER.
- 3) DIMENSIONS NOTED ARE FOR REFERENCE ONLY.

Third angle projection



14853 E HINDSDALE AVE, SUITE d
 CENTENNAIL, CO 80112-4240, USA
 TEL: +1-303-699-1135
 TOLL FREE: +1-800-456-9012
 E MAIL: info@sealconusa.com
 WEBSITE: WWW.SEALCONUSA.COM



4

3

2