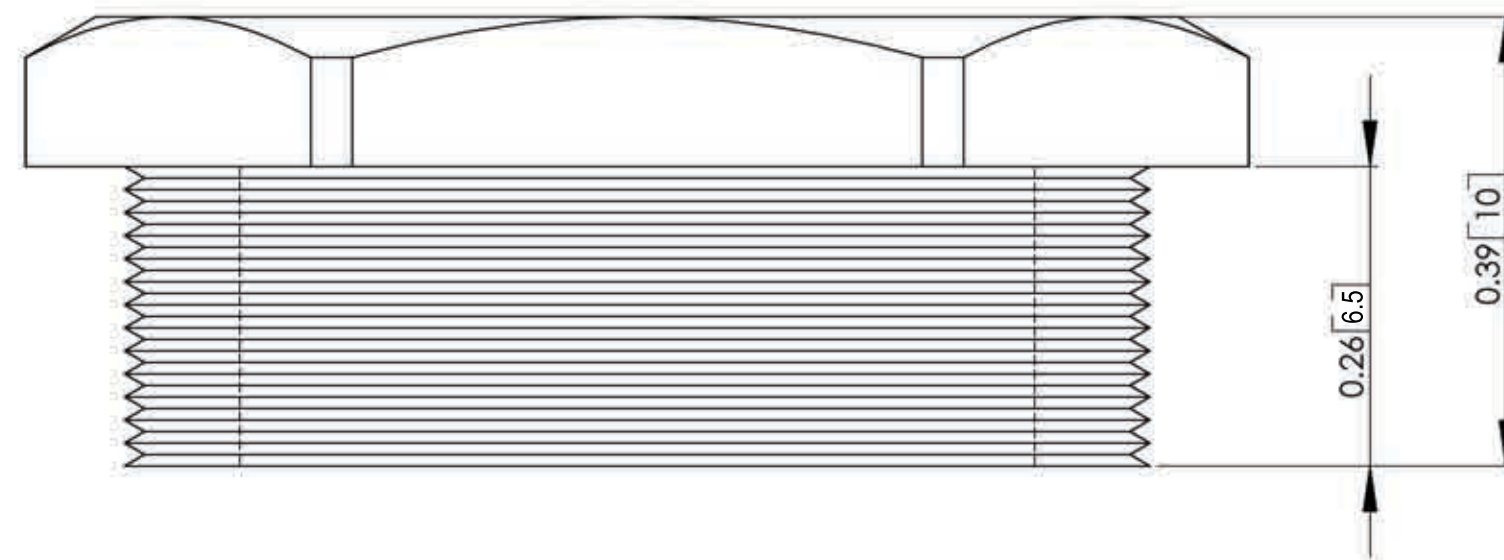
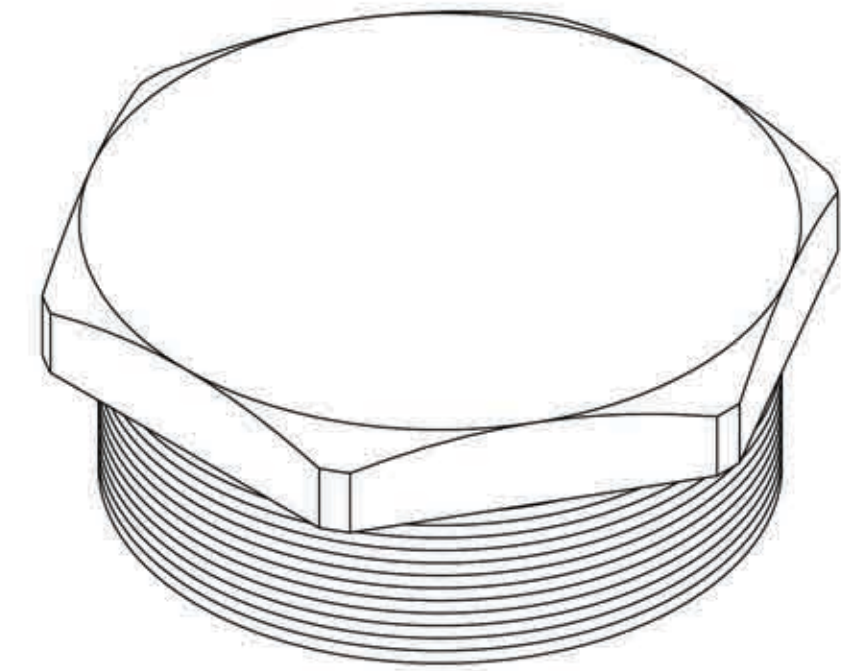
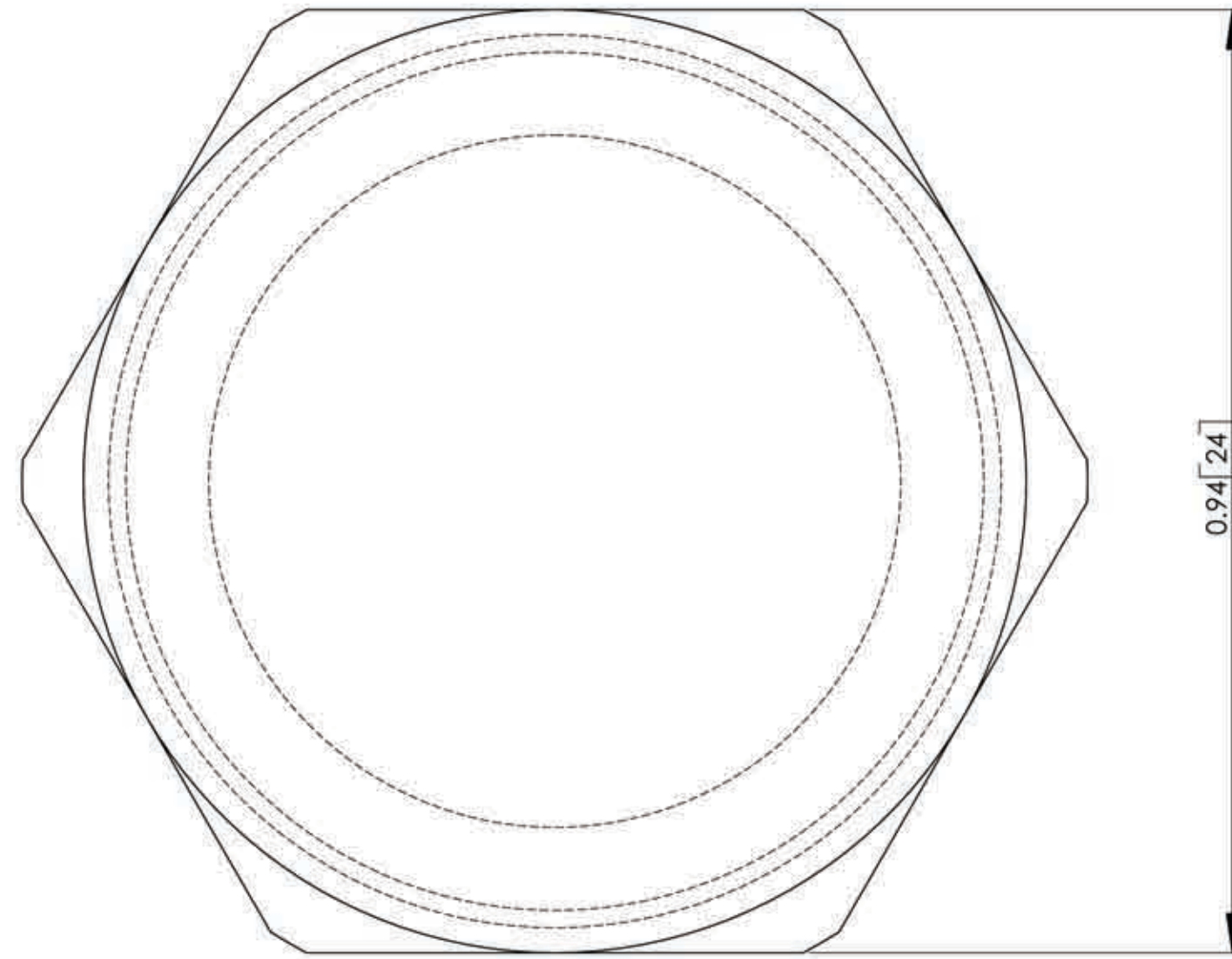


# HP-16-BR



### NOTES:

- 1) GENERAL DIMENSIONS DRAWINGS.
- 2) DIMENSIONS [ ] ARE IN MILLIMETER.
- 3) DIMENSIONS NOTED ARE FOR REFERENCE ONLY.

Third angle projection		
14853 E HINDSDALE AVE, SUITE d CENTENNAIL, CO 80112-4240, USA TEL: +1-303-699-1135 TOLL FREE: +1-800-456-9012 E MAIL: <a href="mailto:info@sealconusa.com">info@sealconusa.com</a> , WEBSITE: <a href="http://WWW.SEALCONUSA.COM">WWW.SEALCONUSA.COM</a>		