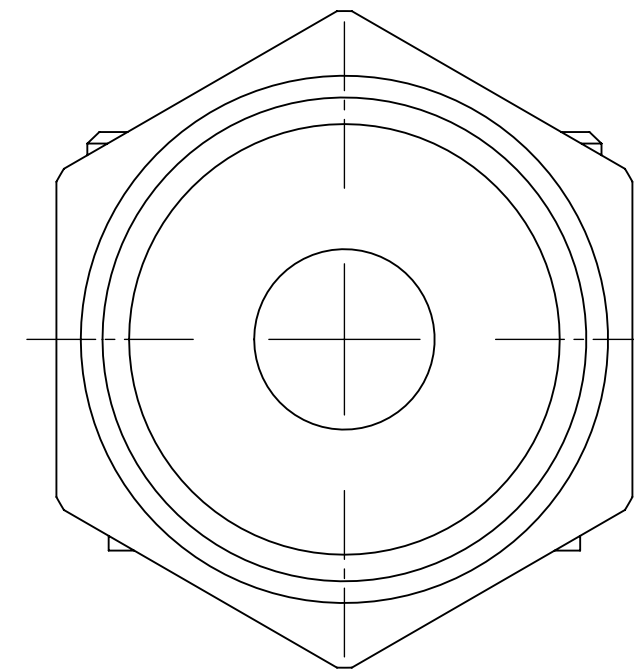
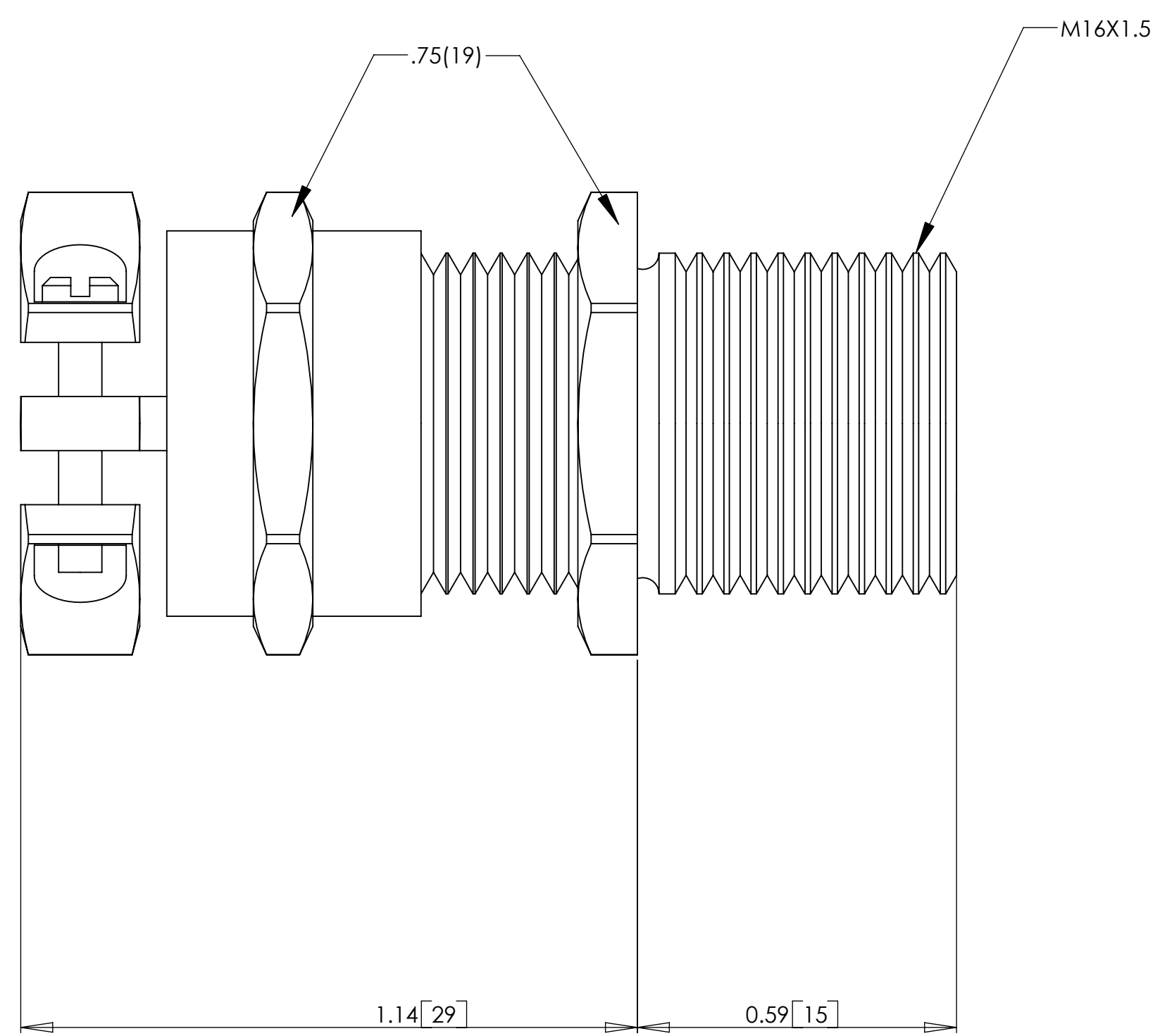
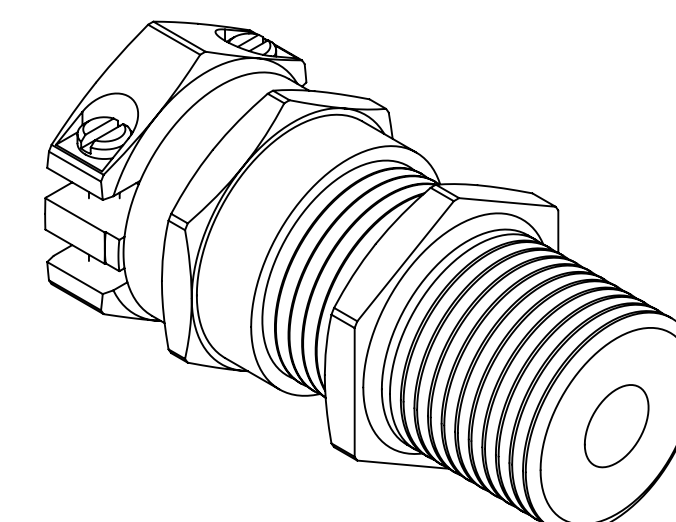


4

3

2

1



- NOTES:
- 1) GENERAL DIMENSIONS DRAWINGS.
 - 2) DIMENSIONS [] ARE IN INCHES.
 - 3) DIMENSIONS NOTED ARE FOR REFERENCE ONLY.

| | | |
|---|--|--|
| Third angle projection | | |
| 14853 E HINDSDALE AVE, SUITE d CENTENNAIL, CO 80112-4240, USA TEL: +1-303-699-1135 TOLL FREE: +1-800-456-9012 E MAIL: info@sealconusa.com WEBSITE: WWW.SEALCONUSA.COM | | |
| | | |

4

3

2

D

D

C

C

B

B

A