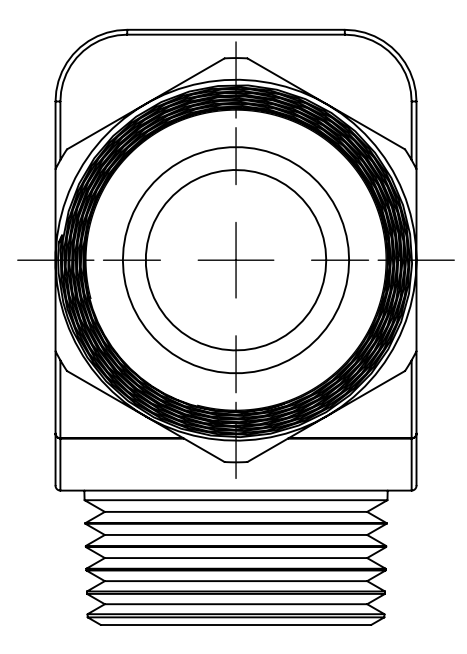
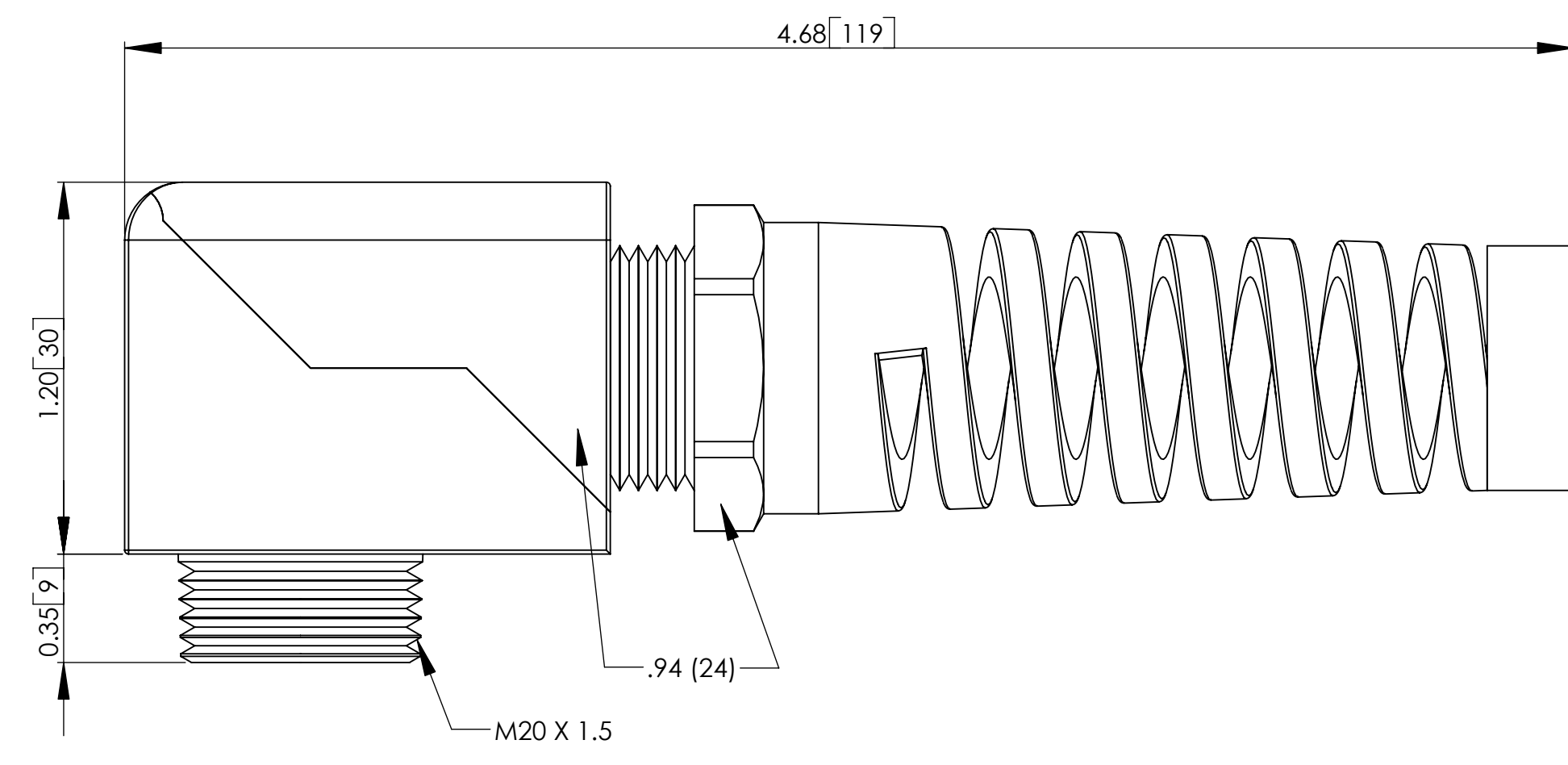
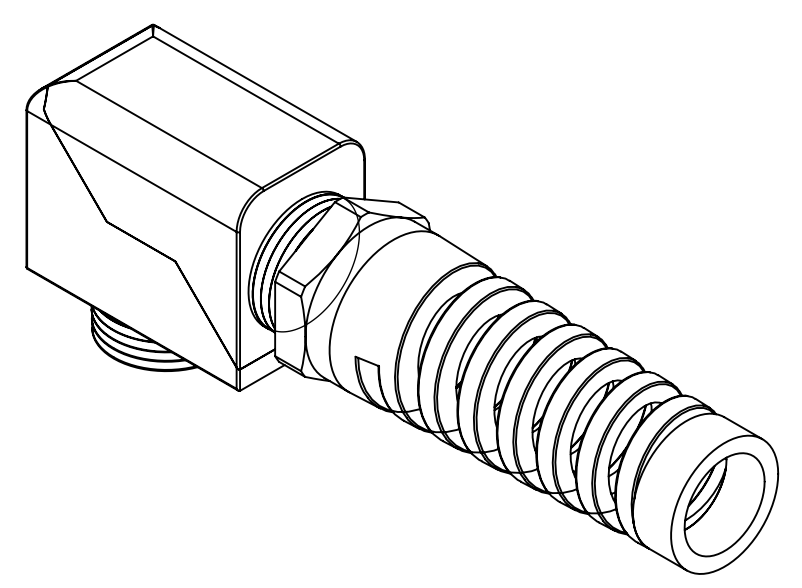


4 3 2 1

D
C
B
A

D
C
B



- NOTES:
- 1) GENERAL DIMENSIONS DRAWINGS.
 - 2) DIMENSIONS [] ARE IN INCHES.
 - 3) DIMENSIONS NOTED ARE FOR REFERENCE ONLY.

4 3 2

Third angle projection		
14853 E HINDSDALE AVE, SUITE d CENTENNAIL, CO 80112-4240, USA TEL: +1-303-699-1135 TOLL FREE: +1-800-456-9012 E MAIL: info@sealconusa.com WEBSITE: WWW.SEALCONUSA.COM		