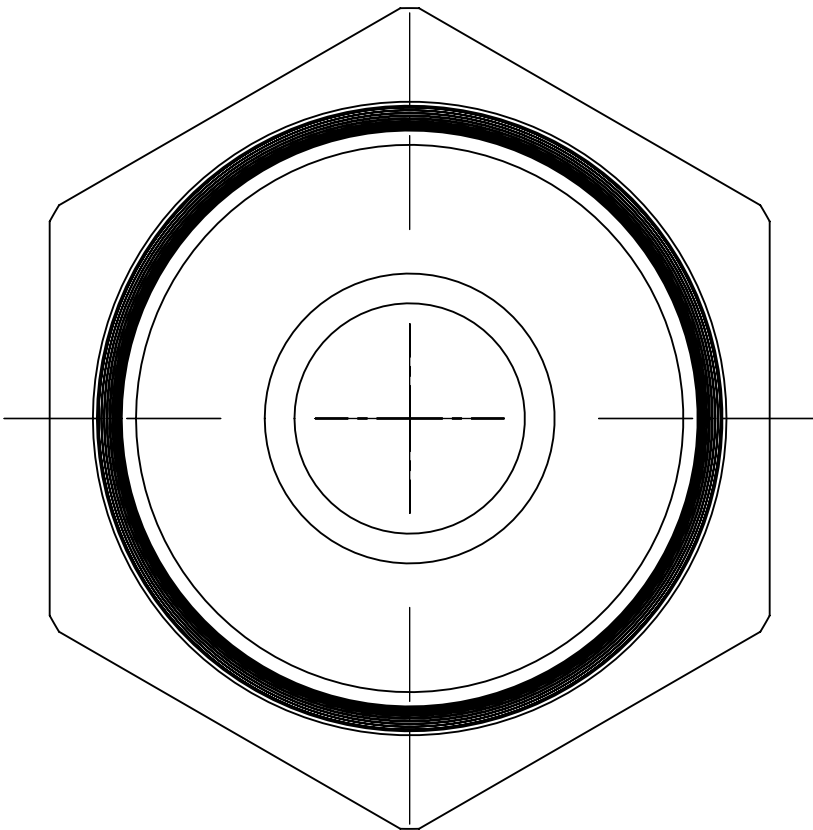
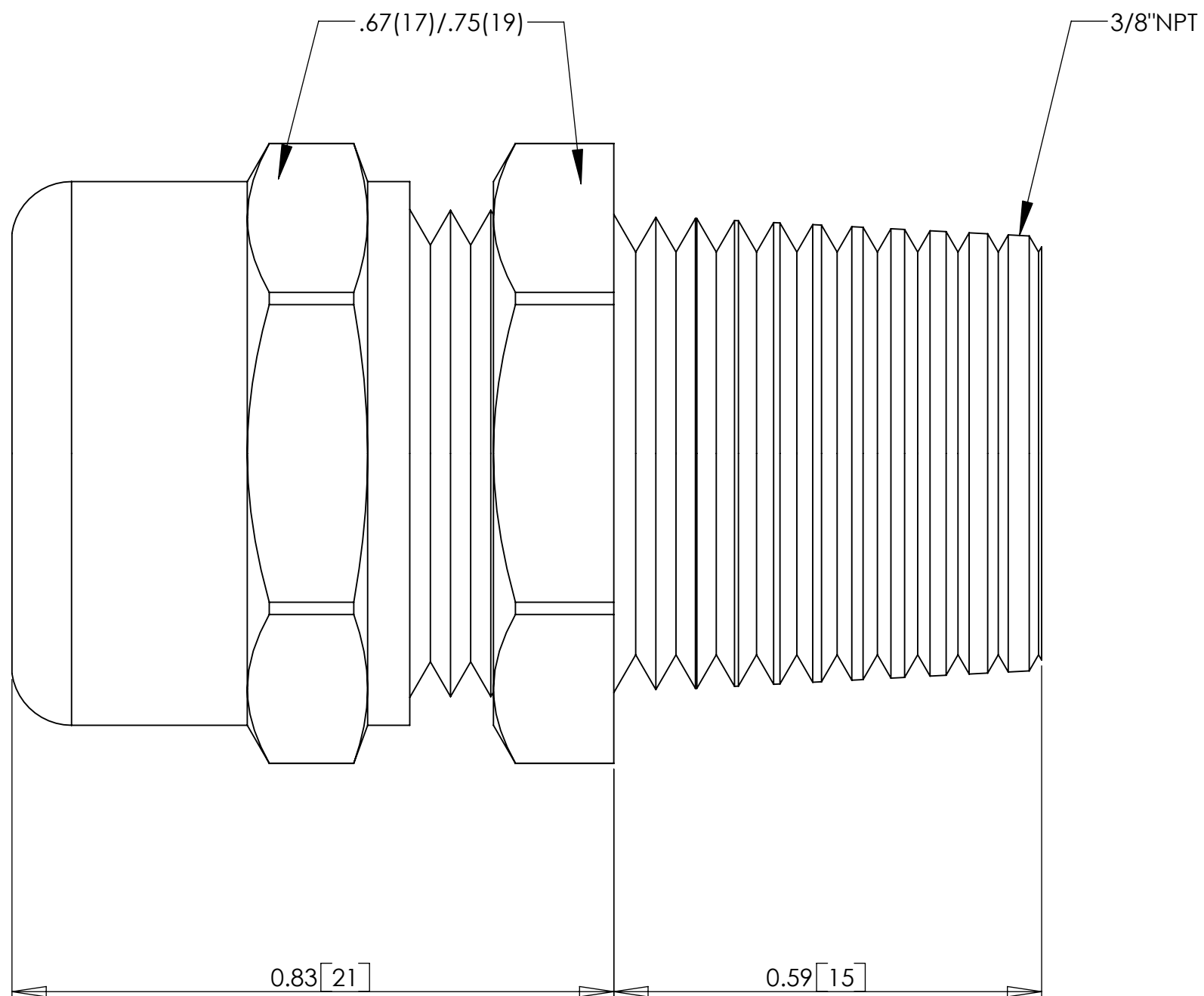
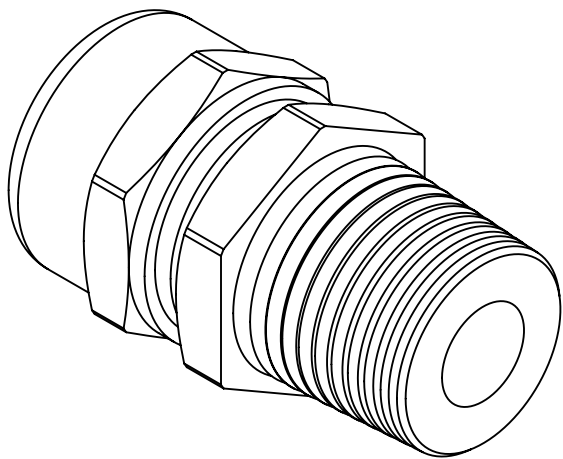


4

3

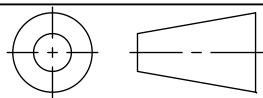
2

1

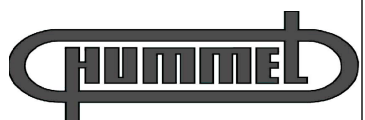


- NOTES:
- 1) GENERAL DIMENSIONS DRAWINGS.
  - 2) DIMENSIONS [ ] ARE IN INCHES.
  - 3) DIMENSIONS NOTED ARE FOR REFERENCE ONLY.

Third angle projection



14853 E HINDSDALE AVE, SUITE d  
 CENTENNAIL, CO 80112-4240, USA  
 TEL: +1-303-699-1135  
 TOLL FREE: +1-800-456-9012  
 E MAIL: [info@sealconusa.com](mailto:info@sealconusa.com),  
 WEBSITE: [WWW.SEALCONUSA.COM](http://WWW.SEALCONUSA.COM)



4

3

2

D

D

C

C

B

B

A

A