

SPECIFICATIONS:

Pressure rating:

150 PSIG (10 BAR) NEMA 4x and 6
(Submersible) IP68

Materials:

Body & Nut: Nickel Plated Brass

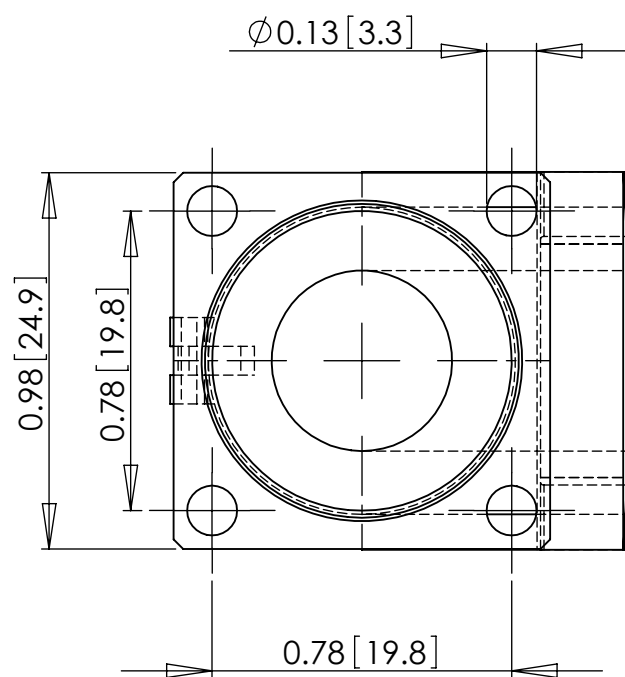
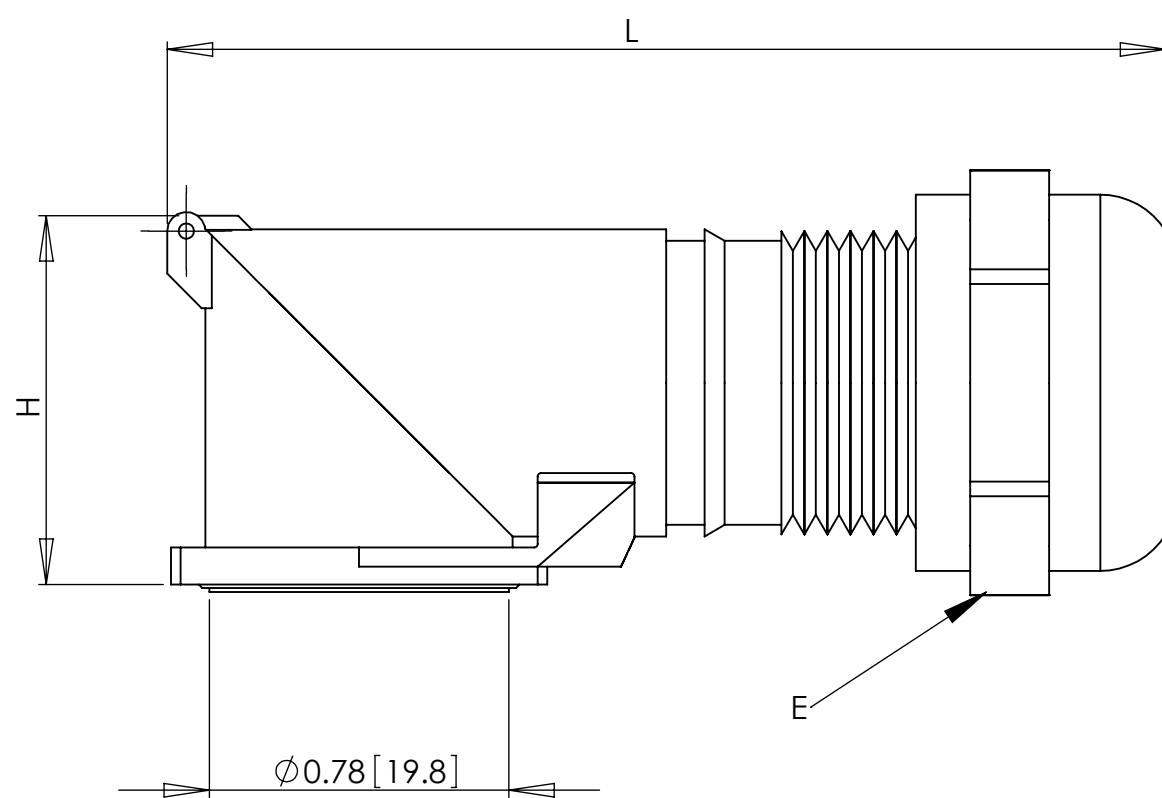
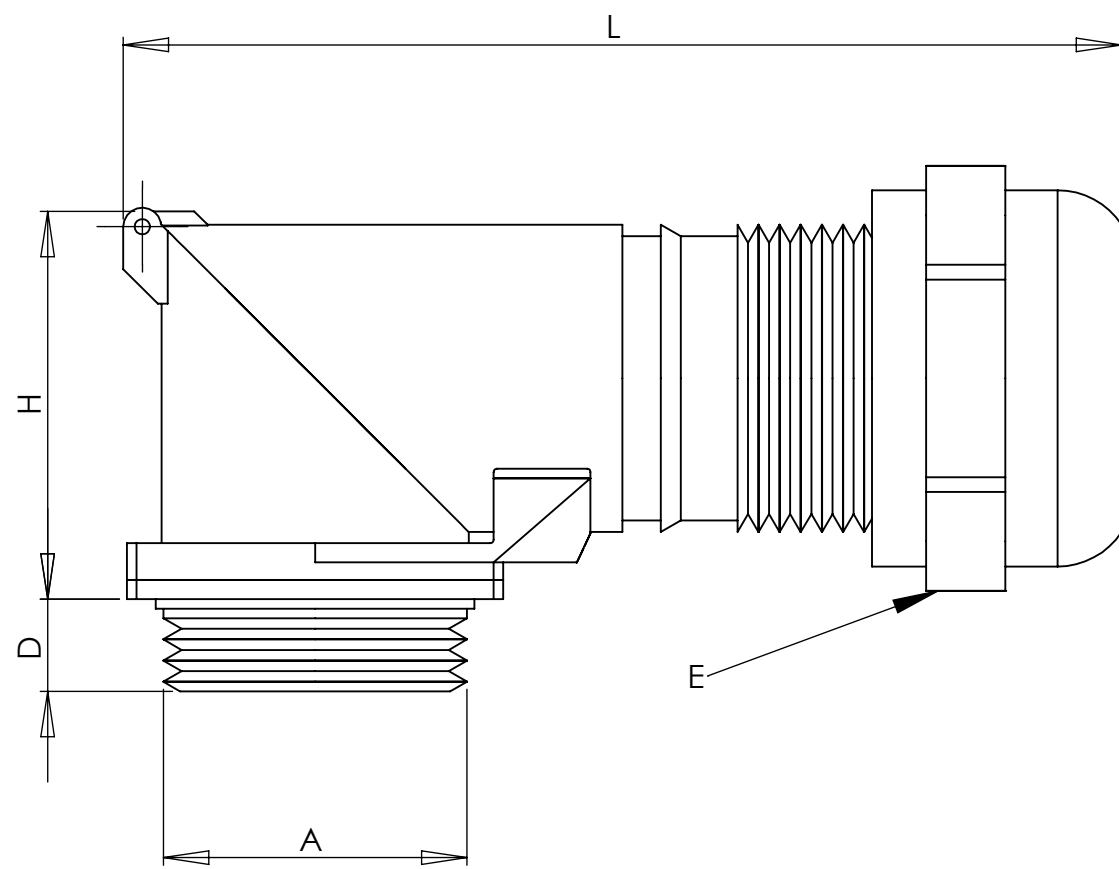
Splined Bushing: Nylon 6/6

Form Seal: Buna-N

O-Ring(Optional): Buna-N

Operating Temperature:

-40°F to 212°F (-40°C to 100°C)



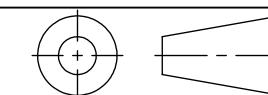
PART NUMBERS		CABLE RANGE inches (mm)	THREAD TYPE AND SIZE For thread specs see page 29	DIMENSIONS INCHES (MM)				
with Mounting Flange				A Clearance Hole $+0.010^{\circ}$ 0	H Body Height Fittings	L Body Length Fittings	D Thread Length Fittings	E Wrenching Flat
ED20FA-BR ED20FR-BR		.39 - .55 (10 - 14) .28 - .47 (7 - 12)	Flange	.78 (20)	1.30 (33)	2.60(66)	NA	.98 (25)

PART NUMBERS		CABLE RANGE inches (mm)	THREAD TYPE AND SIZE For thread specs see page 29	DIMENSIONS INCHES (MM)				
with Connection Thread				A Clearance Hole $+0.010^{\circ}$ 0	H Body Height Fittings	L Body Length Fittings	D Thread Length Fittings	E Wrenching Flat
ED20MA-BR ED20MR-BR		.39 - .55 (10 - 14) .28 - .47 (7 - 12)	M20 x 1,5	.79 (20)	1.30 (33)	2.60 (66)	.24 (6)	.98 (25)
ED13AA-BR ED13AR-BR		.39 - .55 (10 - 14) .28 - .47 (7 - 12)	PG 13,5	.80 (20.3)	1.30 (33)	2.60 (66)	.24 (6)	.98 (25)

NOTES:

- 1) GENERAL DIMENSIONS DRAWINGS.
- 2) DIMENSIONS [] ARE IN INCHES.
- 3) DIMENSIONS NOTED ARE FOR REFERENCE ONLY.

Third angle projection



7374 S. EAGLE STREET
CENTENNIAL, CO 80112-4221 USA
TEL: +1-303-699-1135
TOLL FREE: +1-800-456-9012
E MAIL: info@sealconusa.com,
WEBSITE: www.sealconusa.com

