

SPECIFICATIONS:

Pressure rating:

150 PSIG (10 BAR) NEMA 4X and 6
(Submersible) IP68

Materials:

Body, Dome Nut: Nickel plated brass
Spring (Flex extension): Stainless Steel
Splined Bushing: Nylon 6/6
Form Seal & O-Ring: Buna-N (Viton® optional)

Operating Temperature:

-40°F to 212°F (-40°C to 100°C)
Short term exposure: 248°F (120°C)

Note 1: To Substitute a different thread type replace the 5th position with the following: "A" PG Thread, "N" NPT Thread, "M" Metric Thread. e.g. CD09N1-BK becomes CD09A1-BK.

Note 2: Not available in Nickel Plated Brass with NPT Threads

To Specify Non-Listed Parts:

• **Strain Relief Fittings with Flex Nut**

Substitute "F" for "D" e.g. CD09N1-BK becomes CF09N1-BK.

• **Snap Elbow Fittings with Dome Nut**

Substitute "E" for "C" e.g. CD09N1-BK becomes ED09N1-BK.

• **Snap Elbow Fittings with Flex Nut**

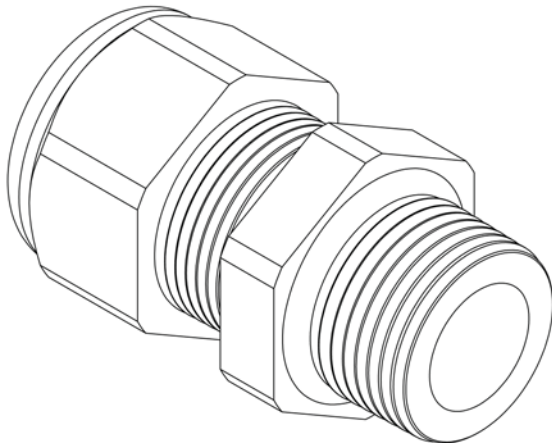
Substitute "EF" for "CD" e.g. CD09N1-BK becomes EF09N1-BK.

• **Nickel Plated Brass Strain Relief Fittings**

Substitute "BR" for "BK" e.g. CD09N1-BK becomes CD09N1-BR.

• **Gray Strain Relief Fittings**

Substitute "GY" for "BK" e.g. CD09N2-BK becomes CD09N2-GY.



Part Numbers		Thread Type & Size	Dimensions in Inches (mm)				
Black	Gray		No. of holes	Diameter of Holes	Part Numbers of Inserts only		
		See page 49 for thread specs					
			mm	Inches			
CD07AP-BK	CD07AP-GY	PG 7 / 1/4" NPT	Solid Insert		1.089.0799.19		
CD09N1-BK	CD09N1-GY	3/8" NPT	4	1.4	.06	1.089.0900.19	
CD09N2-BK	CD09N2-GY		2	3.0	.12	1.089.0901.19	
CD09N3-BK	CD09N3-GY		5	1.6	.06	1.089.0902.19	
CD09N4-BK	CD09N4-GY		2	1.7	.07	1.089.0903.19	
CD09N5-BK	CD09N5-GY		10	1.4	.06	1.089.0904.19	
CD09N6-BK	CD09N6-GY		6	1.4	.06	1.089.0905.19	
CD09N7-BK	CD09N7-GY		3	1.7	.07	1.089.0906.19	
CD09N8-BK	CD09N8-GY		4	1.7	.07	1.089.0907.19	
CD09N9-BK	CD09N9-GY		4	2.3	.09	1.089.0908.19	
CD09NP-BK	CD09NP-GY		Solid Insert		1.089.0999.19		
CD13N1-BK	CD13N1-GY		1/2" NPT	3	2.0	.08	1.089.1300.19
CD13N2-BK	CD13N2-GY			6	3.0	.12	1.089.1301.19
CD13N3-BK	CD13N3-GY			3	4.0	.16	1.089.1302.19
CD13N4-BK	CD13N4-GY			2	5.0	.20	1.089.1303.19
CD13N5-BK	CD13N5-GY	3		3.0	.12	1.089.1304.19	
CD13N6-BK	CD13N6-GY	2		5.2	.20	1.089.1305.19	
CD13N7-BK	CD13N7-GY	2		3.8	.15	1.089.1306.19	
CD13N8-BK	CD13N8-GY	2		4.2	.17	1.089.1307.19	
CD13N9-BK	CD13N9-GY	2		2.5	.10	1.089.1308.19	
CD13NP-BK	CD13NP-GY	Solid Insert		1.089.1399.19			
CD16N1-BK	CD16N1-GY	1/2" NPT (Enlarged)	3	3.0	.12	1.089.1600.19	
CD16N2-BK	CD16N2-GY		3	4.0	.16	1.089.1601.19	
CD16N3-BK	CD16N3-GY		4	4.0	.16	1.089.1602.19	
CD16N4-BK	CD16N4-GY		5	4.0	.16	1.089.1603.19	
CD16N5-BK	CD16N5-GY		6	4.0	.16	1.089.1604.19	
CD16N6-BK	CD16N6-GY		2	6.0	.24	1.089.1605.19	
CD16N7-BK	CD16N7-GY		3	5.6	.22	1.089.1606.19	
CD16N8-BK	CD16N8-GY		6	3.0	.12	1.089.1607.19	
CD16N9-BK	CD16N9-GY		4	3.0	.12	1.089.1610.19	
CD16N0-BK	CD16N0-GY		6	3.8	.15	1.089.1609.19	
CD16NP-BK	CD16NP-GY	Solid Insert		1.089.1699.19			

*Note: UL F1 rating applies to Black Nylon Fittings only.

*Note: This Insert has slotted holes.

Part Numbers		Thread Type & Size	Dimensions in Inches (mm)			
Black	Gray		No. of Holes	Diameter of Holes	Part Numbers of Inserts only	
		See page 49 for thread specs				
			mm	Inches		
CD21N1-BK	CD21N1-GY	3/4" NPT	4	6.0	.24	1.089.2100.19
CD21N2-BK	CD21N2-GY		3	7.0	.28	1.089.2101.19
CD21N3-BK	CD21N3-GY		2	8.0	.31	1.089.2102.19
CD21N4-BK	CD21N4-GY		4	5.0	.20	1.089.2103.19
CD21N5-BK	CD21N5-GY		1	8.0	.31	1.089.2104.19
CD21N6-BK	CD21N6-GY		4	5.2	.20	1.089.2105.19
CD21N7-BK	CD21N7-GY		3	5.2	.20	1.089.2106.19
CD21N8-BK	CD21N8-GY		4/1	5.2/3.7	.20/.15	1.089.2107.19
CD21N9-BK	CD21N9-GY		2	7.4	.29	1.089.2108.19
CD21NP-BK	CD21NP-GY		Solid Insert		1.089.2199.19	
CD29N1-BK	CD29N1-GY	1" NPT	6	6.5	.26	1.089.2900.19
CD29N2-BK	CD29N2-GY		4	9.0	.35	1.089.2901.19
CD29N3-BK	CD29N3-GY		4	9.5	.37	1.089.2902.19
CD29NP-BK	CD29NP-GY		Solid Insert		1.089.2999.19	
CD29L1-BK	CD29L1-GY	1-1/4" NPT	6	6.5	.26	1.089.2900.19
CD29L2-BK	CD29L2-GY		4	9.0	.35	1.089.2901.19
CD29L3-BK	CD29L3-GY		4	9.5	.37	1.089.2902.19
CD29LP-BK	CD29LP-GY		Solid Insert		1.089.2999.19	
CD36N1-BK	CD36N1-GY	1-1/2" NPT	5	9.0	.35	1.089.3600.19
CD36N2-BK	CD36N2-GY		7	9.0	.35	1.089.3601.19
CD36N3-BK	CD36N3-GY		6	8.0	.31	1.089.3602.19
CD36N4-BK	CD36N4-GY		2	15.0	.59	1.089.3603.19
CD36NP-BK	CD36NP-GY		Solid Insert		1.089.3699.19	



NOTES:

- 1) GENERAL DIMENSIONS DRAWINGS.
- 2) DIMENSIONS [] ARE IN INCHES.
- 3) DIMENSIONS NOTED ARE FOR REFERENCE ONLY.



14853 HINDSDALE AVE, SUITE D
CENTENNIAL, CO 80112-4240, USA
TEL: +1-303-699-1135
TOLL FREE: +1-800-456-9012
E MAIL: info@sealconusa.com
WEBSITE: www.sealconusa.com

