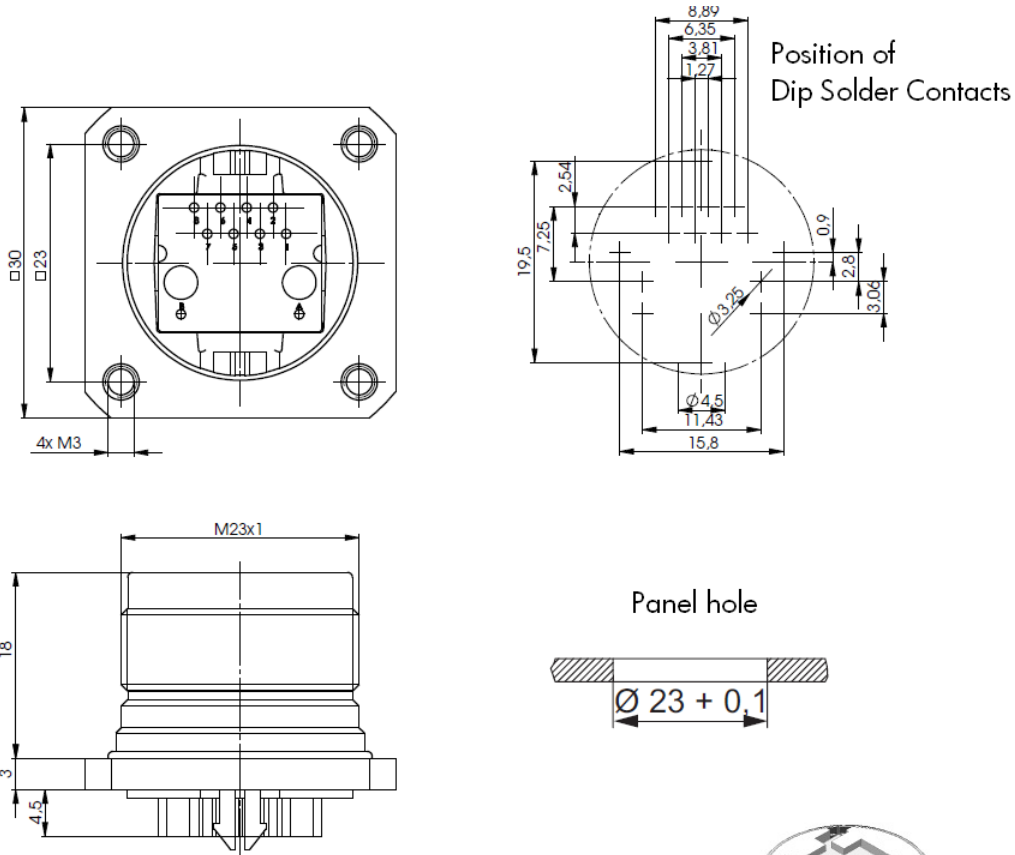
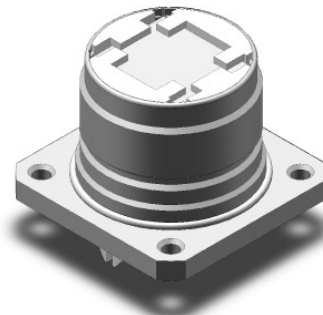


Datasheet

Panel connector, M23 RJ45 Ex-i, 8pole for PCB,
rear mounting, flange, 4 x M3
Item-No. 7R450408700



BVS 11 ATEX E 177
-20 °C ≤ Ta ≤ +80 °C
I M1 Ex ia I Ma
II 1 G Ex ia IIC T4 Ga
 7R45008700



Technical Data

Housing	Brass Alloy
Housing Surface	Nickel plated (3-5µm)
Inserts	PBT, PA 6 (V0-material)
Sealings	NBR
Temperature Range	-20° C to + 80° C
Protection	IP 68 5bar per DIN 40050 (connected)
Cable-Ø	4-7 mm
Category	Cat. 6
Connection 1	RJ 45
Connection 2	RJ 45
Mating cycles	> 750