

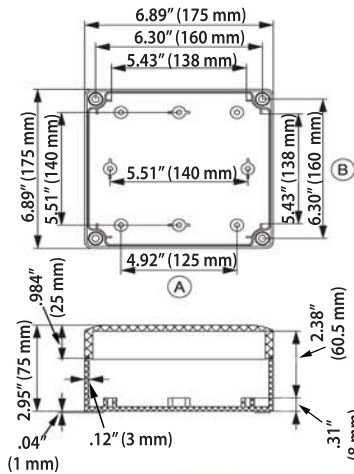
Solar PLUS Enclosure in PC

6.89" x 6.89" x 2.95" (175 x 175 x 75 mm)



Polycarbonate	Part Number
Smoked glass cover with metric knockouts, A: 8 x M16, 1 x M12 C: 8 x M16, 1 x M12 Breather valve mounted	3.100.0664.57

Accessories	Part Number
Mounting plate, 1,5 mm thick, galvanized steel	3.120.0560.69
DIN Rail, DIN 35	3.120.0561.13



Assembly and machining services of your enclosures are available upon request.
Drawings with additional dimensions can be furnished upon request.

Cover screws and assembly screws are included.

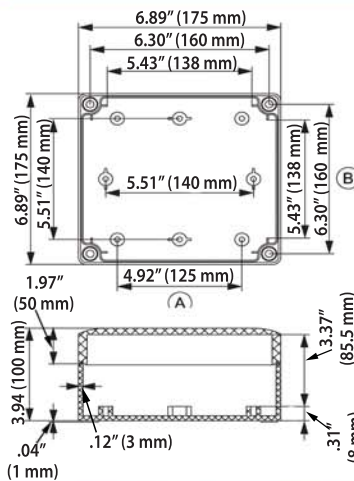
Additional accessories on page 33.

6.89" x 6.89" x 3.94" (175 x 175 x 100 mm)



Polycarbonate	Part Number
Smoked glass cover with metric knockouts, A: 8 x M16, 1 x M12 C: 8 x M16, 1 x M12 Breather valve mounted	3.100.0664.64

Accessories	Part Number
Mounting plate, 1,5 mm thick, galvanized steel	3.120.0560.69
DIN Rail, DIN 35	3.120.0561.13



Assembly and machining services of your enclosures are available upon request.
Drawings with additional dimensions can be furnished upon request.

Cover screws and assembly screws are included.

Additional accessories on page 33.