

OEM Enclosures – PC or ABS

Series 11 with plain Sides

The enclosures are manufactured using the highest grade Thermoplastics, Polycarbonate, and ABS for demanding OEM applications. e.g. protecting electronic - & pneumatic components.

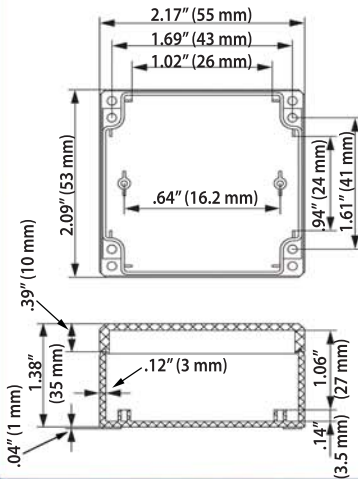
The following approved enclosures are available upon request:

Technical Information	Polycarbonate	ABS
Protection EN 60529	IP 66 / 67	IP 66 / 67
Impact EN 50102 (+35°C / -25°C)	IK 08 / IK 08	IK 07 / IK 06
Temperature range	-50°C...+100°C	-40°C...+60°C
Fire resistance per UL 94	V-2	HB
Standard color	Grey RAL 7035	Grey RAL 7035
Transparent cover	Polycarbonate	Polycarbonate
Gasket	PUR (Polyurethane)	PUR (Polyurethane)
Cover screws	Stainless steel DIN X6Cr17	Stainless steel DIN X6Cr17



Small Enclosures made of Polycarbonate or ABS

2.09 x 2.17 x 1.42" (53 x 55 x 36 mm)



Polycarbonate	Part Number
Grey cover	3.110.0500.05
Transp. cover*	3.110.0500.12

ABS	Part Number
Grey cover	3.110.0500.29
Transp. cover*	3.110.0500.36

Assembly and machining services of your enclosures are available upon request. Drawings with additional dimensions can be furnished upon request.

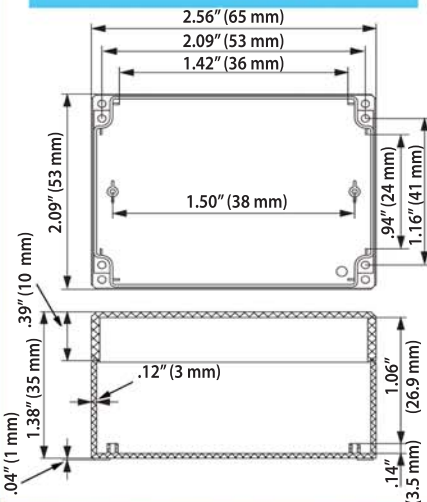
Cover screws, assembly screws and plugs are included.
*Transparent cover always out of Polycarbonate

Accessories	Part Number
DIN Rail, DIN 15	3.110.0509.37



Additional accessories on page 23.

2.09 x 2.56 x 1.42" (53 x 65 x 36 mm)



Polycarbonate	Part Number
Grey cover	3.110.0500.43
Transp. cover*	3.110.0500.50

ABS	Part Number
Grey cover	3.110.0500.67
Transp. cover*	3.110.0500.74

Assembly and machining services of your enclosures are available upon request. Drawings with additional dimensions can be furnished upon request.

Cover screws, assembly screws and plugs are included.
*Transparent cover always out of Polycarbonate

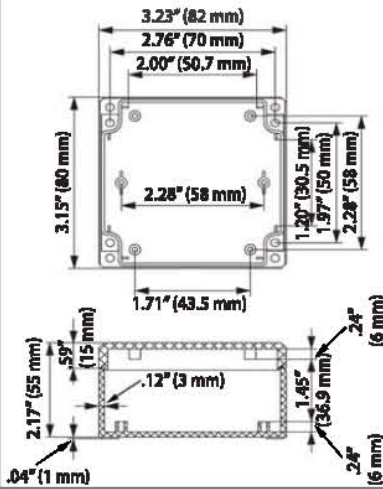
Accessories	Part Number
DIN Rail, DIN 15	3.110.0509.44



Additional accessories on page 23.

Small Enclosures made of Polycarbonate or ABS

3.15 x 3.23 x 2.20" (80 x 82 x 56 mm)



Polycarbonate	Part Number
Grey cover	3.110.0500.81
Transp. cover*	3.110.0500.98

Accessories	Part Number
Mounting plate, 1,5 mm thick, galvanized steel	3.110.0508.21
DIN Rail, DIN 15	3.110.0509.51
DIN Rail, DIN 35	3.110.0509.68

ABS	Part Number
Grey cover	3.110.0501.04
Transp. cover*	3.110.0501.11

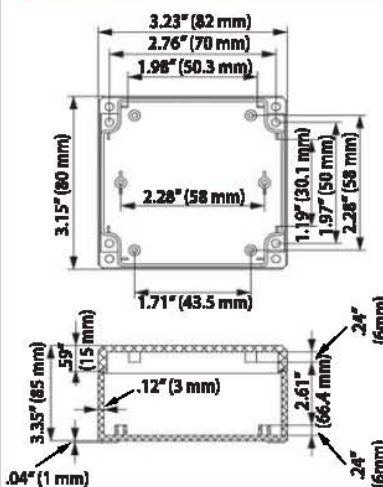


Assembly and machining services of your enclosures are available upon request. Drawings with additional dimensions can be furnished upon request.

Cover screws, assembly screws and plugs are included.
*Transparent cover always out of Polycarbonate

Additional accessories on page 23.

3.15 x 3.23 x 3.39" (80 x 82 x 86 mm)



Polycarbonate	Part Number
Grey cover	3.110.0501.28
Transp. cover*	3.110.0501.35

Accessories	Part Number
Mounting plate, 1,5 mm thick, galvanized steel	3.110.0508.21
DIN Rail, DIN 15	3.110.0509.51
DIN Rail, DIN 35	3.110.0509.68

ABS	Part Number
Grey cover	3.110.0501.42
Transp. cover*	3.110.0501.59



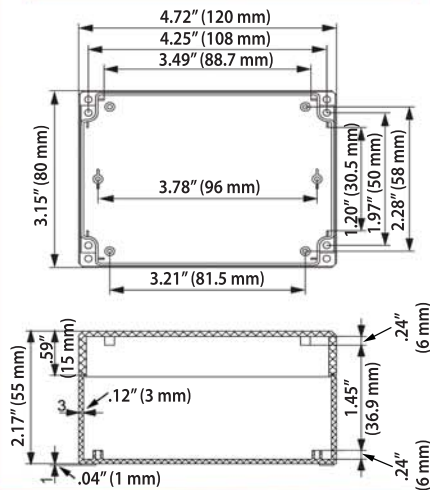
Assembly and machining services of your enclosures are available upon request. Drawings with additional dimensions can be furnished upon request.

Cover screws, assembly screws and plugs are included.
*Transparent cover always out of Polycarbonate

Additional accessories on page 23.

Small Enclosures made of Polycarbonate or ABS

3.15 x 4.72 x 2.20" (80 x 120 x 56 mm)



Polycarbonate	Part Number
Grey cover	3.110.0501.66
Transp. cover*	3.110.0501.73

ABS	Part Number
Grey cover	3.110.0501.80
Transp. cover*	3.110.0501.97

Assembly and machining services of your enclosures are available upon request. Drawings with additional dimensions can be furnished upon request.

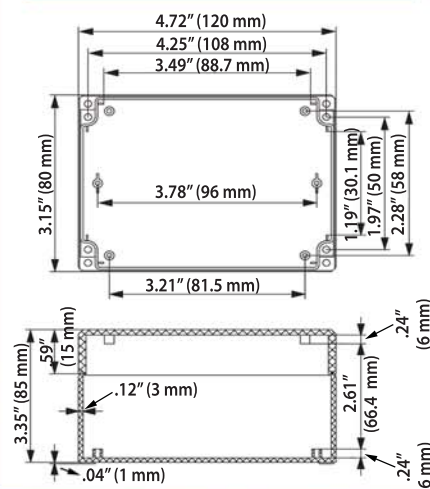
Accessories	Part Number
Mounting plate, 1,5 mm thick, galvanized steel	3.110.0508.38
DIN Rail, DIN 15	3.110.0509.75
DIN Rail, DIN 35	3.110.0509.82



Cover screws, assembly screws and plugs are included.
*Transparent cover always out of Polycarbonate

Additional accessories on page 23.

3.15 x 4.72 x 3.39" (80 x 120 x 86 mm)



Polycarbonate	Part Number
Grey cover	3.110.0502.03
Transp. cover*	3.110.0502.10

ABS	Part Number
Grey cover	3.110.0502.27
Transp. cover*	3.110.0502.34

Assembly and machining services of your enclosures are available upon request. Drawings with additional dimensions can be furnished upon request.

Accessories	Part Number
Mounting plate, 1,5 mm thick, galvanized steel	3.110.0508.38
DIN Rail, DIN 15	3.110.0509.75
DIN Rail, DIN 35	3.110.0509.82

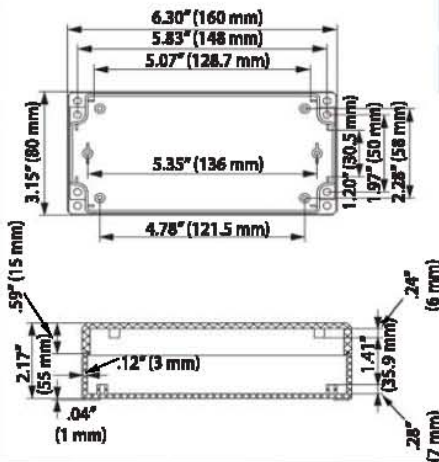


Cover screws, assembly screws and plugs are included.
*Transparent cover always out of Polycarbonate

Additional accessories on page 23.

Small Enclosures made of Polycarbonate or ABS

3.15 x 6.30 x 2.20" (80 x 160 x 56 mm)



Material	Part Number
Polycarbonate	
Grey cover	3.110.0502.41
Transp. cover*	3.110.0502.58
ABS	
Grey cover	3.110.0502.65
Transp. cover*	3.110.0502.72

Accessories	Part Number
Mounting plate, 1,5 mm thick, galvanized steel	3.110.0508.45
DIN Rail, DIN 15	3.110.0509.99
DIN Rail, DIN 35	3.110.0510.02

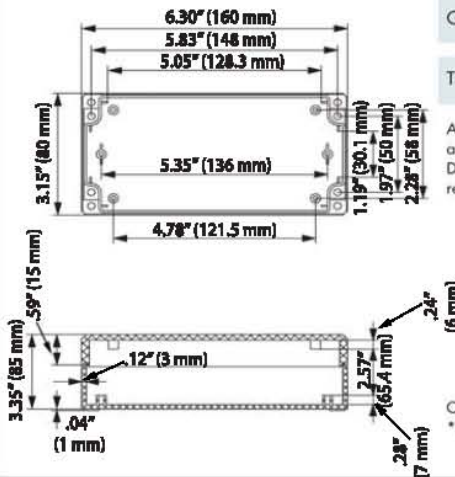
Assembly and machining services of your enclosures are available upon request. Drawings with additional dimensions can be furnished upon request.



Additional accessories on page 23.

Cover screws, assembly screws and plugs are included.
*Transparent cover always out of Polycarbonate

3.15 x 6.30 x 3.39" (80 x 160 x 86 mm)



Material	Part Number
Polycarbonate	
Grey cover	3.110.0502.89
Transp. cover*	3.110.0502.96
ABS	
Grey cover	3.110.0503.02
Transp. cover*	3.110.0503.19

Accessories	Part Number
Mounting plate, 1,5 mm thick, galvanized steel	3.110.0508.45
DIN Rail, DIN 15	3.110.0509.99
DIN Rail, DIN 35	3.110.0510.02

Assembly and machining services of your enclosures are available upon request. Drawings with additional dimensions can be furnished upon request.

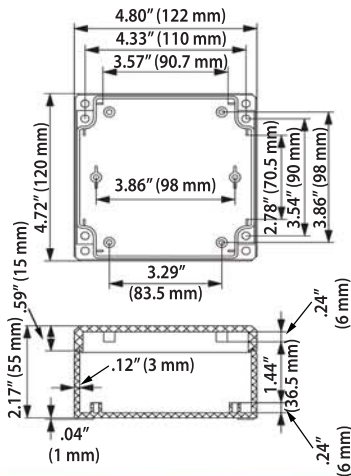


Additional accessories on page 23.

Cover screws, assembly screws and plugs are included.
*Transparent cover always out of Polycarbonate

Small Enclosures made of Polycarbonate or ABS

4.72 x 4.80 x 2.20" (120 x 122 x 56 mm)



Polycarbonate	Part Number
Grey cover	3.110.0503.26
Transp. cover*	3.110.0503.33

ABS	Part Number
Grey cover	3.110.0503.40
Transp. cover*	3.110.0503.57

Accessories	Part Number
Mounting plate, 1,5 mm thick, galvanized steel	3.110.0508.52
DIN Rail, DIN 15	3.110.0509.75
DIN Rail, DIN 35	3.110.0509.82

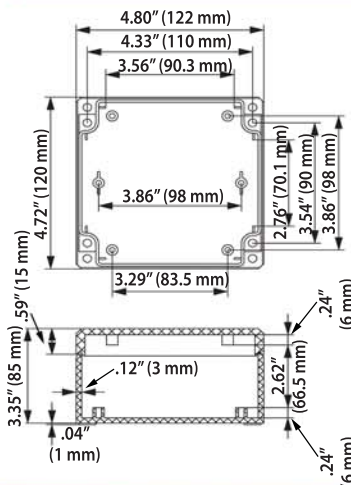
Assembly and machining services of your enclosures are available upon request. Drawings with additional dimensions can be furnished upon request.



Cover screws, assembly screws and plugs are included.
*Transparent cover always out of Polycarbonate

Additional accessories on page 23.

4.72 x 4.80 x 3.39" (120 x 122 x 86 mm)

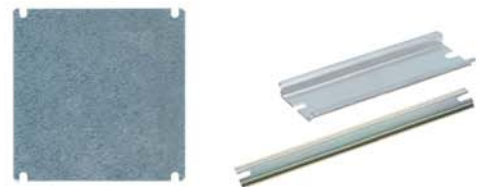


Polycarbonate	Part Number
Grey cover	3.110.0503.64
Transp. cover*	3.110.0503.71

ABS	Part Number
Grey cover	3.110.0503.88
Transp. cover*	3.110.0503.95

Accessories	Part Number
Mounting plate, 1,5 mm thick, galvanized steel	3.110.0508.52
DIN Rail, DIN 15	3.110.0509.75
DIN Rail, DIN 35	3.110.0509.82

Assembly and machining services of your enclosures are available upon request. Drawings with additional dimensions can be furnished upon request.

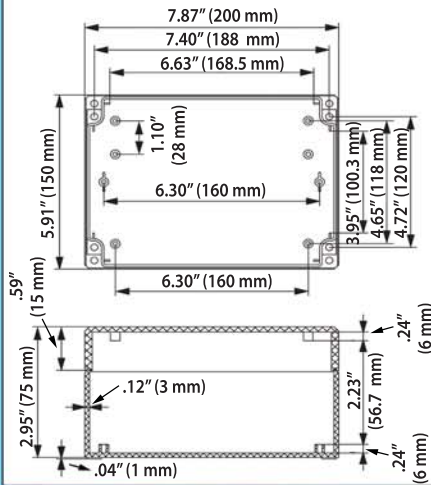


Cover screws, assembly screws and plugs are included.
*Transparent cover always out of Polycarbonate

Additional accessories on page 23.

Small Enclosures made of Polycarbonate or ABS

5.91 x 7.87 x 2.99" (150 x 200 x 76 mm)



Polycarbonate Part Number

Grey cover	3.110.0505.62
Transp. cover*	3.110.0505.79

ABS Part Number

Grey cover	3.110.0505.86
Transp. cover*	3.110.0505.93

Accessories Part Number

Mounting plate, 1,5 mm thick, galvanized steel	3.110.0508.90
DIN Rail, DIN 35	3.110.0510.71

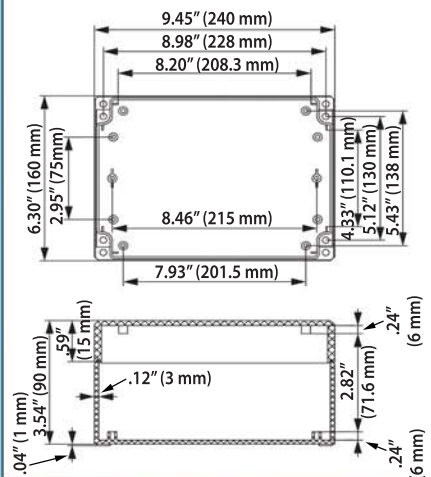


Assembly and machining services of your enclosures are available upon request. Drawings with additional dimensions can be furnished upon request.

Cover screws, assembly screws and plugs are included.
*Transparent cover always out of Polycarbonate

Additional accessories on page 23.

6.30 x 9.45 x 3.58" (160 x 240 x 91 mm)



Polycarbonate Part Number

Grey cover	3.110.0506.09
Transp. cover*	3.110.0506.16

ABS Part Number

Grey cover	3.110.0506.23
Transp. cover*	3.110.0506.30

Accessories Part Number

Mounting plate, 1,5 mm thick, galvanized steel	3.110.0509.06
DIN Rail, DIN 35	3.110.0561.20



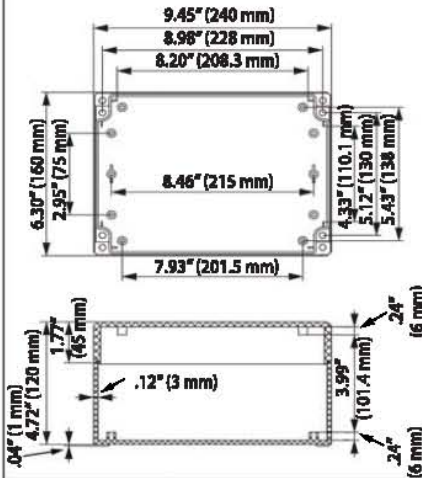
Assembly and machining services of your enclosures are available upon request. Drawings with additional dimensions can be furnished upon request.

Cover screws, assembly screws and plugs are included.
*Transparent cover always out of Polycarbonate

Additional accessories on page 23.

Small Enclosures made of Polycarbonate or ABS

6.30 x 9.45 x 4.76" (160 x 240 x 121 mm)



Material	Part Number
Polycarbonate	
Grey cover	3.110.0506.47
Transp. cover*	3.110.0506.54
ABS	
Grey cover	3.110.0506.61
Transp. cover*	3.110.0506.78

Accessories	Part Number
Mounting plate, 1,5 mm thick, galvanized steel	3.110.0509.06
DIN Rail, DIN 35	3.110.0561.20

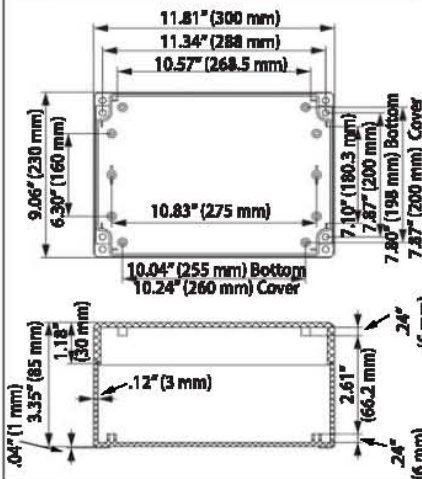


Assembly and machining services of your enclosures are available upon request. Drawings with additional dimensions can be furnished upon request.

Cover screws, assembly screws and plugs are included.
*Transparent cover always out of Polycarbonate

Additional accessories on page 23.

9.06 x 11.81 x 3.39" (230 x 300 x 86 mm)



Material	Part Number
Polycarbonate	
Grey cover	3.110.0507.22
Transp. cover*	3.110.0507.39
ABS	
Grey cover	3.110.0507.46
Transp. cover*	3.110.0507.53

Accessories	Part Number
Mounting plate, 1,5 mm thick, galvanized steel	3.110.0509.20
DIN Rail, DIN 35	3.110.0511.01



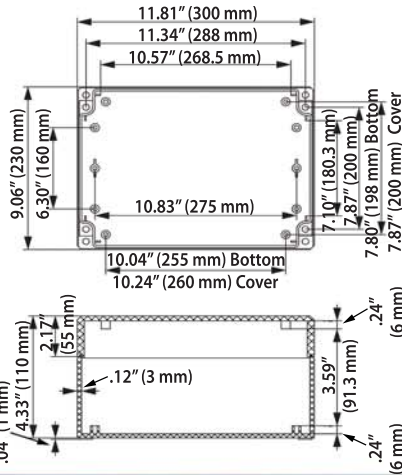
Assembly and machining services of your enclosures are available upon request. Drawings with additional dimensions can be furnished upon request.

Cover screws, assembly screws and plugs are included.
*Transparent cover always out of Polycarbonate

Additional accessories on page 23.

Small Enclosures made of Polycarbonate or ABS

9.06 x 11.81 x 4.37" (230 x 300 x 111 mm)



Polycarbonate	Part Number
Grey cover	3.110.0507.60
Transp. cover*	3.110.0507.77

ABS	Part Number
Grey cover	3.110.0507.84
Transp. cover*	3.110.0507.91

Accessories	Part Number
Mounting plate, 1,5 mm thick, galvanized steel	3.110.0509.20
DIN Rail, DIN 35	3.110.0511.01



Assembly and machining services of your enclosures are available upon request. Drawings with additional dimensions can be furnished upon request.

Cover screws, assembly screws and plugs are included.
*Transparent cover always out of Polycarbonate

Additional accessories on page 23.



Accessories for Series 11.

Accessories

Hinges	Size inches (mm)	Part Number
Pair, polycarbonate	1.10 x 1.10 x .39" (28 x 28 x 10 mm)	3.811.0561.44

Accessories

Outside Latches	Size inches (mm)	Part Number
Set, polycarbonate	1.30 x .83 x .37" (33 x 21 x 9.5 mm)	3.811.0511.25

Accessories

Cover Plugs	Size inches (mm)	Part Number
Set, polycarbonate	.12 x .71" (3 x 18 mm)	3.811.0511.49

Accessories

Cover Screws	Size inches (mm)	Part Number
Cover screws, short	.12 x .71" (3 x 18 mm)	3.811.0511.63
Cover screws, set incl. 4 cover screws and 4 mounting screws	.12 x .71" (3 x 18 mm)	3.811.0512.93
Cover screws, set incl. 6 cover screws and 4 mounting screws	.12 x .71" (3 x 18 mm)	3.811.0513.09
Cover screws, long for over 100 mm deep model	.12 x 1.97" (3 x 50 mm)	3.811.0512.79
Cover screws, TORX	.12 x .71" (3 x 18 mm)	3.811.0512.86

Accessories

Mounting Screws	Size inches (mm)	Part Number
Mounting Screws	.12 x .28" (3 x 7 mm)	3.811.0511.56

Setting Standards

Did you know ...

...that HUMMEL produces custom milled and turned parts?

We produce custom turned and milled parts according to your drawings particularly specializing in the Electro, HVAC, Automation and Safety industries.

Materials:

- Alloy Steel
- Brass
- Aluminum
- Nickel Silver Steel
- Automatic Screw Machine Steel



CHALLENGE US!



High precision and quality products

