

OEM Enclosures – PC or ABS

Series 13 with Plain Sides and Flange Knockouts

Manufactured from high performance Thermoplastic, Polycarbonate, or ABS. These enclosures are suitable for demanding OEM applications, e.g. for the protection of electronic and pneumatic components.

This series with plain sidewalls is also available with flange and metric knockouts.

Enclosure dimensions vary in 100 mm increments, the smallest being 200 x 200 x 132 mm, the largest 400 x 600 mm with a depth of 187 mm. By adding an extension frame, depth can be increased in increments of 55 mm.

A special feature is the adjustable height for the mounting plate, made possible by a slotted guide in each inside corner of the enclosure.

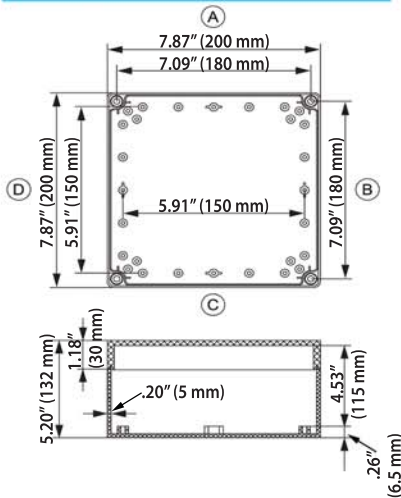
The following approved enclosures are available upon request:

Technical Information	Polycarbonate	ABS
Protection EN 60529	IP 66 / 67	IP 66 / 67
Impact EN 50102 (+35 °C / -25 °C)	IK 08 / IK 08	IK 07 / IK 06
Temperature range	-50 °C...+100 °C	-40 °C...+60 °C
Fire resistance per UL 94	V-2	HB
Standard color	Grey RAL 7035	Grey RAL 7035
Transparent cover	Polycarbonate	Polycarbonate
Gasket	PUR (Polyurethane)	PUR (Polyurethane)
Cover screws	Polyamide	Polyamide



Large Enclosures made of Polycarbonate or ABS

7.87 x 7.87 x 5.20" (200 x 200 x 132 mm)



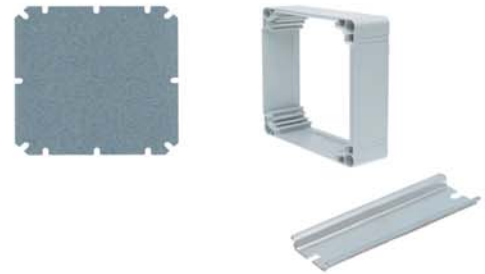
Polycarbonate	Part Number
Grey cover, plain sides	3.130.0844.13
Grey cover Flange knockouts, A, B, C, D: 1 x F1	3.130.0721.20
Transp. cover*, plain sides	3.130.0843.45
Transp. cover* Flange knockouts, A, B, C, D: 1 x F1	3.130.0721.99

ABS	Part Number
Grey cover, plain sides	3.130.0845.50
Transp. cover*, plain sides	3.130.0844.82

Assembly and machining services of your enclosures are available upon request. Drawings with additional dimensions can be furnished upon request.

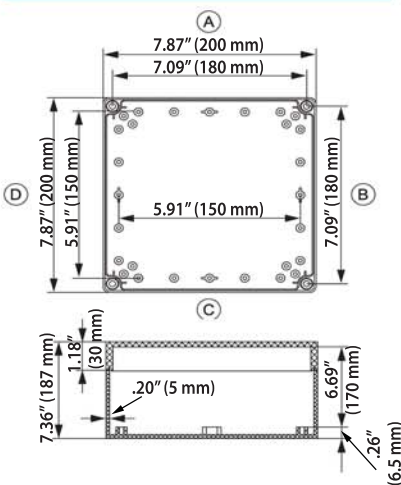
Cover screws and assembly screws are included.
*Transparent cover always out of Polycarbonate

Accessories	Part Number
Mounting plate, 1,5 mm thick, galvanized steel	3.130.0646.75
DIN Rail, DIN 35	3.130.0647.43
Extension frame for an additional 55 mm depth	3.130.0646.06



Additional accessories on page 45.
Flange accessories on page 47.

7.87 x 7.87 x 7.36" (200 x 200 x 187 mm)



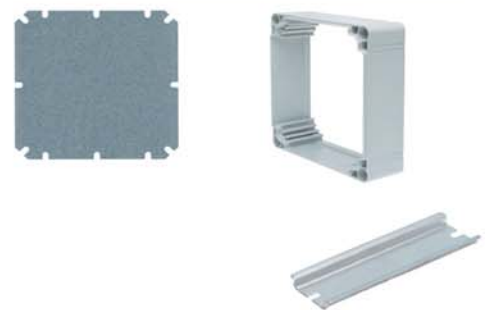
Polycarbonate	Part Number
Grey cover, plain sides	3.130.0846.28
Grey cover Flange knockouts, A, B, C, D: 1 x F1	3.130.0821.67
Transp. cover*, plain sides	3.130.0846.97
Transp. cover* Flange knockouts, A, B, C, D: 1 x F1	3.130.0822.35

ABS	Part Number
Grey cover, plain sides	3.130.0847.65
Transp. cover*, plain sides	3.130.0848.33

Assembly and machining services of your enclosures are available upon request. Drawings with additional dimensions can be furnished upon request.

This type Enclosure includes Extension Frame
Cover screws and assembly screws are included.
*Transparent cover always out of Polycarbonate

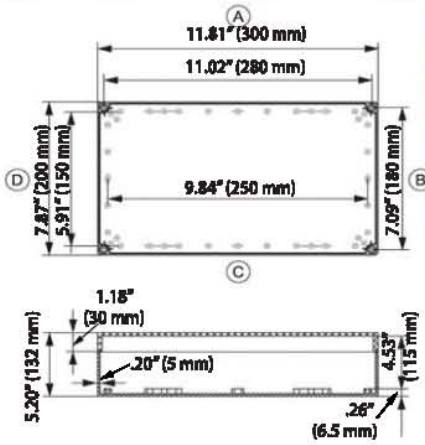
Accessories	Part Number
Mounting plate, 1,5 mm thick, galvanized steel	3.130.0646.75
DIN Rail, DIN 35	3.130.0647.43
Extension frame for an additional 55 mm depth	3.130.0646.06



Additional accessories on page 45.
Flange accessories on page 47.

Large Enclosures made of Polycarbonate or ABS

7.87 x 11.81 x 5.20" (200 x 300 x 132 mm)



Polycarbonate	Part Number
Grey cover, plain sides	3.130.0844.20
Grey cover Flange knockouts, A, C: 1 x F2; B, D: 1 x F1	3.130.0721.37
Transp. cover*, plain sides	3.130.0843.52
Transp. cover* Flange knockouts, A, C: 1 x F2; B, D: 1 x F1	3.130.0722.05

Accessories	Part Number
Mounting plate, 1,5 mm thick, galvanized steel	3.130.0646.82
DIN Rail, DIN 35, short side	3.130.0647.43
DIN Rail, DIN 35, long side	3.130.0647.50
Extension frame for an additional 55 mm depth	3.130.0646.13

ABS	Part Number
Grey cover, plain sides	3.130.0845.67
Transp. cover*, plain sides	3.130.0844.99

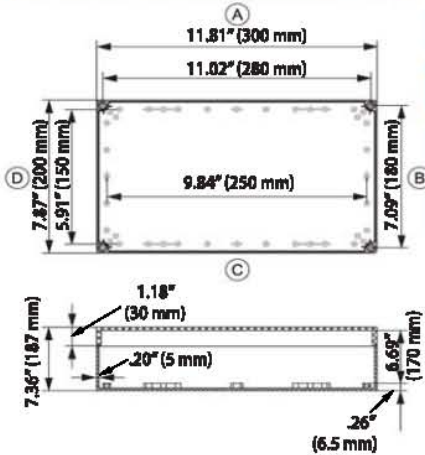


Assembly and machining services of your enclosures are available upon request. Drawings with additional dimensions can be furnished upon request.

Cover screws and assembly screws are included.
*Transparent cover always out of Polycarbonate

Additional accessories on page 45.
Flange accessories on page 47.

7.87 x 11.81 x 7.36" (200 x 300 x 187 mm)



Polycarbonate	Part Number
Grey cover, plain sides	3.130.0846.35
Grey cover Flange knockouts, A, C: 1 x F2; B, D: 1 x F1	3.130.0821.74
Transp. cover*, plain sides	3.130.0847.03
Transp. cover* Flange knockouts, A, C: 1 x F2; B, D: 1 x F1	3.130.0822.42

Accessories	Part Number
Mounting plate, 1,5 mm thick, galvanized steel	3.130.0646.82
DIN Rail, DIN 35, short side	3.130.0647.43
DIN Rail, DIN 35, long side	3.130.0647.50
Extension frame for an additional 55 mm depth	3.130.0646.13

ABS	Part Number
Grey cover, plain sides	3.130.0847.72
Transp. cover*, plain sides	3.130.0848.40



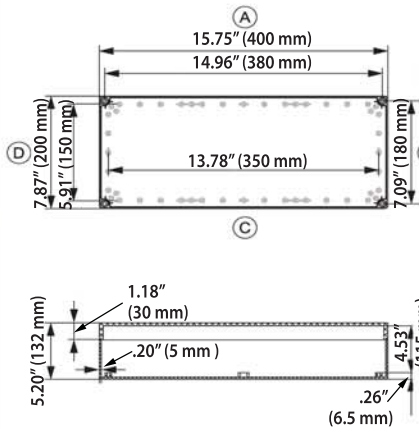
Assembly and machining services of your enclosures are available upon request. Drawings with additional dimensions can be furnished upon request.

This type Enclosure includes Extension Frame
Cover screws and assembly screws are included.
*Transparent cover always out of Polycarbonate

Additional accessories on page 45.
Flange accessories on page 47.

Large Enclosures made of Polycarbonate or ABS

7.87 x 15.75 x 5.20" (200 x 400 x 132 mm)



Polycarbonate	Part Number
Grey cover, plain sides	3.130.0844.37
Grey cover Flange knockouts, A, C: 1 x F2; B, D: 1 x F1	3.130.0721.44
Transp. cover*, plain sides	3.130.0843.69
Transp. cover* Flange knockouts, A, C: 1 x F2; B, D: 1 x F1	3.130.0722.12

ABS	Part Number
Grey cover, plain sides	3.130.0845.74
Transp. cover*, plain sides	3.130.0845.05

Assembly and machining services of your enclosures are available upon request.
Drawings with additional dimensions can be furnished upon request.

Cover screws and assembly screws are included.
*Transparent cover always out of Polycarbonate

Accessories	Part Number
Mounting plate, 1,5 mm thick, galvanized steel	3.130.0646.99
DIN Rail, DIN 35, short side	3.130.0647.43
DIN Rail, DIN 35, long side	3.130.0647.67
Extension frame for an additional 55 mm depth	3.130.0646.20



Additional accessories on page 45.
Flange accessories on page 47.

7.87 x 15.75 x 7.36" (200 x 400 x 187 mm)



Polycarbonate	Part Number
Grey cover, plain sides	3.130.0846.42
Grey cover Flange knockouts, A, C: 1 x F2; B, D: 1 x F1	3.130.0821.81
Transp. cover*, plain sides	3.130.0847.10
Transp. cover* Flange knockouts, A, C: 1 x F2; B, D: 1 x F1	3.130.0822.59

ABS	Part Number
Grey cover, plain sides	3.130.0847.89
Transp. cover*, plain sides	3.130.0848.57

Assembly and machining services of your enclosures are available upon request.
Drawings with additional dimensions can be furnished upon request.

This type Enclosure includes Extension Frame
Cover screws and assembly screws are included.
*Transparent cover always out of Polycarbonate

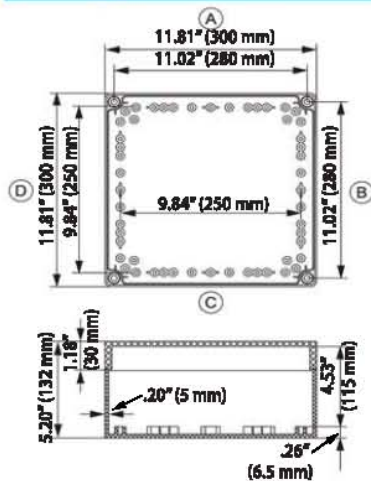
Accessories	Part Number
Mounting plate, 1,5 mm thick, galvanized steel	3.130.0646.99
DIN Rail, DIN 35, short side	3.130.0647.43
DIN Rail, DIN 35, long side	3.130.0647.67
Extension frame for an additional 55 mm depth	3.130.0646.20



Additional accessories on page 45.
Flange accessories on page 47.

Large Enclosures made of Polycarbonate or ABS

11.81 x 11.81 x 5.20" (300 x 300 x 132 mm)



Polycarbonate	Part Number
Grey cover, plain sides	3.130.0844.44
Grey cover, metric knockouts, B: 12 x ø20 mm + 1 x ø16 mm / 25 mm D: 8 x ø20 mm + 4 x ø25 mm / 40 mm	3.130.0578.99
Grey cover Flange knockouts, A, B, C, D: 1 x F2	3.130.0721.51
Transp. cover*, plain sides	3.130.0843.76
Transp. cover*, metric knockouts, B: 12 x ø20 mm + 1 x ø16 mm / 25 mm D: 8 x ø20 mm + 4 x ø25 mm / 40 mm	3.130.0579.29
Transp. cover* Flange knockouts, A, B, C, D: 1 x F2	3.130.0722.29

Accessories	Part Number
Mounting plate, 1,5 mm thick, galvanized steel	3.130.0647.05
DIN Rail, DIN 35	3.130.0647.50
Extension frame for an additional 55 mm depth	3.130.0646.37

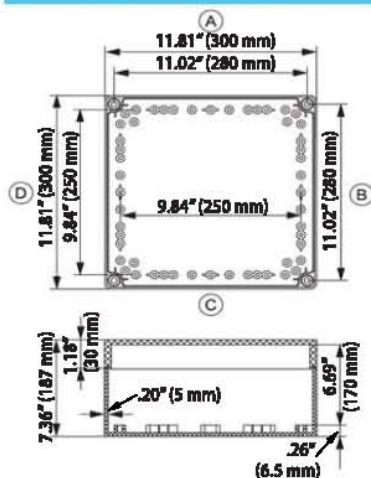


ABS	Part Number
Grey cover, plain sides	3.130.0845.81
Transp. cover*, plain sides	3.130.0845.12

Assembly and machining services of your enclosures are available upon request.
Drawings with additional dimensions can be furnished upon request.
Cover screws and assembly screws are included.
*Transparent cover always out of Polycarbonate

Additional accessories on page 45.
Flange accessories on page 47.

11.81 x 11.81 x 7.36" (300 x 300 x 187 mm)



Polycarbonate	Part Number
Grey cover, plain sides	3.130.0846.59
Grey cover, metric knockouts, B: 12 x ø20 mm + 1 x ø16 mm / 25 mm D: 8 x ø20 mm + 4 x ø25 mm / 40 mm	3.130.0579.50
Grey cover Flange knockouts, A, B, C, D: 1 x F2	3.130.0821.98
Transp. cover*, plain sides	3.130.0847.27
Transp. cover*, metric knockouts, B: 12 x ø20 mm + 1 x ø16 mm / 25 mm D: 8 x ø20 mm + 4 x ø25 mm / 40 mm	3.130.0579.81
Transp. cover* Flange knockouts, A, B, C, D: 1 x F2	3.130.0822.66

Accessories	Part Number
Mounting plate, 1,5 mm thick, galvanized steel	3.130.0647.05
DIN Rail, DIN 35	3.130.0647.50
Extension frame for an additional 55 mm depth	3.130.0646.37



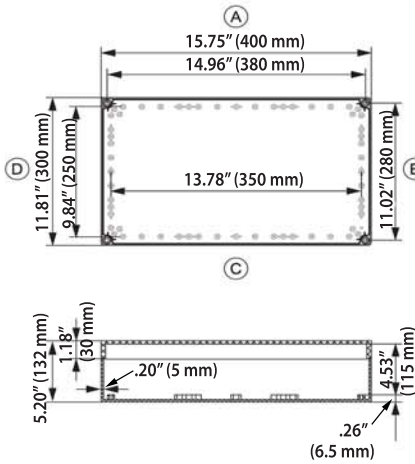
ABS	Part Number
Grey cover, plain sides	3.130.0847.96
Transp. cover*, plain sides	3.130.0848.64

Assembly and machining services of your enclosures are available upon request.
Drawings with additional dimensions can be furnished upon request.
This type Enclosure includes Extension Frame
Cover screws and assembly screws are included.
*Transparent cover always out of Polycarbonate

Additional accessories on page 45.
Flange accessories on page 47.

Large Enclosures made of Polycarbonate or ABS

11.81 x 15.75 x 5.20" (300 x 400 x 132 mm)



Polycarbonate	Part Number
Grey cover, plain sides	3.130.0844.51
Grey cover, metric knockouts, B: 12 x ø 12 mm / 20 mm + 1 x ø 32 mm / 40 mm D: 8 x ø 12 mm / 20 mm + 5 x ø 16 mm / 25 mm	3.130.0579.05
Grey cover Flange knockouts, A, B, C, D: 1 x F2	3.130.0721.68
Transp. cover*, plain sides	3.130.0843.83
Transp. cover*, metric knockouts, B: 12 x ø 12 mm / 20 mm + 1 x ø 32 mm / 40 mm D: 8 x ø 12 mm / 20 mm + 5 x ø 16 mm / 25 mm	3.130.0579.36
Transp. cover* Flange knockouts, A, B, C, D: 1 x F2	3.130.0722.36

ABS	Part Number
Grey cover, plain sides	3.130.0845.98
Transp. cover*, plain sides	3.130.0845.29

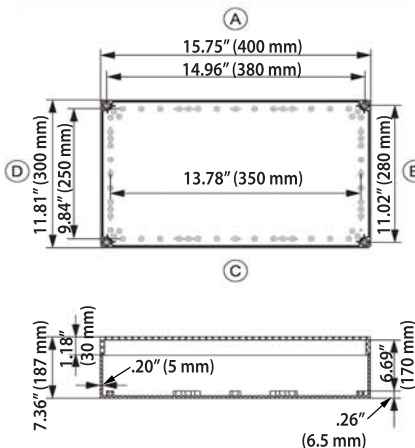
Assembly and machining services of your enclosures are available upon request.
Drawings with additional dimensions can be furnished upon request.
Cover screws and assembly screws are included.
*Transparent cover always out of Polycarbonate

Accessories	Part Number
Mounting plate, 1,5 mm thick, galvanized steel	3.130.0647.12
DIN Rail, DIN 35, short side	3.130.0647.50
DIN Rail, DIN 35, long side	3.130.0647.67
Extension frame for an additional 55 mm depth	3.130.0646.44



Additional accessories on page 45.
Flange accessories on page 47.

11.81 x 15.75 x 7.36" (300 x 400 x 187 mm)



Polycarbonate	Part Number
Grey cover, plain sides	3.130.0846.66
Grey cover, metric knockouts, B: 12 x ø 12 mm / 20 mm + 1 x ø 32 mm / 40 mm D: 8 x ø 12 mm / 20 mm + 5 x ø 16 mm / 25 mm	3.130.0579.67
Grey cover Flange knockouts, A, B, C, D: 1 x F2	3.130.0822.04
Transp. cover*, plain sides	3.130.0847.34
Transp. cover*, metric knockouts, B: 12 x ø 12 mm / 20 mm + 1 x ø 32 mm / 40 mm D: 8 x ø 12 mm / 20 mm + 5 x ø 16 mm / 25 mm	3.130.0579.98
Transp. cover* Flange knockouts, A, B, C, D: 1 x F2	3.130.0822.73

ABS	Part Number
Grey cover, plain sides	3.130.0848.02
Transp. cover*, plain sides	3.130.0848.71

Assembly and machining services of your enclosures are available upon request.
Drawings with additional dimensions can be furnished upon request.
This type Enclosure includes Extension Frame
Cover screws and assembly screws are included.
*Transparent cover always out of Polycarbonate

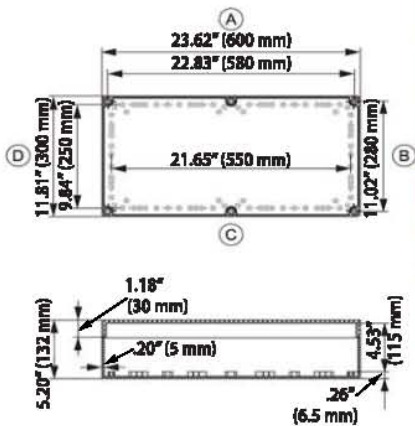
Accessories	Part Number
Mounting plate, 1,5 mm thick, galvanized steel	3.130.0647.12
DIN Rail, DIN 35, short side	3.130.0647.50
DIN Rail, DIN 35, long side	3.130.0647.67
Extension frame for an additional 55 mm depth	3.130.0646.44



Additional accessories on page 45.
Flange accessories on page 47.

Large Enclosures made of Polycarbonate or ABS

11.81 x 23.62 x 5.20" (300 x 600 x 132 mm)



Polycarbonate	Part Number
Grey cover, plain sides	3.130.0844.68
Grey cover, metric knockouts, B: 12 x ø 12 mm / 20 mm + 1 x ø 32 mm / 40 mm D: 8 x ø 12 mm / 20 mm + 5 x ø 16 mm / 25 mm	3.130.0579.12
Grey cover Flange knockouts, A, C: 2 x F2; B, D: 1 x F2	3.130.0721.75
Transp. cover*, plain sides	3.130.0843.90
Transp. cover*, metric knockouts, B: 12 x ø 12 mm / 20 mm + 1 x ø 32 mm / 40 mm D: 8 x ø 12 mm / 20 mm + 5 x ø 16 mm / 25 mm	3.130.0579.43
Transp. cover* Flange knockouts, A, C: 2 x F2; B, D: 1 x F2	3.130.0722.43

Accessories	Part Number
Mounting plate, 1,5 mm thick, galvanized steel	3.130.0647.29
DIN Rail, DIN 35, short side	3.130.0647.50
Extension frame for an additional 55 mm depth	3.130.0646.51

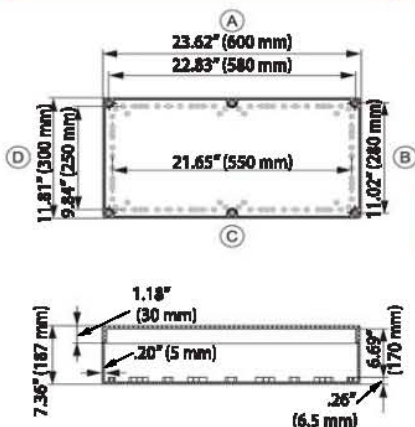


ABS	Part Number
Grey cover, plain sides	3.130.0846.04
Transp. cover*, plain sides	3.130.0845.36

Assembly and machining services of your enclosures are available upon request.
Drawings with additional dimensions can be furnished upon request.
Cover screws and assembly screws are included.
*Transparent cover always out of Polycarbonate

Additional accessories on page 45.
Flange accessories on page 47.

11.81 x 23.62 x 7.36" (300 x 600 x 187 mm)



Polycarbonate	Part Number
Grey cover, plain sides	3.130.0846.73
Grey cover, metric knockouts, B: 12 x ø 12 mm / 20 mm + 1 x ø 32 mm / 40 mm D: 8 x ø 12 mm / 20 mm + 5 x ø 16 mm / 25 mm	3.130.0579.74
Grey cover Flange knockouts, A, C: 2 x F2; B, D: 1 x F2	3.130.0822.11
Transp. cover*, plain sides	3.130.0847.41
Transp. cover*, metric knockouts, B: 12 x ø 12 mm / 20 mm + 1 x ø 32 mm / 40 mm D: 8 x ø 12 mm / 20 mm + 5 x ø 16 mm / 25 mm	3.130.0580.01
Transp. cover* Flange knockouts, A, C: 2 x F2; B, D: 1 x F2	3.130.0822.80

Accessories	Part Number
Mounting plate, 1,5 mm thick, galvanized steel	3.130.0647.29
DIN Rail, DIN 35, short side	3.130.0647.50
Extension frame for an additional 55 mm depth	3.130.0646.51



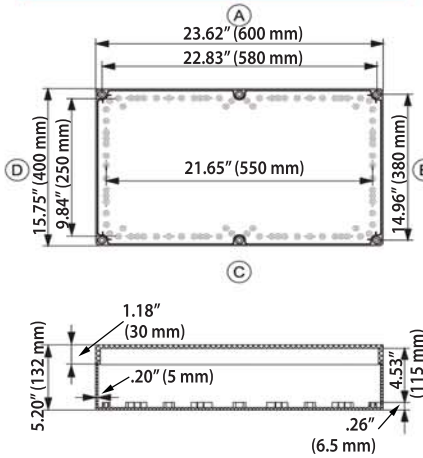
ABS	Part Number
Grey cover, plain sides	3.130.0848.19
Transp. cover*, plain sides	3.130.0848.88

Assembly and machining services of your enclosures are available upon request.
Drawings with additional dimensions can be furnished upon request.
This type Enclosure includes Extension Frame
Cover screws and assembly screws are included.
*Transparent cover always out of Polycarbonate

Additional accessories on page 45.
Flange accessories on page 47.

Large Enclosures made of Polycarbonate or ABS

15.75 x 23.62 x 5.20" (400 x 600 x 132 mm)



Polycarbonate	Part Number
Grey cover, plain sides	3.130.0844.75
Grey cover Flange knockouts, A, C: 2 x F2; B, D: 1 x F2	3.130.0721.82
Transp. cover*, plain sides	3.130.0844.06
Transp. cover* Flange knockouts, A, C: 2 x F2; B, D: 1 x F2	3.130.0722.50

Accessories	Part Number
Mounting plate, 1,5 mm thick, galvanized steel	3.130.0647.36
DIN Rail, DIN 35, short side	3.130.0647.67
Extension frame for an additional 55 mm depth	3.130.0646.68

ABS	Part Number
Grey cover, plain sides	3.130.0846.11
Transp. cover*, plain sides	3.130.0845.43

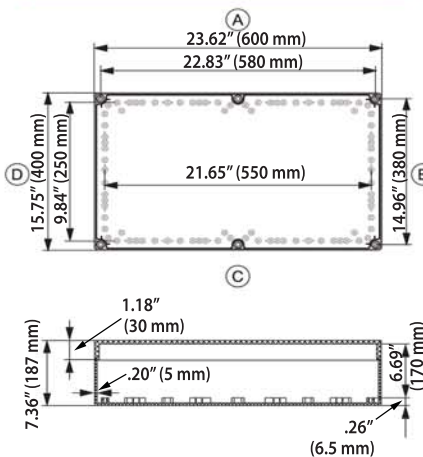


Assembly and machining services of your enclosures are available upon request.
Drawings with additional dimensions can be furnished upon request.

Cover screws and assembly screws are included.
*Transparent cover always out of Polycarbonate

Additional accessories on page 45.
Flange accessories on page 47.

15.75 x 23.62 x 7.36" (400 x 600 x 187 mm)



Polycarbonate	Part Number
Grey cover, plain sides	3.130.0846.80
Grey cover Flange knockouts, A, C: 2 x F2; B, D: 1 x F2	3.130.0822.28
Transp. cover*, plain sides	3.130.0847.58
Transp. cover* Flange knockouts, A, C: 2 x F2; B, D: 1 x F2	3.130.0822.97

Accessories	Part Number
Mounting plate, 1,5 mm thick, galvanized steel	3.130.0647.36
DIN Rail, DIN 35, short side	3.130.0647.67
Extension frame for an additional 55 mm depth	3.130.0646.68

ABS	Part Number
Grey cover, plain sides	3.130.0848.26
Transp. cover*, plain sides	3.130.0848.95



Assembly and machining services of your enclosures are available upon request.
Drawings with additional dimensions can be furnished upon request.

This type Enclosure includes Extension Frame
Cover screws and assembly screws are included.
*Transparent cover always out of Polycarbonate

Additional accessories on page 45.
Flange accessories on page 47.



Accessories for Series 13.

Series 13 – Accessories

Accessories

Outside Latches	Size inches (mm)	Part Number
Fastening Lugs, set	19 x 40 x 35.5" (.75 x 1.57 x 1.40 mm)	3.813.0647.81

Accessories

Adjustable Corner Clips for Mounting Plate	Size mm (inches)	Part Number
Adjustable corner clips for mounting plate set incl. 4 pcs.	.75 / .75 x .55" (19 / 19 x 14 mm)	3.813.0647.98
Adjustable corner clips for mounting plate set incl. 4 pcs.	.79 / 1.02 x .55" (20 / 26 x 14 mm)	3.813.0816.96

Accessories

Brass Inserts	Size inches (mm)	Part Number
Threaded bushing for cover screws when cover mounted on the back	71 / 1.18 ø .63" 18 / 30 ø 16	3.813.0717.89

Brass Inserts	Size inches (mm)	Part Number
Threaded brass inserts	M3	3.813.0723.28
Set of threaded inserts (4 pieces)	M3	3.813.0723.35

Accessories

Cover Screws	Size inches (mm)	Part Number
Cover screws, slotted / cross head, sealable	.55 x 1.65" (14 x 42 mm)	3.813.0745.90
Cover screws, slotted / cross head, dark grey made of noryl	.55 x 1.65" (14 x 42 mm)	3.813.0747.28
Cover screws, slotted / cross head, for 600 mm modular cover	.55 x 1.26" (14 x 32 mm)	3.813.0743.60
Cover screws, spring loaded, cross head	.55 x 2.44" (14 x 62 mm)	3.813.0730.73
Cover screws, wing head	.55 x 2.17" (14 x 55 mm)	3.813.0717.62
Cover screws, DIN 3 head	.55 x 1.65" (14 x 42 mm)	3.813.0717.72
Cover screws set incl. 4 cover screws and 4 brass inserts	.67 x 1.18 / .71" (17 x 30 / 18 mm)	3.813.0717.02


Accessories

Mounting Screws	Size Inches (mm)	Part Number
Mounting screws for plates and rails	.20 x 39" (5 x 10 mm)	3.813.0648.04

Series 13 – Accessories


Accessories

Hinges	Size inches (mm)	Part Number
Hinges (pair)	1.57 x 1.97 x .65" (40 x 50 x 16.5 mm)	3.813.0647.74
Hinges (pair), incl. 2 cover plugs	1.57 x 1.97 x .65" (40 x 50 x 16.5 mm)	3.813.0723.04



Accessories

Hinged Cover Screws	Size inches (mm)	Part Number
Hinged cover screw, slotted / cross head, blue, polyamide	.55 x 3.78" (14 x 96 mm)	3.813.0742.47
Hinged cover screw, wing head, blue, polyamide	.55 x 4.45" (14 x 113 mm)	3.813.0742.54



Accessories

Cover Plugs	Size mm (inches)	Part Number
Cover plugs, polyethylene	.43 x Ø.59 / .67" (11 x Ø 15 / 17 mm)	3.813.0648.11



Accessories

Extension Frame Screw	Size inches (mm)	Part Number
Screws for extension frame	Ø .67 x 2.64" (Ø 17 x 67 mm)	3.813.0748.03



Accessories

Key	Size inches (mm)	Part Number
Key for DIN head screw	1.97 x 1.97" 50 x 50 mm	3.813.0724.10



Accessories

Self-tapping standoffs	Size inches (mm)	Part Number
4 M5 Steel screws included	.59 x .31" (15 x 8 mm)	3.813.0718.02
4 Spacers included*	.59 x .31" (15 x 8 mm)	3.813.0723.42
4 M5 Steel screws included	.79 x .31" (20 x 8 mm)	3.813.0718.19
4 Spacers included*	.79 x .31" (20 x 8 mm)	3.813.0723.59
4 M5 Steel screws included	1.18 x .31" (30 x 8 mm)	3.813.0718.26
4 Spacers included*	1.18 x .31" (30 x 8 mm)	3.813.0723.66

*Set consists of 4 spacers and 4 M5 screws made of steel.

Series 13 – Accessories

Special Accessories

A set of screws will be required when ordering a flange from page 47 & 48.




Special Accessories

Flanges Accessories	Size	Part Number
Extension frame for F2 flanges, PC	50 mm	3.813.0734.48
Self-adhesive flange gasket	F1	3.813.0719.25
Self-adhesive flange gasket	F2	3.813.0720.76
Flange bolt set, F1 size, steel bolt with plastic head	M6 x 20	3.813.0730.66
Flange bolt set, F2 size, steel bolt with plastic head	M8 x 20	3.813.0816.89
Flange bolt set, F2 size, steel bolt with plastic head + steel connector	M8 x 20	3.813.0730.80
Flange base support for size F2, PA	F2	3.813.0721.06



Special Accessories

Cover Flanges	Size	Part Number
PC / ABS, excluding gasket	F1	3.813.0718.33
PC, incl. PUR gasket	F2	3.813.0719.49



Special Accessories

Cable Access Flange, Set	Size	Part Number
Incl. gasket, for 1 cable ø 27–66 mm	F2	3.813.0816.72



Special Accessories

Flanges with Knockouts	Size	Part Number
Incl. PUR gasket, 7 x PG 11 + 4 x PG 9 / 16, PC	F2	3.813.0721.13
Incl. PUR gasket, 2 x PG 21 / 29 / 36 + 2 x PG 9 / 16 + 1 x PG 11, PC	F2	3.813.0723.97
Incl. PUR gasket, 5 x PG 16 / 21 + 2 x PG 11, PC	F2	3.813.0724.03
Incl. PUR gasket, 7 x M 16 + 7 x M 12 / 20	F2	3.813.0725.95
Incl. PUR gasket, 2 x M 20 / 32 / 50 + 2 x M 12 / 20 + 2 x M 16	F2	3.813.0726.25
Incl. PUR gasket, 5 x M 20 / 32 + 2 x M 16 + 1 x M 12 / 20	F2	3.813.0727.00

Series 13 – Accessories

Special Accessories

Flanges with Knockouts	Size inches (mm)	Part Number
Excluding gasket, 3 x PG 16, PC / ABS	F1	3.813.0718.40
Excluding gasket, 3 x PG 21, PC / ABS	F1	3.813.0718.57
Excluding gasket, 1 x PG 29, PC / ABS	F1	3.813.0718.64
Excluding gasket, 3 x \varnothing .79" (20 mm), PC / ABS	F1	3.813.0526.41
Excluding gasket, 3 x \varnothing .98" (25 mm), PC / ABS	F1	3.813.0526.58
Excluding gasket, 1 x \varnothing 1.26" (32 mm), PC / ABS	F1	3.813.0526.65
Inc. PUR-gasket, 3 x PG 21 + 4 x PG 16, PC	F2	3.813.0719.56
Inc. PUR-gasket, 2 x PG 29 + 6 x PG 16, PC	F2	3.813.0719.63
Inc. PUR-gasket, 2 x PG 36 + 4 x PG 16, PC	F2	3.813.0719.70
Inc. PUR-gasket, 8 x PG 16, PC	F2	3.813.0719.87
Inc. PUR-gasket, 10 x PG 11, PC	F2	3.813.0719.94
Inc. PUR-gasket, 4 x \varnothing .79" (20 mm) + 1 x \varnothing .98" (25 mm) + 2 x \varnothing 1.26" (32 mm), PC	F2	3.813.0526.72
Inc. PUR-gasket, 6 x \varnothing .79" (20 mm) + 1 x \varnothing 1.26" (32 mm) + 2 x \varnothing 1.57" (40 mm), PC	F2	3.813.0526.89
Inc. PUR-gasket, 4 x \varnothing 20 mm + 2 x \varnothing 40 mm, PC	F2	3.813.0526.96
Inc. PUR-gasket, 8 x \varnothing 20 mm, PC	F2	3.813.0527.02
Inc. PUR-gasket, 10 x \varnothing 16 mm, PC	F2	3.813.0527.19



Special Accessories

Flanges with Membrane Knockouts	Size inches (mm)	Part Number
For 5 x \varnothing .28 - 1.18" (7 - 30 mm) cables, EPDM	F1	3.813.0718.71
For 25 x \varnothing .08 - 1.02" (5 - 26 mm) cables, EPDM	F2	3.813.0720.07
For 35 x \varnothing .08 - 1.02" (5 - 26 mm) cables, EPDM	F2	3.813.0720.14
For 3 x \varnothing .94 - 2.36" (24 - 60 mm) cables, EPDM	F2	3.813.0720.21
Excluding gasket, 3 x \varnothing .83" (21 mm) + 4 x \varnothing .59" (15 mm), TPE	F1	3.813.0718.88
Excluding gasket, 4 x \varnothing .63" (16 mm) + 6 x \varnothing .51" (13 mm), TPE	F1	3.813.0718.95
Excluding gasket, 3 x \varnothing 1.18" (30 mm) + 6 x \varnothing .71" (18 mm) + 16 x \varnothing .55" (14 mm), TPE	F2	3.813.0720.38
Excluding gasket, 9 x \varnothing .71" (18 mm) + 24 x \varnothing .55" (14 mm), TPE	F2	3.813.0720.45

