

Wall Mounted Cabinets made of PC

Series 14 with smooth walls

These Enclosures are equipped with pre-installed hinges. The accessories of series 13 fit these products.

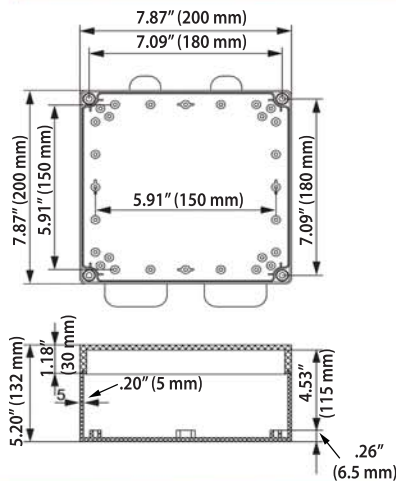
The following approved enclosures are available upon request:

Technical Information		Polycarbonate
Protection EN 60529		IP 66 / 67
Impact EN 50102 (+35 °C / -25 °C)		IK 08 / IK 08
Temperature range		-50 °C...+100 °C
Fire resistance per UL 94		V2...5 VA
Standard color		Grey RAL 7035
Gasket		PUR (Polyurethane)



Wall mounted Enclosures made of Polycarbonate

7.87 x 7.87 x 5.20" (200 x 200 x 132 mm)



Polycarbonate	Part Number
Grey cover, plain sides	3.140.0743.08
Transp. cover*, plain sides	3.140.0743.84

Assembly and machining services of your enclosures are available upon request.
Drawings with additional dimensions can be furnished upon request.

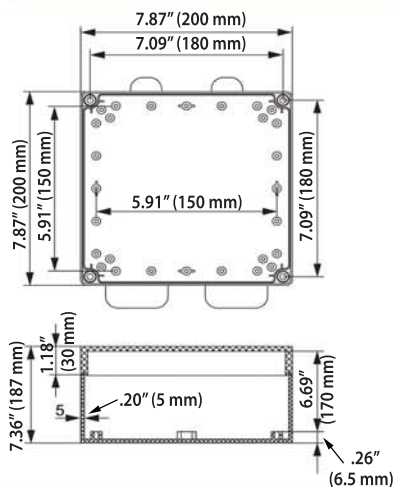
Accessories	Part Number
Mounting plate, 1,5 mm thick, galvanized steel	3.140.0646.75
DIN Rail, DIN 35	3.140.0647.43



Assembly screws are included.
*Transparent cover always out of Polycarbonate

Additional accessories on page 57.

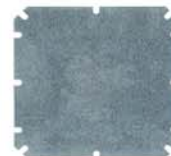
7.87 x 7.87 x 7.36" (200 x 200 x 187 mm)



Polycarbonate	Part Number
Grey cover, plain sides	3.140.0744.69
Transp. cover*, plain sides	3.140.0745.44

Assembly and machining services of your enclosures are available upon request.
Drawings with additional dimensions can be furnished upon request.

Accessories	Part Number
Mounting plate, 1,5 mm thick, galvanized steel	3.140.0646.75
DIN Rail, DIN 35	3.140.0647.43



This type Enclosure includes Extension Frame
Assembly screws are included.
*Transparent cover always out of Polycarbonate

Additional accessories on page 57.

Wall mounted Enclosures made of Polycarbonate

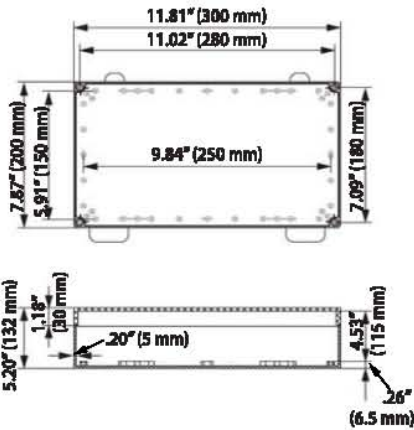
7.87 x 11.81 x 5.20" (200 x 300 x 132 mm)



Polycarbonate	Part Number
Grey cover, plain sides	3.140.0743.15
Transp. cover*, plain sides	3.140.0743.91

Accessories	Part Number
Mounting plate, 1,5 mm thick, galvanized steel	3.140.0646.82
DIN Rail, DIN 35, short side	3.140.0647.43
DIN Rail, DIN 35, long side	3.140.0647.50

Assembly and machining services of your enclosures are available upon request. Drawings with additional dimensions can be furnished upon request.



Assembly screws are included.
*Transparent cover always out of Polycarbonate



Additional accessories on page 57.

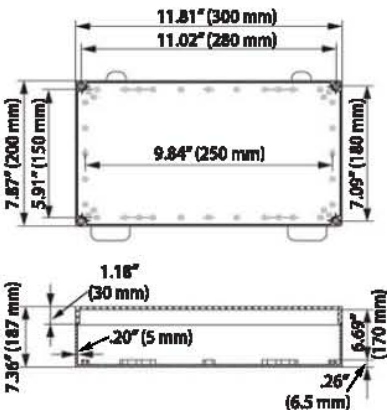
7.87 x 11.81 x 7.36" (200 x 300 x 187 mm)



Polycarbonate	Part Number
Grey cover, plain sides	3.140.0744.76
Transp. cover*, plain sides	3.140.0745.51

Accessories	Part Number
Mounting plate, 1,5 mm thick, galvanized steel	3.140.0646.82
DIN Rail, DIN 35, short side	3.140.0647.43
DIN Rail, DIN 35, long side	3.140.0647.50

Assembly and machining services of your enclosures are available upon request. Drawings with additional dimensions can be furnished upon request.



This type Enclosure includes Extension Frame
Assembly screws are included.
*Transparent cover always out of Polycarbonate



Additional accessories on page 57.

Wall mounted Enclosures made of Polycarbonate

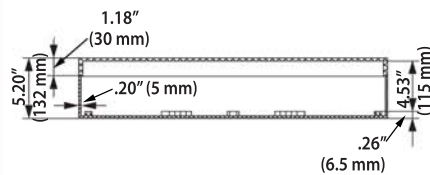
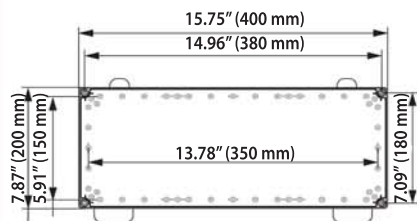
7.87 x 15.75 x 5.20" (200 x 400 x 132 mm)



Polycarbonate	Part Number
Grey cover, plain sides	3.140.0743.22
Transp. cover*, plain sides	3.140.0744.07

Assembly and machining services of your enclosures are available upon request. Drawings with additional dimensions can be furnished upon request.

Accessories	Part Number
Mounting plate, 1,5 mm thick, galvanized steel	3.140.0646.99
DIN Rail, DIN 35, short side	3.140.0647.43
DIN Rail, DIN 35, long side	3.140.0647.67



Assembly screws are included.
*Transparent cover always out of Polycarbonate



Additional accessories on page 57.

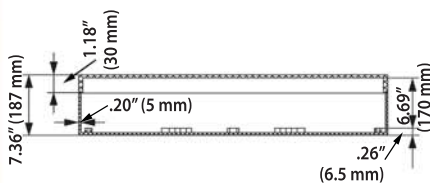
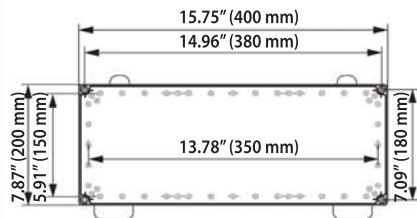
7.87 x 15.75 x 7.36" (200 x 400 x 187 mm)



Polycarbonate	Part Number
Grey cover, plain sides	3.140.0744.83
Transp. cover*, plain sides	3.140.0745.68

Assembly and machining services of your enclosures are available upon request. Drawings with additional dimensions can be furnished upon request.

Accessories	Part Number
Mounting plate, 1,5 mm thick, galvanized steel	3.140.0646.99
DIN Rail, DIN 35, short side	3.140.0647.43
DIN Rail, DIN 35, long side	3.140.0647.67



This type Enclosure includes Extension Frame
Assembly screws are included.
*Transparent cover always out of Polycarbonate



Additional accessories on page 57.

Wall mounted Enclosures made of Polycarbonate

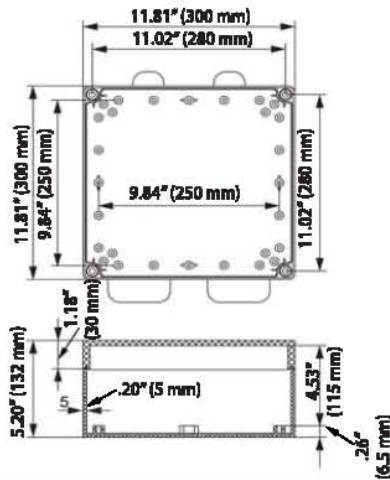
11.81 x 11.81 x 5.20" (300 x 300 x 132 mm)



Polycarbonate	Part Number
Grey cover, plain sides	3.140.0743.39
Transp. cover*, plain sides	3.140.0744.14

Accessories	Part Number
Mounting plate, 1,5 mm thick, galvanized steel	3.140.0647.05
DIN Rail, DIN 35	3.140.0647.50

Assembly and machining services of your enclosures are available upon request. Drawings with additional dimensions can be furnished upon request.



Assembly screws are included.
*Transparent cover always out of Polycarbonate

Additional accessories on page 57.

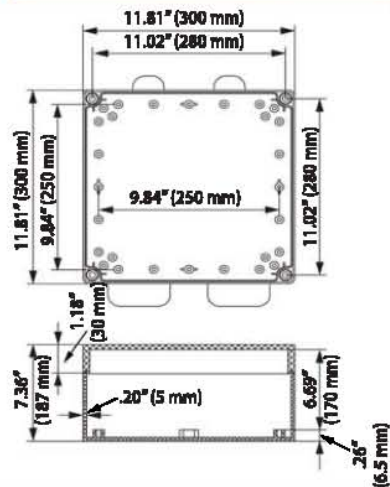
11.81 x 11.81 x 7.36" (300 x 300 x 187 mm)



Polycarbonate	Part Number
Grey cover, plain sides	3.140.0744.90
Transp. cover*, plain sides	3.140.0745.75

Accessories	Part Number
Mounting plate, 1,5 mm thick, galvanized steel	3.140.0647.05
DIN Rail, DIN 35	3.140.0647.50

Assembly and machining services of your enclosures are available upon request. Drawings with additional dimensions can be furnished upon request.

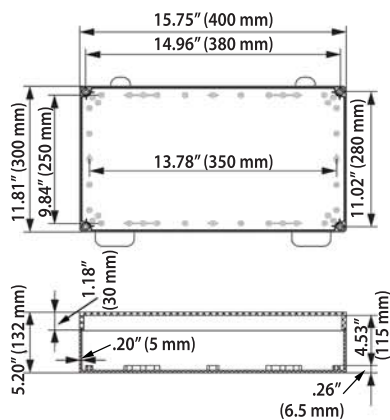


This type Enclosure includes Extension Frame
Assembly screws are included.
*Transparent cover always out of Polycarbonate

Additional accessories on page 57.

Wall mounted Enclosures made of Polycarbonate

11.81 x 15.75 x 5.20" (300 x 400 x 132 mm)



Polycarbonate	Part Number
Grey cover, plain sides	3.140.0743.46
Transp. cover*, plain sides	3.140.0744.21

Assembly and machining services of your enclosures are available upon request. Drawings with additional dimensions can be furnished upon request.

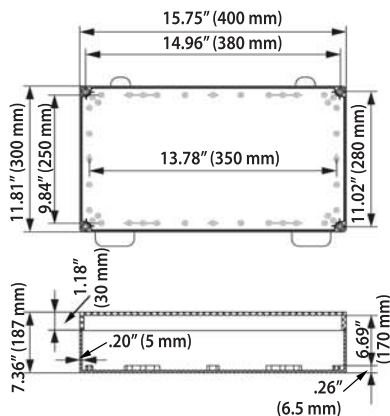
Accessories	Part Number
Mounting plate, 1,5 mm thick, galvanized steel	3.140.0647.12
DIN Rail, DIN 35, short side	3.140.0647.50
DIN Rail, DIN 35, long side	3.140.0647.67



Assembly screws are included.
*Transparent cover always out of Polycarbonate

Additional accessories on page 57.

11.81 x 15.75 x 7.36" (300 x 400 x 187 mm)



Polycarbonate	Part Number
Grey cover, plain sides	3.140.0745.06
Transp. cover*, plain sides	3.140.0745.82

Assembly and machining services of your enclosures are available upon request. Drawings with additional dimensions can be furnished upon request.

Accessories	Part Number
Mounting plate, 1,5 mm thick, galvanized steel	3.140.0647.12
DIN Rail, DIN 35, short side	3.140.0647.50
DIN Rail, DIN 35, long side	3.140.0647.67

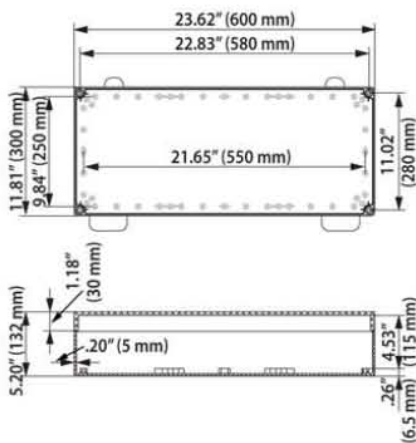


This type Enclosure includes Extension Frame
Assembly screws are included.
*Transparent cover always out of Polycarbonate

Additional accessories on page 57.

Wall mounted Enclosures made of Polycarbonate

11.81 x 23.62 x 5.20" (300 x 600 x 132 mm)



Polycarbonate	Part Number
Grey cover, plain sides	3.140.0743.53
Transp. cover*, plain sides	3.140.0744.38

Assembly and machining services of your enclosures are available upon request. Drawings with additional dimensions can be furnished upon request.

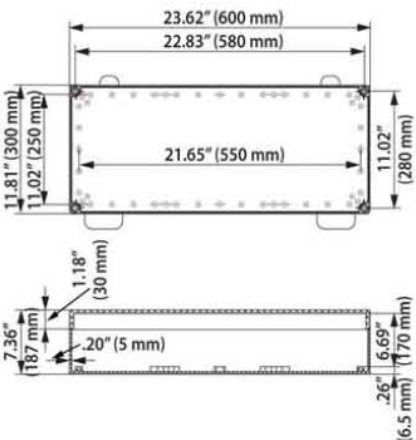
Accessories	Part Number
Mounting plate, 1,5 mm thick, galvanized steel	3.140.0647.29
DIN Rail, DIN 35, short side	3.140.0647.50



Assembly screws are included.
*Transparent cover always out of Polycarbonate

Additional accessories on page 57.

11.81 x 23.62 x 7.36" (300 x 600 x 187 mm)



Polycarbonate	Part Number
Grey cover, plain sides	3.140.0745.13
Transp. cover*, plain sides	3.140.0745.99

Assembly and machining services of your enclosures are available upon request. Drawings with additional dimensions can be furnished upon request.

Accessories	Part Number
Mounting plate, 1,5 mm thick, galvanized steel	3.140.0647.29
DIN Rail, DIN 35, short side	3.140.0647.50

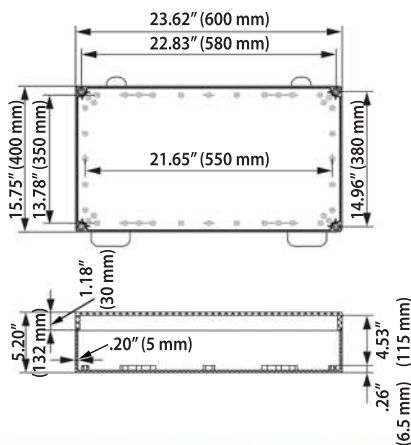


This type Enclosure includes Extension Frame
Assembly screws are included.
*Transparent cover always out of Polycarbonate

Additional accessories on page 57.

Wall mounted Enclosures made of Polycarbonate

15.75 x 23.62 x 5.20" (400 x 600 x 132 mm)



Polycarbonate	Part Number
Grey cover, plain sides	3.140.0743.77
Transp. cover*, plain sides	3.140.0744.52

Assembly and machining services of your enclosures are available upon request. Drawings with additional dimensions can be furnished upon request.

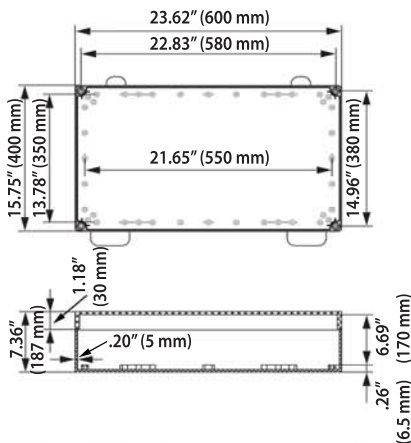
Accessories	Part Number
Mounting plate, 1,5 mm thick, galvanized steel	3.140.0647.36
DIN Rail, DIN 35, short side	3.140.0647.67



Assembly screws are included.
*Transparent cover always out of Polycarbonate

Additional accessories on page 57.

15.75 x 23.62 x 7.36" (400 x 600 x 187 mm)



Polycarbonate	Part Number
Grey cover, plain sides	3.140.0745.37
Transp. cover*, plain sides	3.140.0746.12

Assembly and machining services of your enclosures are available upon request. Drawings with additional dimensions can be furnished upon request.

Accessories	Part Number
Mounting plate, 1,5 mm thick, galvanized steel	3.140.0647.36
DIN Rail, DIN 35, short side	3.140.0647.67



This type Enclosure includes Extension Frame
Assembly screws are included.
*Transparent cover always out of Polycarbonate

Additional accessories on page 57.



Accessories for Series 14.

Series 14 – Accessories

Accessories

Outside Latches	Size inches (mm)	Part Number
Fastening Lugs, set	19 x 40 x 35.5" (.75 x 1.57 x 1.40 mm)	3.814.0647.81

Accessories

Adjustable Corner Clips for Mounting Plate	Size inches (mm)	Part Number
Adjustable corner clips for mounting plate incl. M5 screw	.75 / .75 x .55" 19 / 19 x 14	3.814.0647.98
Adjustable corner clips for mounting plate set incl. 4 pcs.	.79 / 1.02 x .55" 20 / 26 x 14	3.814.0816.96

Accessories

Brass Inserts	Size inches (mm)	Part Number
Threaded bushing for cover screws When cover mounted on the back	.71 / 1.18 x .63" 18 / 30 x 16 mm	3.814.0717.89

Brass Inserts	Size inches (mm)	Part Number
Threaded brass inserts	M3	3.814.0723.28
Set of threaded inserts (4 pieces)	M3	3.814.0723.35

Accessories

Cover Screws	Size inches (mm)	Part Number
Cover screws, slotted / cross head, sealable	.55 x 1.65" (14 x 42 mm)	3.814.0745.90
Cover screws, slotted / cross head, dark grey made of noryl	.55 x 1.65" (14 x 42 mm)	3.814.0747.28
Cover screws, slotted / cross head, for 600 mm modular cover	.55 x 1.26" (14 x 32 mm)	3.814.0743.60
Cover screws, spring loaded, cross head	.55 x 2.44" (14 x 62 mm)	3.814.0730.73
Cover screws, wing head	.55 x 2.17" (14 x 55 mm)	3.814.0717.62
Cover screws, DIN 3 head	.55 x 1.65" (14 x 42 mm)	3.814.0717.72
Cover screws set incl. 4 cover screws and 4 brass inserts	.67 x 1.18 / .71" (17 x 30 / 18 mm)	3.814.0717.02


Accessories

Mounting Screws	Size mm (inches)	Part Number
Mounting screws for plates and rails	.20 x .39" (5 x 10 mm)	3.814.0648.04

Series 14 – Accessories

Accessories

Hinges	Size mm (inches)	Part Number
Hinges (pair)	1.57 x 1.97 x .65" (40 x 50 x 16.5 mm)	3.814.0647.74
Hinges (pair), incl. 2 cover plugs	1.57 x 1.97 x .65" (40 x 50 x 16.5 mm)	3.814.0723.04




Accessories

Hinged Cover Screws	Size inches (mm)	Part Number
Hinged cover screw, slotted / cross head, sealable	.55 x 3.78" (14 x 96 mm)	3.814.0742.47
Hinged cover screw, wing head, blue, polyamide	.55 x 4.45" (14 x 113 mm)	3.814.0742.54



Accessories

Cover Plugs	Size inches (mm)	Part Number
Cover plugs, polyethylene	.43 x .59 / .67" 11 x 15 / 17 mm	3.814.0648.11




Accessories

Extension Frame Screw	Size mm (inches)	Part Number
Screws for extension frame	∅.67 x 2.64" (∅17 x 67 mm)	3.814.0748.03



Accessories

Key	Size inches (mm)	Part Number
Key for DIN head screw	1.97 x 1.97" (50 x 50 mm)	3.814.0724.10



Accessories

Self-tapping standoffs	Size inches (mm)	Part Number
4 M5 Steel screws included	.59 x .31" 15 x 8 mm	3.814.0718.02
4 Spacers included*	.59 x .31" 15 x 8 mm	3.814.0723.42
4 M5 Steel screws included	.79 x .31" 20 x 8 mm	3.814.0718.19
4 Spacers included*	.79 x .31" 20 x 8 mm	3.814.0723.59
4 M5 Steel screws included	1.18 x .31" 30 x 8 mm	3.814.0718.26
4 Spacers included*	1.18 x .31" 30 x 8 mm	3.814.0723.66

*Set consists of 4 spacers and 4 M5 screws made of steel.