

# Aluminium Enclosures

## Series 15 with smooth walls

HUMMEL aluminium enclosures are made of Al Si 12 and are RAL 7001 silver grey powder coated. Hinges can be mounted to its sides, latches to the bottom. Aluminium resist numerous alclis and chemicals as well as oil and gasoline. They are very impact resistant.

Enclosures are available plain or in any RAL color. Other sizes are available upon request

The following approved enclosures are available upon request:

Technical Information		Aluminium
Protection EN 60529		IP 66
Impact EN 50102 (+35 °C / -25 °C)		IK 09
Temperature range		-40 °C...+80 °C
Standard color		Grey RAL 7001
Gasket		Buna-N
Cover screws		Stainless steel



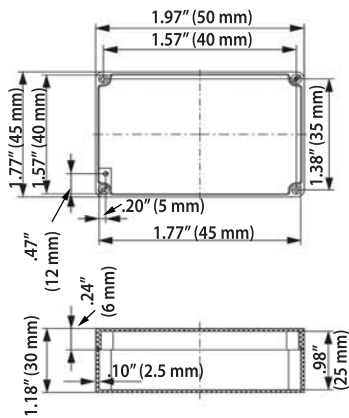
## Aluminium Enclosures

### 1.97 x 1.77 x 1.18" (50 x 45 x 30 mm)



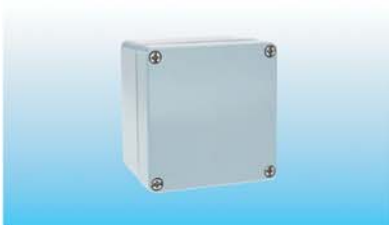
Aluminium	Part Number
Grey	3.150.0654.50

Assembly and machining services of your enclosures are available upon request. Drawings with additional dimensions can be furnished upon request.



Cover screws and assembly screws are included.

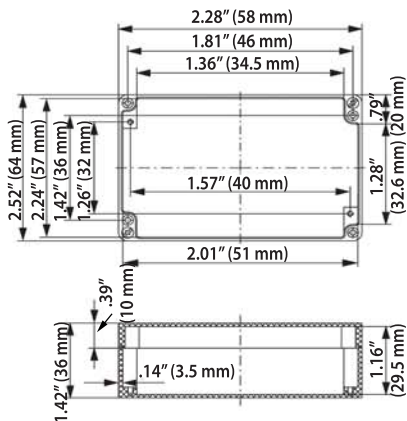
### 2.52 x 2.28 x 1.42" (64 x 58 x 36 mm)



Aluminium	Part Number
Grey	3.150.0657.71

Accessories	Part Number
Mounting plate, galvanized steel	3.150.0575.47

Assembly and machining services of your enclosures are available upon request. Drawings with additional dimensions can be furnished upon request.



Cover screws and assembly screws are included.



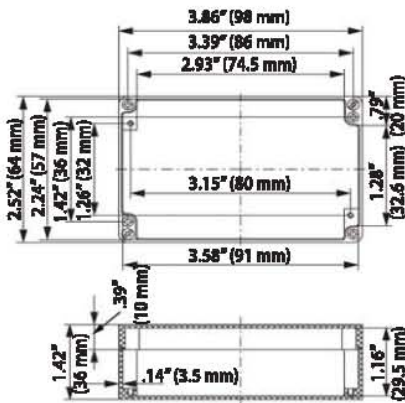
**2.52 x 3.86 x 1.42" (64 x 98 x 36 mm)**



Aluminium	Part Number
Grey	3.150.0657.88

Accessories	Part Number
Mounting plate, galvanized steel	3.150.0575.54

Assembly and machining services of your enclosures are available upon request. Drawings with additional dimensions can be furnished upon request.



Cover screws and assembly screws are included.

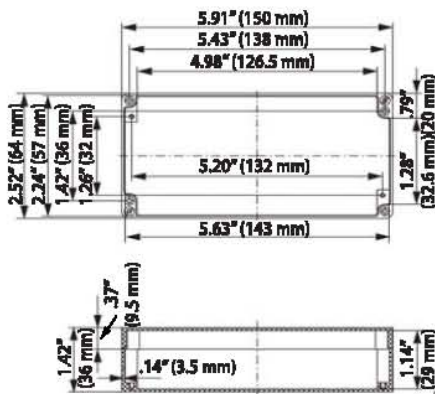
**2.52 x 5.91 x 1.42" (64 x 150 x 36 mm)**



Aluminium	Part Number
Grey	3.150.0657.95

Accessories	Part Number
Mounting plate, galvanized steel	3.150.0575.61

Assembly and machining services of your enclosures are available upon request. Drawings with additional dimensions can be furnished upon request.



Cover screws and assembly screws are included.

## Aluminium Enclosures

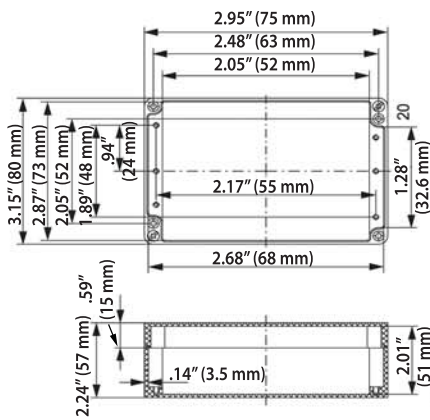
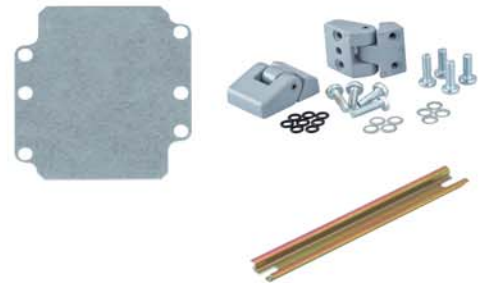
### 3.15 x 2.95 x 2.24" (80 x 75 x 57 mm)



Aluminium	Part Number
Grey	3.150.0658.01

Assembly and machining services of your enclosures are available upon request. Drawings with additional dimensions can be furnished upon request.

Accessories	Part Number
Mounting plate, galvanized steel	3.150.0575.78
DIN Rail, DIN 15	3.150.0570.11
Hinges, pair	3.150.0577.45



Cover screws and assembly screws are included.

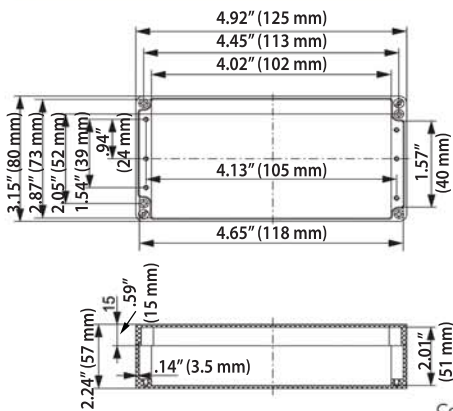
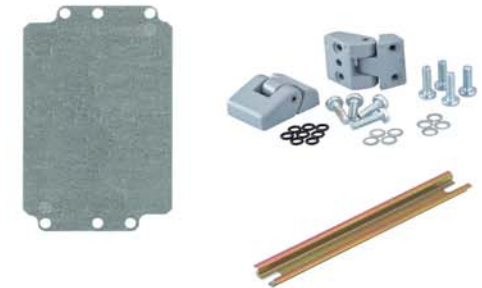
### 3.15 x 4.92 x 2.24" (80 x 125 x 57 mm)



Aluminium	Part Number
Grey	3.150.0658.18

Assembly and machining services of your enclosures are available upon request. Drawings with additional dimensions can be furnished upon request.

Accessories	Part Number
Mounting plate, galvanized steel	3.150.0575.85
DIN Rail, DIN 15	3.150.0570.28
Hinges, pair	3.150.0577.45



Cover screws and assembly screws are included.

Aluminium Enclosures

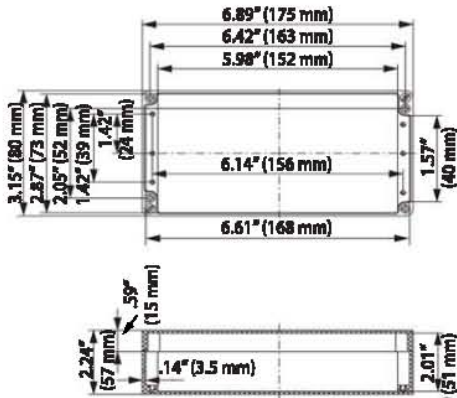
**3.15 x 6.89 x 2.24" (80 x 175 x 57 mm)**



Aluminium	Part Number
Grey	3.150.0658.25

Assembly and machining services of your enclosures are available upon request. Drawings with additional dimensions can be furnished upon request.

Accessories	Part Number
Mounting plate, galvanized steel	3.150.0575.92
DIN Rail, DIN 15	3.150.0570.35
Hinges, pair	3.150.0577.45



Cover screws and assembly screws are included.



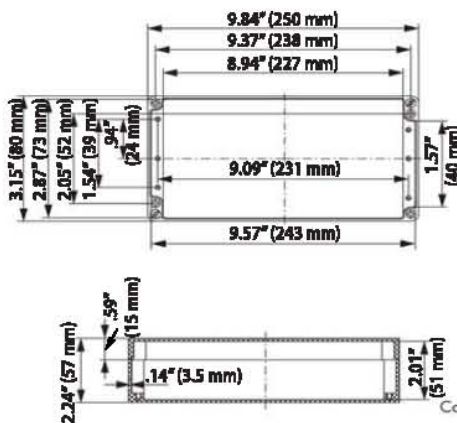
**3.15 x 9.84 x 2.24" (80 x 250 x 57 mm)**



Aluminium	Part Number
Grey	3.150.0658.32

Assembly and machining services of your enclosures are available upon request. Drawings with additional dimensions can be furnished upon request.

Accessories	Part Number
Mounting plate, galvanized steel	3.150.0573.87
DIN Rail, DIN 15	3.150.0570.42
Hinges, pair	3.150.0577.45

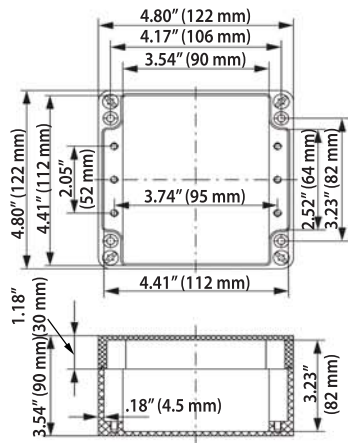


Cover screws and assembly screws are included.



## Aluminium Enclosures

### 4.80 x 4.80 x 3.54" (122 x 122 x 90 mm)



Aluminium	Part Number
Grey	3.150.0658.49

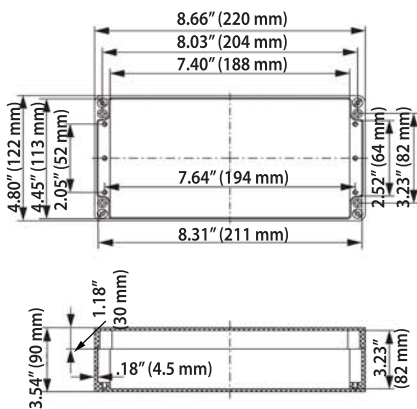
Assembly and machining services of your enclosures are available upon request. Drawings with additional dimensions can be furnished upon request.

Accessories	Part Number
Mounting plate, galvanized steel	3.150.0576.08
DIN Rail, DIN 32	3.150.0571.72
DIN Rail, DIN 35	3.150.0570.59
Hinges, pair	3.150.0569.53
Fastening lugs, AISI 304	3.150.0569.77



Cover screws and assembly screws are included.

### 4.80 x 8.66 x 3.54" (122 x 220 x 90 mm)



Aluminium	Part Number
Grey	3.150.0658.56

Assembly and machining services of your enclosures are available upon request. Drawings with additional dimensions can be furnished upon request.

Accessories	Part Number
Mounting plate, galvanized steel	3.150.0576.15
DIN Rail, DIN 32	3.150.0571.89
DIN Rail, DIN 35	3.150.0570.66
Hinges, pair	3.150.0569.53
Fastening lugs, AISI 304	3.150.0569.77



Cover screws and assembly screws are included.

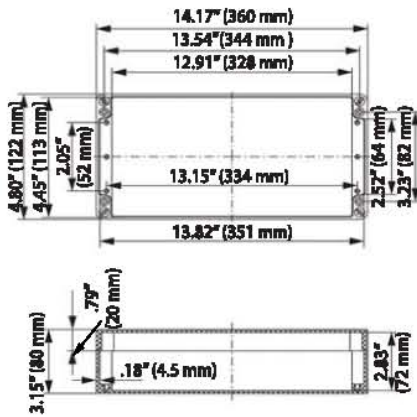
**4.80 x 14.17 x 3.15" (122 x 360 x 80 mm)**



Aluminium	Part Number
Grey	3.150.0658.63

Assembly and machining services of your enclosures are available upon request. Drawings with additional dimensions can be furnished upon request.

Accessories	Part Number
Mounting plate, galvanized steel	3.150.0576.22
DIN Rail, DIN 32	3.150.0571.96
DIN Rail, DIN 35	3.150.0570.73
Hinges, pair	3.150.0569.53
Fastening lugs, AISI 304	3.150.0569.77



Cover screws and assembly screws are included.



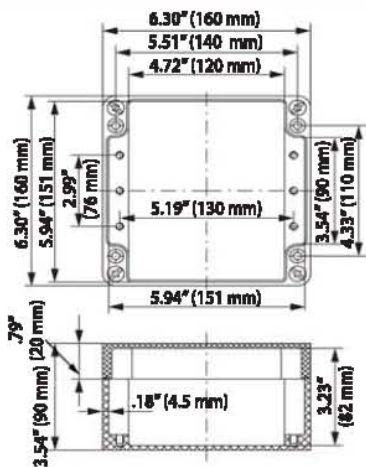
**6.30 x 6.30 x 3.54" (160 x 160 x 90 mm)**



Aluminium	Part Number
Grey	3.150.0658.70

Assembly and machining services of your enclosures are available upon request. Drawings with additional dimensions can be furnished upon request.

Accessories	Part Number
Mounting plate, galvanized steel	3.150.0576.39
DIN Rail, DIN 32	3.150.0572.02
DIN Rail, DIN 35	3.150.0570.80
Hinges, pair	3.150.0569.53
Fastening lugs, AISI 304	3.150.0569.77



Cover screws and assembly screws are included.



## Aluminium Enclosures

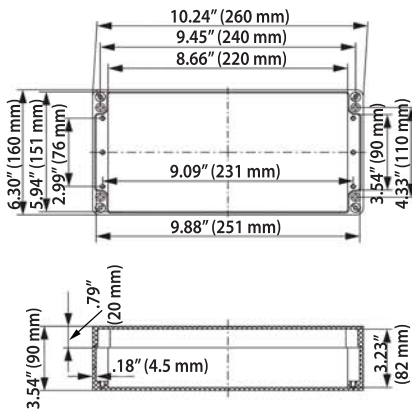
### 6.30 x 10.24 x 3.54" (160 x 260 x 90 mm)



Aluminium	Part Number
Grey	3.150.0658.87

Assembly and machining services of your enclosures are available upon request. Drawings with additional dimensions can be furnished upon request.

Accessories	Part Number
Mounting plate, galvanized steel	3.150.0576.46
DIN Rail, DIN 32	3.150.0572.19
DIN Rail, DIN 35	3.150.0570.97
Hinges, pair	3.150.0569.53
Fastening lugs, AISI 304	3.150.0569.77



Cover screws and assembly screws are included.



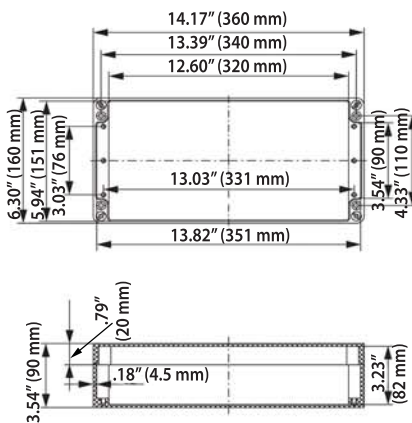
### 6.30 x 14.17 x 3.54" (160 x 360 x 90 mm)



Aluminium	Part Number
Grey	3.150.0658.94

Assembly and machining services of your enclosures are available upon request. Drawings with additional dimensions can be furnished upon request.

Accessories	Part Number
Mounting plate, galvanized steel	3.150.0576.53
DIN Rail, DIN 32	3.150.0571.96
DIN Rail, DIN 35	3.150.0570.73
Hinges, pair	3.150.0569.53
Fastening lugs, AISI 304	3.150.0569.77



Cover screws and assembly screws are included.



Aluminium Enclosures

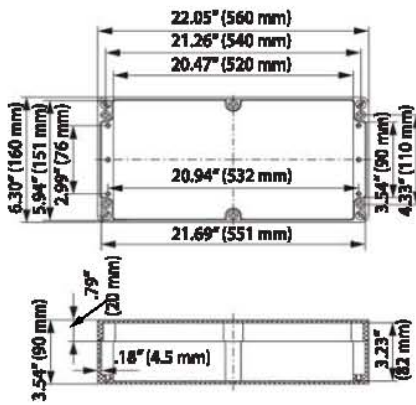
**6.30 x 22.05 x 3.54" (160 x 560 x 90 mm)**



Aluminium	Part Number
Grey	3.150.0659.00

Assembly and machining services of your enclosures are available upon request. Drawings with additional dimensions can be furnished upon request.

Accessories	Part Number
Mounting plate, galvanized steel	3.150.0576.60
DIN Rail, DIN 32	3.150.0572.26
DIN Rail, DIN 35	3.150.0571.03
Hinges, pair	3.150.0569.53
Fastening lugs, AISI 304	3.150.0569.77



Cover screws and assembly screws are included.



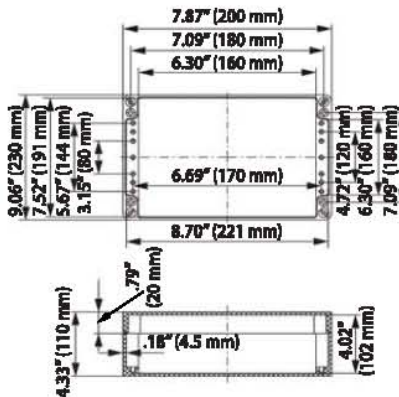
**7.87 x 9.06 x 4.33" (200 x 230 x 110 mm)**



Aluminium	Part Number
Grey	3.150.0659.17

Assembly and machining services of your enclosures are available upon request. Drawings with additional dimensions can be furnished upon request.

Accessories	Part Number
Mounting plate, galvanized steel	3.150.0576.77
DIN Rail, DIN 32	3.150.0572.33
DIN Rail, DIN 35	3.150.0571.10
Hinges, pair	3.150.0569.53
Fastening lugs, AISI 304	3.150.0569.78

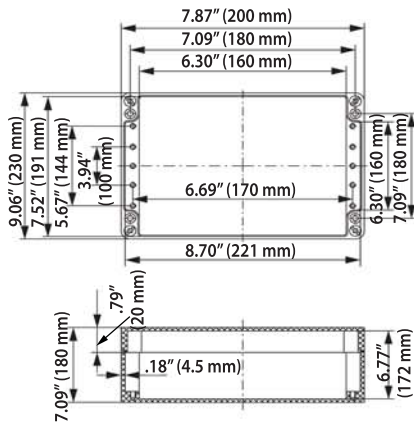
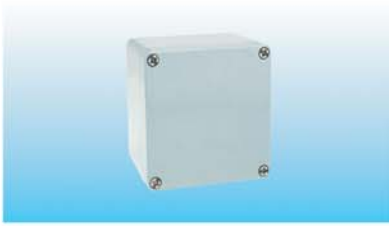


Cover screws and assembly screws are included.



## Aluminium Enclosures

### 7.87 x 9.06 x 7.09" (200 x 230 x 180 mm)



Aluminium	Part Number
Grey	3.150.0659.24

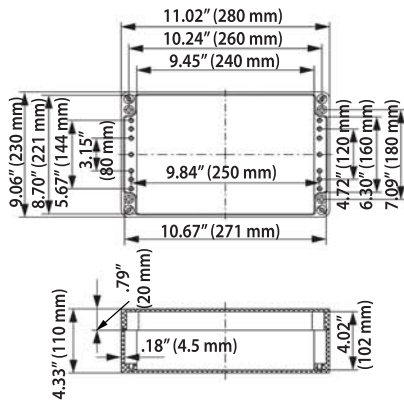
Assembly and machining services of your enclosures are available upon request. Drawings with additional dimensions can be furnished upon request.

Accessories	Part Number
Mounting plate, galvanized steel	3.150.0576.77
DIN Rail, DIN 32	3.150.0572.33
DIN Rail, DIN 35	3.150.0571.10
Hinges, pair	3.150.0569.53
Fastening lugs, AISI 304	3.150.0569.78



Cover screws and assembly screws are included.

### 9.06 x 11.02 x 4.33" (230 x 280 x 110 mm)



Aluminium	Part Number
Grey	3.150.0659.31

Assembly and machining services of your enclosures are available upon request. Drawings with additional dimensions can be furnished upon request.

Accessories	Part Number
Mounting plate, galvanized steel	3.150.0576.48
DIN Rail, DIN 32	3.150.0572.40
DIN Rail, DIN 35	3.150.0571.34
Hinges, pair	3.150.0569.53
Fastening lugs, AISI 304	3.150.0569.78



Cover screws and assembly screws are included.

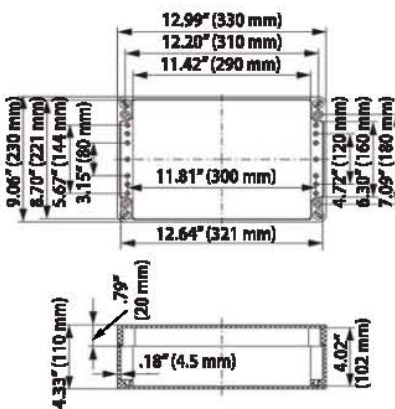
**9.06 x 12.99 x 4.33" (230 x 330 x 110 mm)**



Aluminium	Part Number
Grey	3.150.0659.48

Assembly and machining services of your enclosures are available upon request. Drawings with additional dimensions can be furnished upon request.

Accessories	Part Number
Mounting plate, galvanized steel	3.150.0576.91
DIN Rail, DIN 32	3.150.0572.57
DIN Rail, DIN 35	3.150.0571.41
Hinges, pair	3.150.0569.53
Fastening lugs, AISI 304	3.150.0569.78



Cover screws and assembly screws are included.



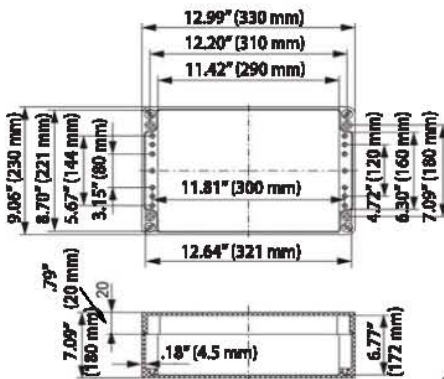
**9.06 x 12.99 x 7.09" (230 x 330 x 180 mm)**



Aluminium	Part Number
Grey	3.150.0659.55

Assembly and machining services of your enclosures are available upon request. Drawings with additional dimensions can be furnished upon request.

Accessories	Part Number
Mounting plate, galvanized steel	3.150.0576.91
DIN Rail, DIN 32	3.150.0572.57
DIN Rail, DIN 35	3.150.0571.41
Hinges, pair	3.150.0569.53
Fastening lugs, AISI 304	3.150.0569.78



Cover screws and assembly screws are included.



## Aluminium Enclosures

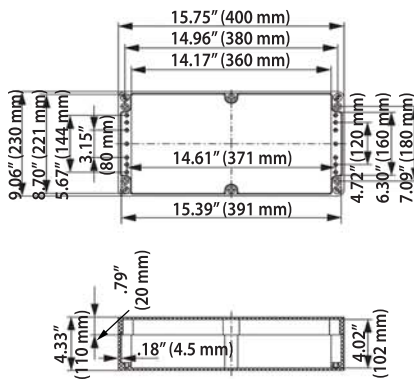
### 9.06 x 15.75 x 4.33" (230 x 400 x 110 mm)



Aluminium	Part Number
Grey	3.150.0659.62

Assembly and machining services of your enclosures are available upon request. Drawings with additional dimensions can be furnished upon request.

Accessories	Part Number
Mounting plate, galvanized steel	3.150.0577.07
DIN Rail, DIN 32	3.150.0572.64
DIN Rail, DIN 35	3.150.0571.58
Hinges, pair	3.150.0569.53
Fastening lugs, AISI 304	3.150.0569.78



Cover screws and assembly screws are included.



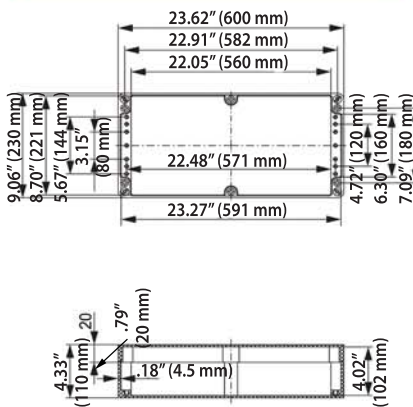
### 9.06 x 23.62 x 4.33" (230 x 600 x 110 mm)



Aluminium	Part Number
Grey	3.150.0659.79

Assembly and machining services of your enclosures are available upon request. Drawings with additional dimensions can be furnished upon request.

Accessories	Part Number
Mounting plate, galvanized steel	3.150.0577.14
DIN Rail, DIN 32	3.150.0572.71
DIN Rail, DIN 35	3.150.0571.65
Hinges, pair	3.150.0569.53
Fastening lugs, AISI 304	3.150.0569.78



Cover screws and assembly screws are included.



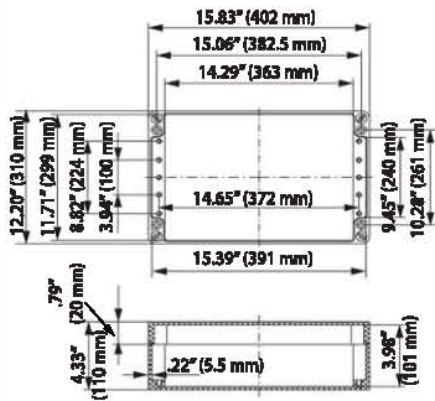
**12.20 x 15.83 x 4.33" (310 x 402 x 110 mm)**



Aluminium	Part Number
Grey	3.150.0659.86

Assembly and machining services of your enclosures are available upon request. Drawings with additional dimensions can be furnished upon request.

Accessories	Part Number
Mounting plate, galvanized steel	3.150.0577.21
DIN Rail, DIN 32	3.150.0572.64
DIN Rail, DIN 35	3.150.0571.58
Hinges, pair	3.150.0569.53
Fastening lugs, AISI 304	3.150.0569.78



Cover screws and assembly screws are included.



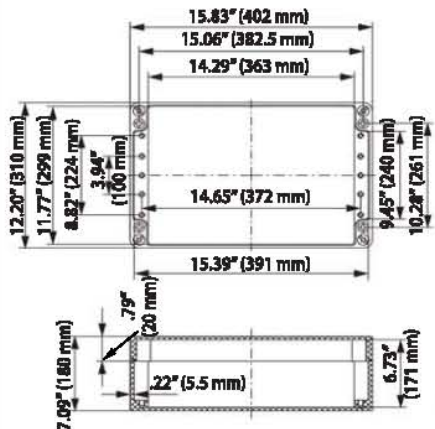
**12.20 x 15.83 x 7.09" (310 x 402 x 180 mm)**



Aluminium	Part Number
Grey	3.150.0659.93

Assembly and machining services of your enclosures are available upon request. Drawings with additional dimensions can be furnished upon request.

Accessories	Part Number
Mounting plate, galvanized steel	3.150.0577.21
DIN Rail, DIN 32	3.150.0572.64
DIN Rail, DIN 35	3.150.0571.58
Hinges, pair	3.150.0569.53
Fastening lugs, AISI 304	3.150.0569.78



Cover screws and assembly screws are included.



## Aluminium Enclosures

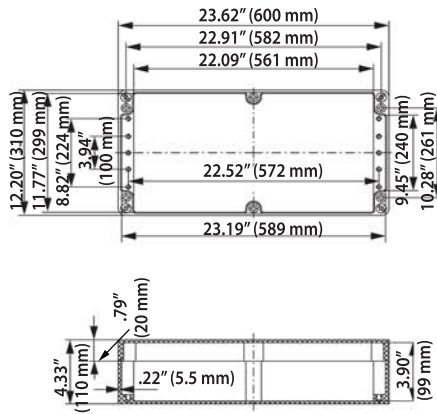
### 12.20 x 23.62 x 4.33" (310 x 600 x 110 mm)



Aluminium	Part Number
Grey	3.150.0660.06

Assembly and machining services of your enclosures are available upon request. Drawings with additional dimensions can be furnished upon request.

Accessories	Part Number
Mounting plate, galvanized steel	3.150.0577.38
DIN Rail, DIN 32	3.150.0572.71
DIN Rail, DIN 35	3.150.0571.65
Hinges, pair	3.150.0569.53
Fastening lugs, AISI 304	3.150.0569.78



Cover screws and assembly screws are included.



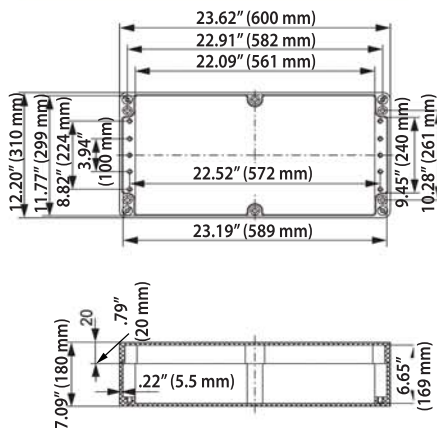
### 12.20 x 23.62 x 7.09" (310 x 600 x 180 mm)



Aluminium	Part Number
Grey	3.150.0660.13

Assembly and machining services of your enclosures are available upon request. Drawings with additional dimensions can be furnished upon request.

Accessories	Part Number
Mounting plate, galvanized steel	3.150.0577.38
DIN Rail, DIN 32	3.150.0572.71
DIN Rail, DIN 35	3.150.0571.65
Hinges, pair	3.150.0569.53
Fastening lugs, AISI 304	3.150.0569.78



Cover screws and assembly screws are included.

