

Enclosures made of Polyester

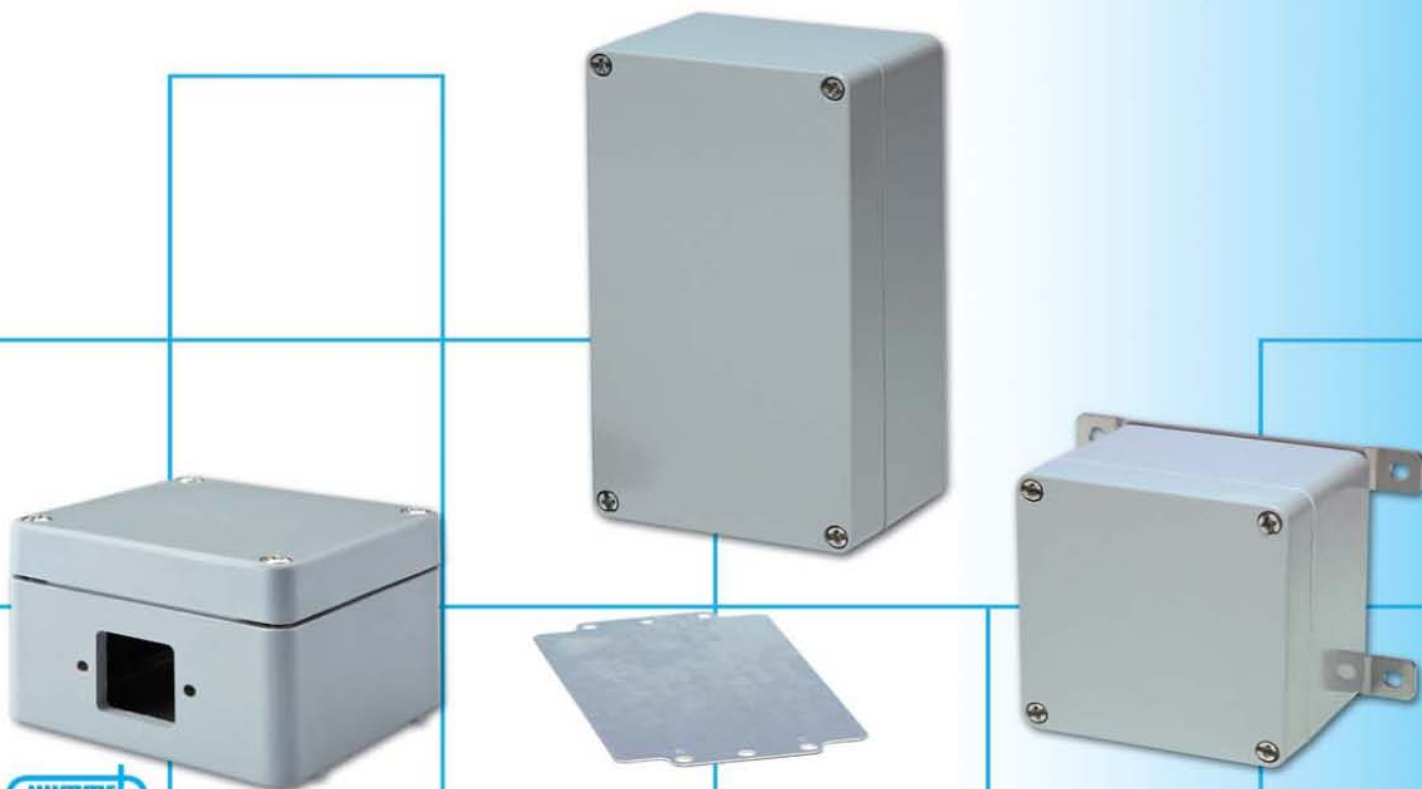
Series 17 with smooth walls

Enclosures are made of fiber reinforced Polyester. They feature plain walls and captive stainless steel screws for the cover.

Due to their rugged construction, very good corrosion and chemical resistance, these Enclosures are suitable for chemical, and petrochemical environments.

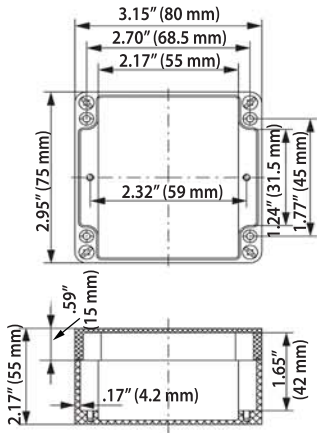


Technical Information		Polyester
Protection EN 60529		IP 65
Impact EN 50102		IK 07
(+35 °C / -25 °C)		
Temperature range		-40 °C...+100 °C
Standard color		Grey RAL 7000
Gasket		Buna-N
Cover screws made of		AISI 304
Stainless steel		
Fire resistance per UL 94		V-0



Enclosures made of Polyester

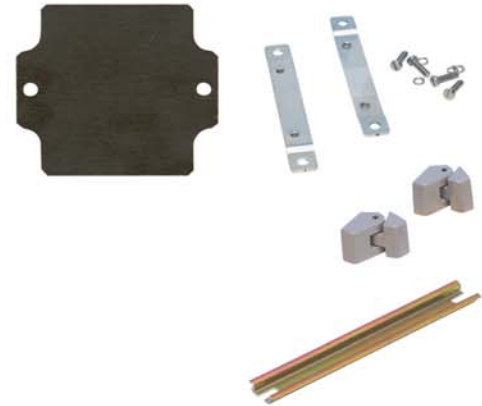
2.95 x 3.15 x 2.17" (75 x 80 x 55 mm)



Polyester	Part Number
Grey	3.170.0656.10

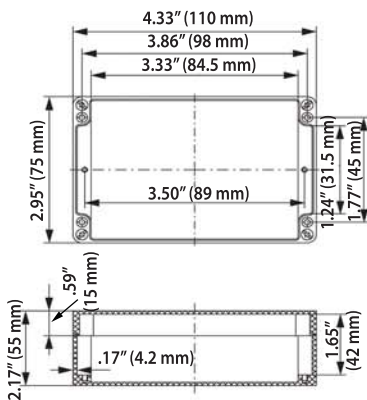
Assembly and machining services of your enclosures are available upon request. Drawings with additional dimensions can be furnished upon request.

Accessories	Part Number
Mounting plate made of Pertinax	3.170.0577.52
DIN Rail, DIN 15	3.170.0578.99
Hinges, pair	3.170.0578.82
Fastening lugs, AISI 304	3.170.0572.88



Cover screws are included.

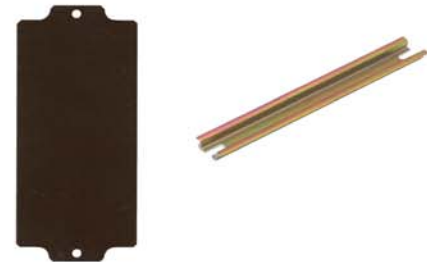
2.95 x 4.33 x 2.17" (75 x 110 x 55 mm)



Polyester	Part Number
Grey	3.170.0656.27

Assembly and machining services of your enclosures are available upon request. Drawings with additional dimensions can be furnished upon request.

Accessories	Part Number
Mounting plate made of Pertinax	3.170.0577.69
DIN Rail, DIN 15	3.170.0579.05



Cover screws are included.

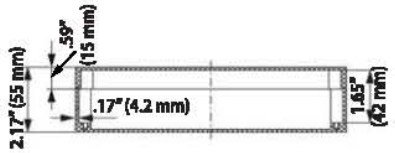
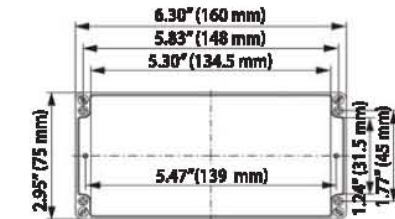
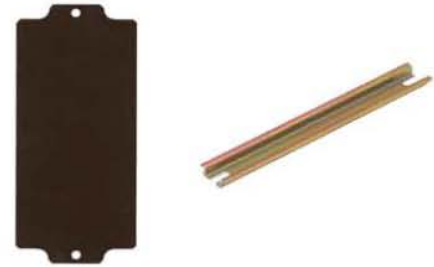
2.95 x 6.30 x 2.17" (75 x 160 x 55 mm)



Polyester	Part Number
Grey	3.170.0656.34

Assembly and machining services of your enclosures are available upon request. Drawings with additional dimensions can be furnished upon request.

Accessories	Part Number
Mounting plate made of Pertinax	3.170.0577.96
DIN Rail, DIN 15	3.170.0579.12



Cover screws are included.

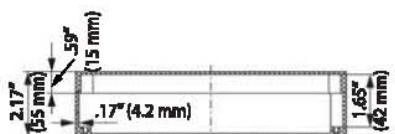
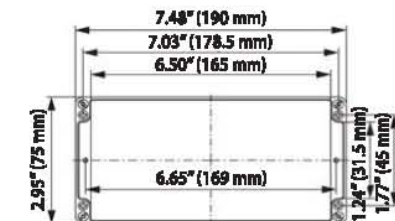
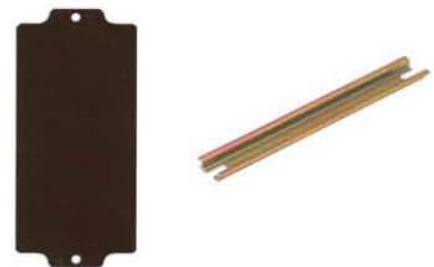
2.95 x 7.48 x 2.17" (75 x 190 x 55 mm)



Polyester	Part Number
Grey	3.170.0656.41

Assembly and machining services of your enclosures are available upon request. Drawings with additional dimensions can be furnished upon request.

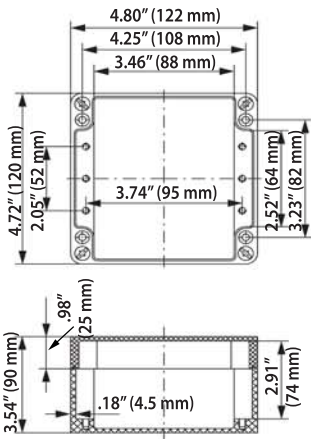
Accessories	Part Number
Mounting plate made of Pertinax	3.170.0577.83
DIN Rail, DIN 15	3.170.0579.29



Cover screws are included.

Enclosures made of Polyester

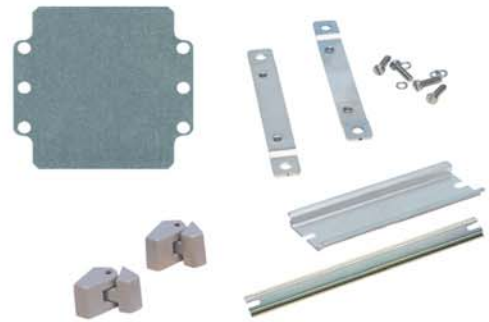
4.72 x 4.80 x 3.54" (120 x 122 x 90 mm)



Polyester	Part Number
Grey	3.170.0656.58

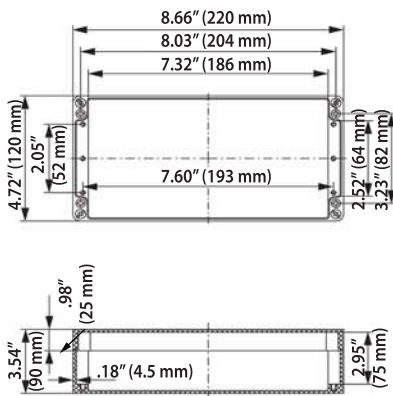
Assembly and machining services of your enclosures are available upon request. Drawings with additional dimensions can be furnished upon request.

Accessories	Part Number
Mounting plate, galvanized steel	3.170.0577.90
DIN Rail, DIN 32	3.170.0571.72
DIN Rail, DIN 35	3.170.0570.59
Hinges, pair	3.170.0578.82
Fastening lugs, AISI 304	3.170.0572.95



Cover screws are included.

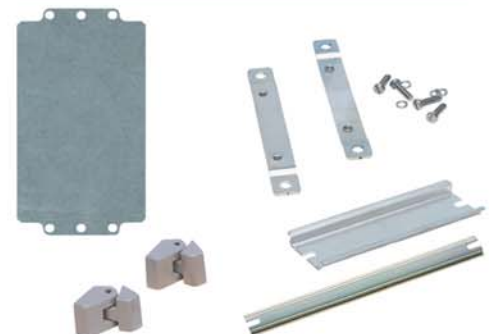
4.72 x 8.66 x 3.54" (120 x 220 x 90 mm)



Polyester	Part Number
Grey	3.170.0656.72

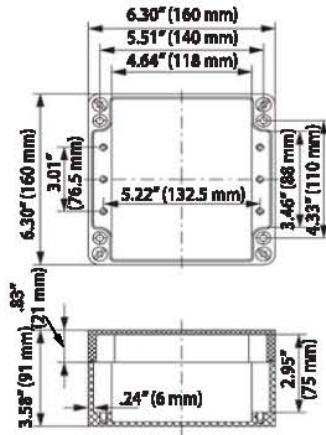
Assembly and machining services of your enclosures are available upon request. Drawings with additional dimensions can be furnished upon request.

Accessories	Part Number
Mounting plate, galvanized steel	3.170.0578.06
DIN Rail, DIN 32	3.170.0571.89
DIN Rail, DIN 35	3.170.0570.66
Hinges, pair	3.170.0578.82
Fastening lugs, AISI 304	3.170.0572.95



Cover screws are included.

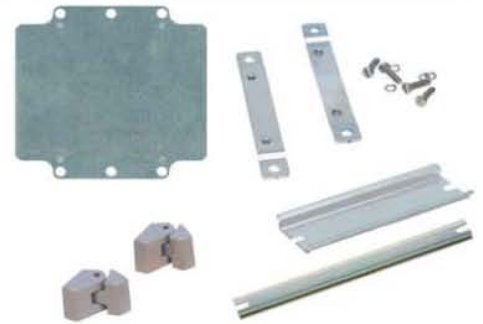
6.30 x 6.30 x 3.58" (160 x 160 x 91 mm)



Polyester	Part Number
Grey	3.170.0656.89

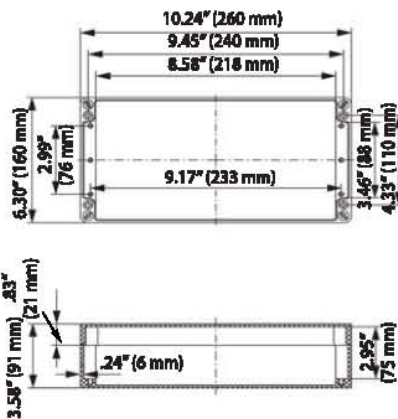
Assembly and machining services of your enclosures are available upon request. Drawings with additional dimensions can be furnished upon request.

Accessories	Part Number
Mounting plate, galvanized steel	3.170.0578.13
DIN Rail, DIN 32	3.170.0572.02
DIN Rail, DIN 35	3.170.0570.80
Hinges, pair	3.170.0578.82
Fastening lugs, AISI 304	3.170.0573.01



Cover screws are included.

6.30 x 10.24 x 3.58" (160 x 260 x 91 mm)



Polyester	Part Number
Grey	3.170.0657.02

Assembly and machining services of your enclosures are available upon request. Drawings with additional dimensions can be furnished upon request.

Accessories	Part Number
Mounting plate, galvanized steel	3.170.0578.20
DIN Rail, DIN 32	3.170.0572.19
DIN Rail, DIN 35	3.170.0570.97
Hinges, pair	3.170.0578.82
Fastening lugs, AISI 304	3.170.0573.01



Cover screws are included.

Enclosures made of Polyester

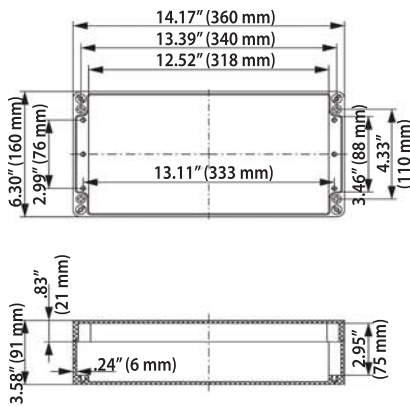
6.30 x 14.17 x 3.58" (160 x 360 x 91 mm)



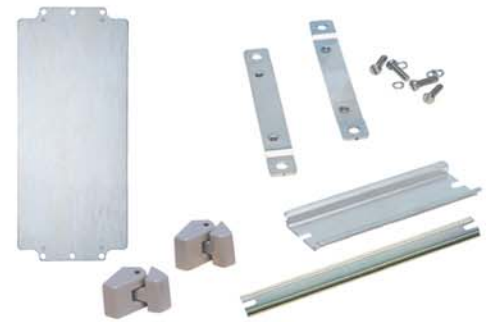
Polyester	Part Number
Grey	3.170.0657.19

Assembly and machining services of your enclosures are available upon request. Drawings with additional dimensions can be furnished upon request.

Accessories	Part Number
Mounting plate, galvanized steel	3.170.0578.37
DIN Rail, DIN 32	3.170.0580.87
DIN Rail, DIN 35	3.170.0579.74
Hinges, pair	3.170.0578.82
Fastening lugs, AISI 304	3.170.0573.01



Cover screws are included.



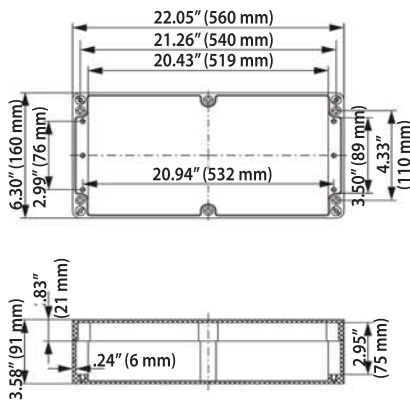
6.30 x 22.05 x 3.58" (160 x 560 x 91 mm)



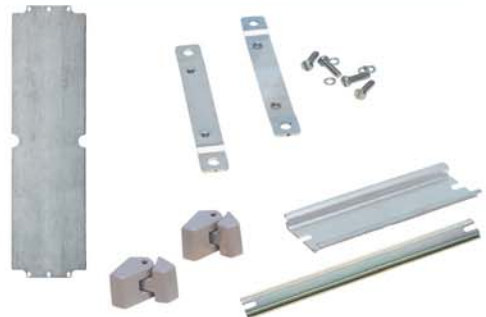
Polyester	Part Number
Grey	3.170.0657.26

Assembly and machining services of your enclosures are available upon request. Drawings with additional dimensions can be furnished upon request.

Accessories	Part Number
Mounting plate, galvanized steel	3.170.0578.44
DIN Rail, DIN 32	3.170.0572.26
DIN Rail, DIN 35	3.170.0571.03
Hinges, pair	3.170.0578.82
Fastening lugs, AISI 304	3.170.0573.01



Cover screws are included.



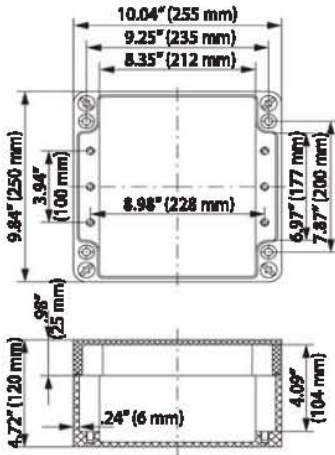
9.84 x 10.04 x 4.72" (250 x 255 x 120 mm)



Polyester	Part Number
Grey	3.170.0657.33

Assembly and machining services of your enclosures are available upon request. Drawings with additional dimensions can be furnished upon request.

Accessories	Part Number
Mounting plate, galvanized steel	3.170.0578.51
DIN Rail, DIN 32	3.170.0581.00
DIN Rail, DIN 35	3.170.0579.98
Hinges, pair	3.170.0578.82
Fastening lugs, AISI 304	3.170.0573.18



Cover screws are included.



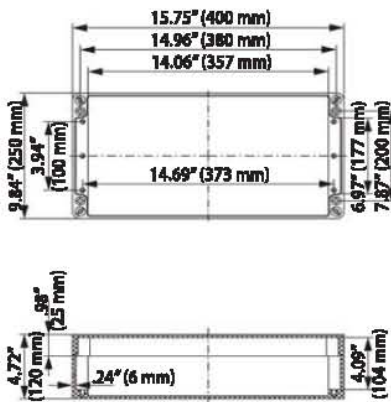
9.84 x 15.75 x 4.72" (250 x 400 x 120 mm)



Polyester	Part Number
Grey	3.170.0657.57

Assembly and machining services of your enclosures are available upon request. Drawings with additional dimensions can be furnished upon request.

Accessories	Part Number
Mounting plate, galvanized steel	3.170.0578.68
DIN Rail, DIN 32	3.170.0581.17
DIN Rail, DIN 35	3.170.0580.01
Hinges, pair	3.170.0578.82
Fastening lugs, AISI 304	3.170.0573.18

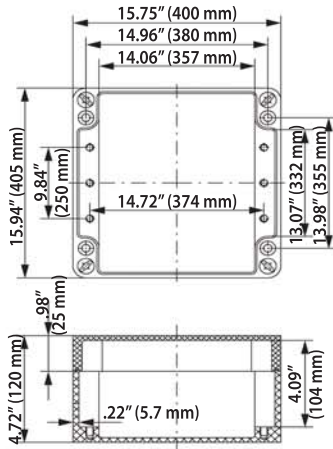


Cover screws are included.



Enclosures made of Polyester

400 x 405 x 120 mm



Polyester	Part Number
Grey	3.170.0657.64

Assembly and machining services of your enclosures are available upon request. Drawings with additional dimensions can be furnished upon request.

Accessories	Part Number
Mounting plate, galvanized steel	3.170.0578.75
DIN Rail, DIN 32	3.170.0581.17
DIN Rail, DIN 35	3.170.0580.01
Hinges, pair	3.170.0578.82
Fastening lugs, AISI 304	3.170.0573.25



Cover screws are included.