

Enclosures made of Stainless Steel

Series 19 with smooth walls

These Enclosures are made of 304 Stainless Steel used in terminal boxes.

We offer acid resistant AISI 316 Stainless Steel solutions upon demand.

Standard equipment includes a perforated mounting angle to facilitate installation of the mounting plate or DIN rails. This makes it possible to drill access holes for cables anywhere along the sidewalls.

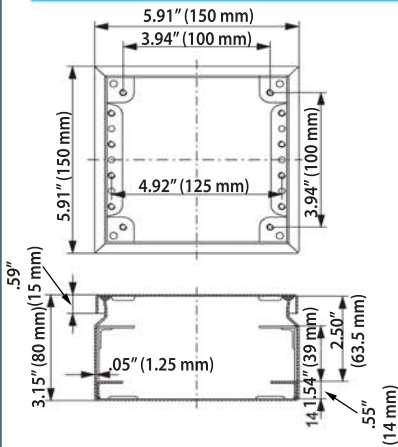
The following approved Enclosures are available upon request:

Technical Information		Stainless Steel
Protection EN 60529		IP 66
Impact EN 50102		IK 09
Standard color		AISI 304 natural
Gasket		PUR (Polyurethane)
Cover screws		Stainless steel
		AISI 304



Enclosures made of Stainless Steel

5.91 x 5.91 x 3.15" (150 x 150 x 80 mm)



Stainless Steel (AISI 304)	Part Number
Plain sides	3.190.0895.48

Assembly and machining services of your enclosures are available upon request. Drawings with additional dimensions can be furnished upon request.

We offer acid resistant AISI 316 Stainless Steel solutions upon demand.

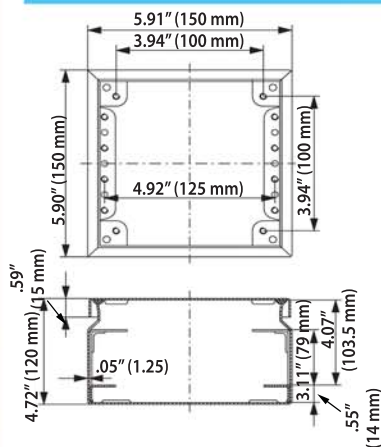
Accessories	Part Number
Mounting plate, 2 mm thick, galvanized steel	3.190.0573.94
DIN Rail, DIN 35	3.190.0568.78



Cover screws and seals as well as assembly screws and plugs are included.

Additional accessories available upon request

5.91 x 5.91 x 4.72" (150 x 150 x 120 mm)



Stainless Steel (AISI 304)	Part Number
Plain sides	3.190.0896.92

Assembly and machining services of your enclosures are available upon request. Drawings with additional dimensions can be furnished upon request.

We offer acid resistant AISI 316 Stainless Steel solutions upon demand.

Accessories	Part Number
Mounting plate, 2 mm thick, galvanized steel	3.190.0573.94
DIN Rail, DIN 35	3.190.0568.78

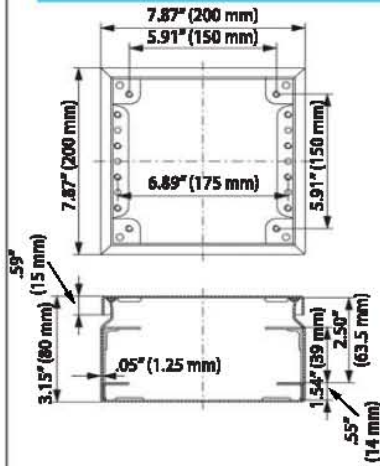


Cover screws and seals as well as assembly screws and plugs are included.

Additional accessories available upon request

Enclosures made of Stainless Steel

7.87 x 7.87 x 3.15" (200 x 200 x 80 mm)



Stainless Steel (AISI 304)	Part Number
Plain sides	3.190.0895.55

Assembly and machining services of your enclosures are available upon request. Drawings with additional dimensions can be furnished upon request.

We offer acid resistant AISI 316 Stainless Steel solutions upon demand.

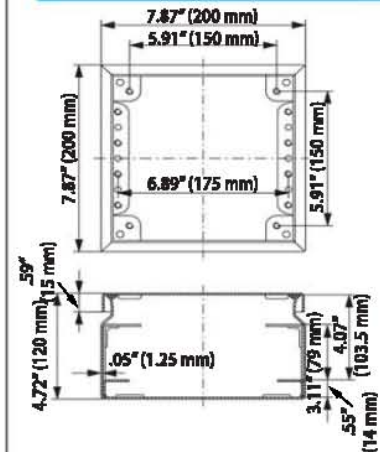
Accessories	Part Number
Mounting plate, 2 mm thick, galvanized steel	3.190.0574.17
DIN Rail, DIN 35	3.190.0568.85



Cover screws and seals as well as assembly screws and plugs are included.

Additional accessories available upon request

7.87 x 7.87 x 4.72" (200 x 200 x 120 mm)



Stainless Steel (AISI 304)	Part Number
Plain sides	3.190.0897.08

Assembly and machining services of your enclosures are available upon request. Drawings with additional dimensions can be furnished upon request.

We offer acid resistant AISI 316 Stainless Steel solutions upon demand.

Accessories	Part Number
Mounting plate, 2 mm thick, galvanized steel	3.190.0574.17
DIN Rail, DIN 35	3.190.0568.85

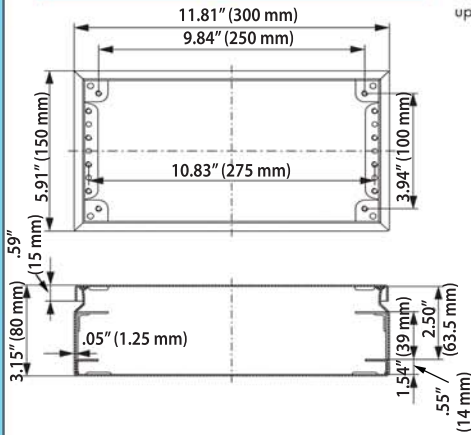


Cover screws and seals as well as assembly screws and plugs are included.

Additional accessories available upon request

Enclosures made of Stainless Steel

11.81 x 5.91 x 3.15" (300 x 150 x 80 mm)

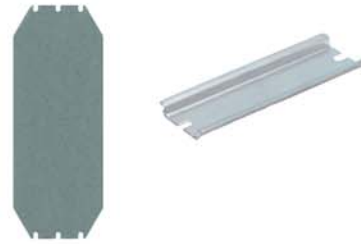


Stainless Steel (AISI 304)	Part Number
Plain sides	3.190.0895.62

Assembly and machining services of your enclosures are available upon request. Drawings with additional dimensions can be furnished upon request.

We offer acid resistant AISI 316 Stainless Steel solutions upon demand.

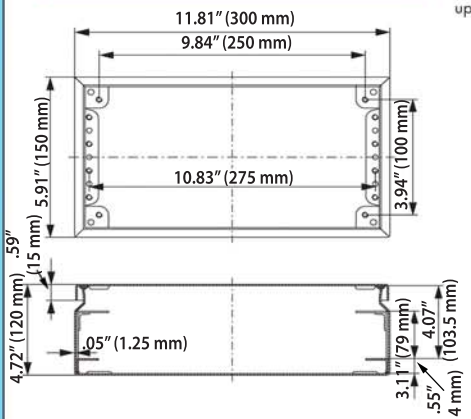
Accessories	Part Number
Mounting plate, 2 mm thick, galvanized steel	3.190.0994.62
DIN Rail, DIN 35	3.190.0568.92



Cover screws and seals as well as assembly screws and plugs are included.

Additional accessories available upon request

11.81 x 5.91 x 4.72" (300 x 150 x 120 mm)

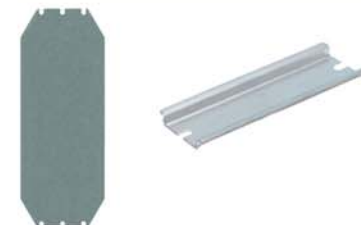


Stainless Steel (AISI 304)	Part Number
Plain sides	3.190.0897.15

Assembly and machining services of your enclosures are available upon request. Drawings with additional dimensions can be furnished upon request.

We offer acid resistant AISI 316 Stainless Steel solutions upon demand.

Accessories	Part Number
Mounting plate, 2 mm thick, galvanized steel	3.190.0994.62
DIN Rail, DIN 35	3.190.0568.92



Cover screws and seals as well as assembly screws and plugs are included.

Additional accessories available upon request

Enclosures made of Stainless Steel

11.81 x 7.87 x 3.15" (300 x 200 x 80 mm)

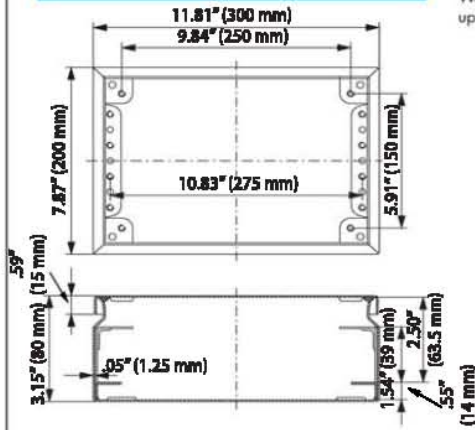


Stainless Steel (AISI 304)	Part Number
Plain sides	3.190.0895.79

Accessories	Part Number
Mounting plate, 2 mm thick, galvanized steel	3.190.0994.79
DIN Rail, DIN 35	3.190.0568.92

Assembly and machining services of your enclosures are available upon request. Drawings with additional dimensions can be furnished upon request.

We offer acid resistant AISI 316 Stainless Steel solutions upon demand.



Cover screws and seals as well as assembly screws and plugs are included.

Additional accessories available upon request

11.81 x 7.87 x 4.72" (300 x 200 x 120 mm)

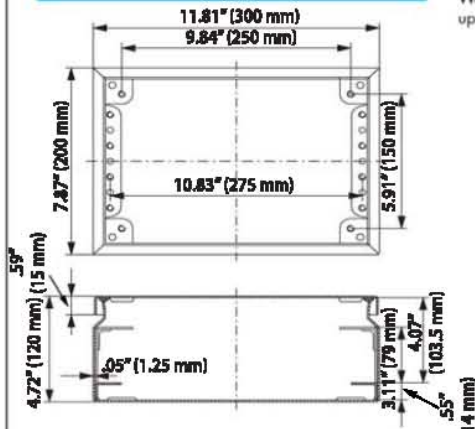


Stainless Steel (AISI 304)	Part Number
Plain sides	3.190.0897.22

Accessories	Part Number
Mounting plate, 2 mm thick, galvanized steel	3.190.0994.79
DIN Rail, DIN 35	3.190.0568.92

Assembly and machining services of your enclosures are available upon request. Drawings with additional dimensions can be furnished upon request.

We offer acid resistant AISI 316 Stainless Steel solutions upon demand.

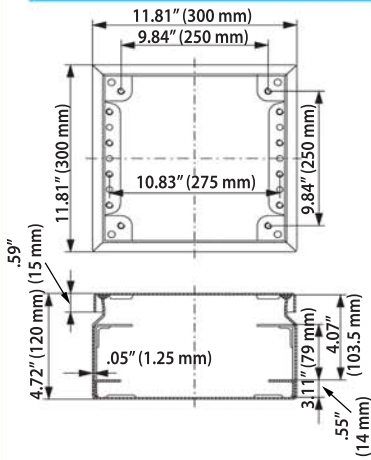


Cover screws and seals as well as assembly screws and plugs are included.

Additional accessories available upon request

Enclosures made of Stainless Steel

11.81 x 11.81 x 4.72" (300 x 300 x 120 mm)



Stainless Steel (AISI 304)	Part Number
----------------------------	-------------

Plain sides	3.190.0897.39
-------------	---------------

Assembly and machining services of your enclosures are available upon request. Drawings with additional dimensions can be furnished upon request.

We offer acid resistant AISI 316 Stainless Steel solutions upon demand.

Accessories	Part Number
-------------	-------------

Mounting plate, 2 mm thick, galvanized steel	3.190.0574.79
--	---------------

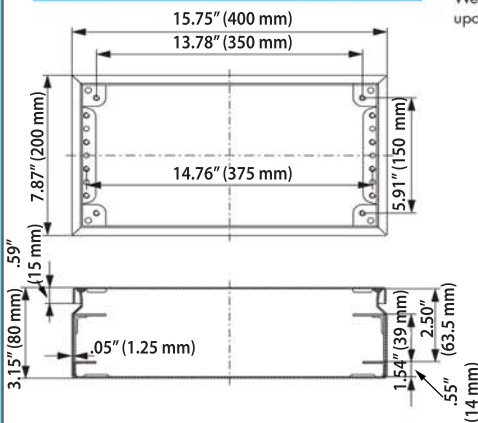
DIN Rail, DIN 35	3.190.0568.92
------------------	---------------



Cover screws and seals as well as assembly screws and plugs are included.

Additional accessories available upon request

15.75 x 7.87 x 3.15" (400 x 200 x 80 mm)



Stainless Steel (AISI 304)	Part Number
----------------------------	-------------

Plain sides	3.190.0895.93
-------------	---------------

Assembly and machining services of your enclosures are available upon request. Drawings with additional dimensions can be furnished upon request.

We offer acid resistant AISI 316 Stainless Steel solutions upon demand.

Accessories	Part Number
-------------	-------------

Mounting plate, 2 mm thick, galvanized steel	3.190.0994.86
--	---------------

DIN Rail, DIN 35	3.190.0569.08
------------------	---------------

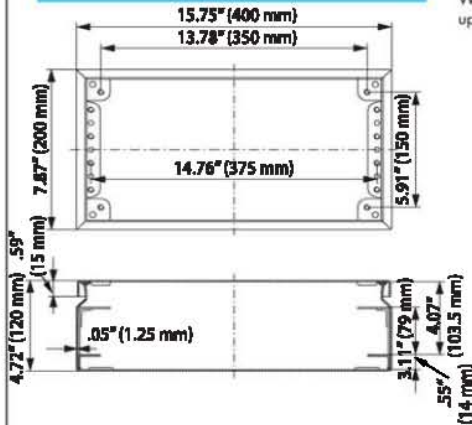


Cover screws and seals as well as assembly screws and plugs are included.

Additional accessories available upon request

Enclosures made of Stainless Steel

15.75 x 7.87 x 4.72" (400 x 200 x 120 mm)



Stainless Steel (AISI 304)	Part Number
Plain sides	3.190.0897.46

Assembly and machining services of your enclosures are available upon request. Drawings with additional dimensions can be furnished upon request.

We offer acid resistant AISI 316 Stainless Steel solutions upon demand.

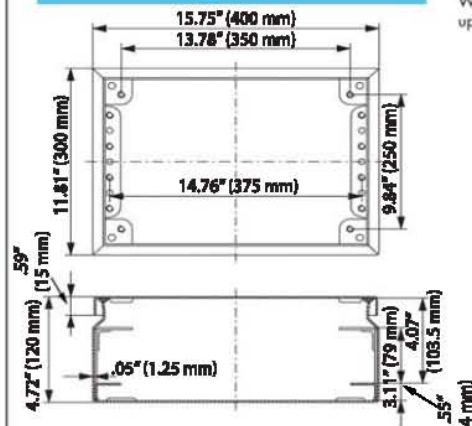
Accessories	Part Number
Mounting plate, 2 mm thick, galvanized steel	3.190.0994.86
DIN Rail, DIN 35	3.190.0569.08



Cover screws and seals as well as assembly screws and plugs are included.

Additional accessories available upon request

15.75 x 11.81 x 4.72" (400 x 300 x 120 mm)



Stainless Steel (AISI 304)	Part Number
Plain sides	3.190.0897.53

Assembly and machining services of your enclosures are available upon request. Drawings with additional dimensions can be furnished upon request.

We offer acid resistant AISI 316 Stainless Steel solutions upon demand.

Accessories	Part Number
Mounting plate, 2 mm thick, galvanized steel	3.190.0994.93
DIN Rail, DIN 35	3.190.0569.08

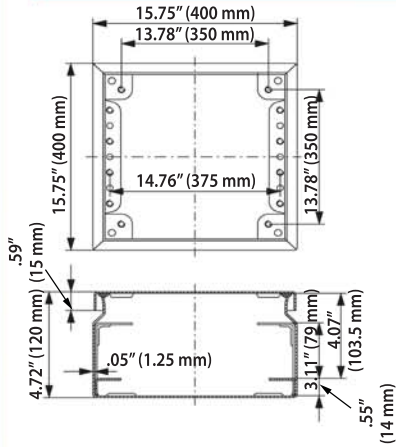


Cover screws and seals as well as assembly screws and plugs are included.

Additional accessories available upon request

Enclosures made of Stainless Steel

15.75 x 15.75 x 4.72" (400 x 400 x 120 mm)



Stainless Steel (AISI 304)	Part Number
Plain sides	3.190.0897.60

Assembly and machining services of your enclosures are available upon request. Drawings with additional dimensions can be furnished upon request.

We offer acid resistant AISI 316 Stainless Steel solutions upon demand.

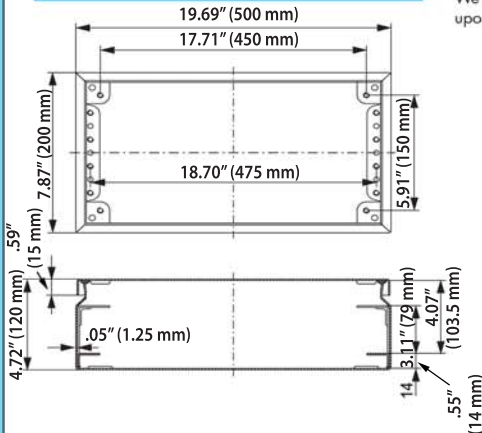
Accessories	Part Number
Mounting plate, 2 mm thick, galvanized steel	3.190.0575.16
DIN Rail, DIN 35	3.190.0569.08



Cover screws and seals as well as assembly screws and plugs are included.

Additional accessories available upon request

19.69 x 7.87 x 4.72" (500 x 200 x 120 mm)



Stainless Steel (AISI 304)	Part Number
Plain sides	3.190.0897.77

Assembly and machining services of your enclosures are available upon request. Drawings with additional dimensions can be furnished upon request.

We offer acid resistant AISI 316 Stainless Steel solutions upon demand.

Accessories	Part Number
Mounting plate, 2 mm thick, galvanized steel	3.190.0995.09
DIN Rail, DIN 35	3.190.0569.15



Cover screws and seals as well as assembly screws and plugs are included.

Additional accessories available upon request

Enclosures made of Stainless Steel

19.69 x 11.81 x 4.72" (500 x 300 x 120 mm)



Stainless Steel (AISI 304)	Part Number
Plain sides	3.190.0897.84

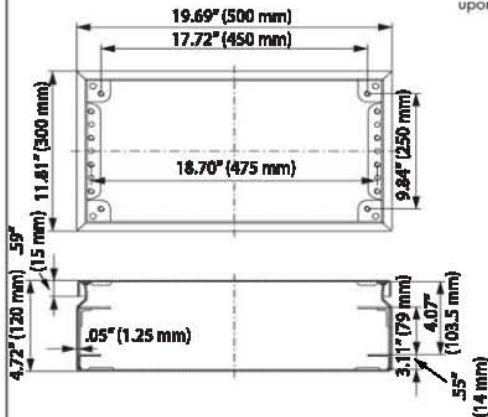
Assembly and machining services of your enclosures are available upon request. Drawings with additional dimensions can be furnished upon request.

We offer acid resistant AISI 316 Stainless Steel solutions upon demand.

Accessories	Part Number
Mounting plate, 2 mm thick, galvanized steel	3.190.0995.16
DIN Rail, DIN 35	3.190.0569.15



Additional accessories available upon request



Cover screws and seals as well as assembly screws and plugs are included.

23.62 x 7.87 x 3.15" (600 x 200 x 80 mm)



Stainless Steel (AISI 304)	Part Number
Plain sides	3.190.0896.47

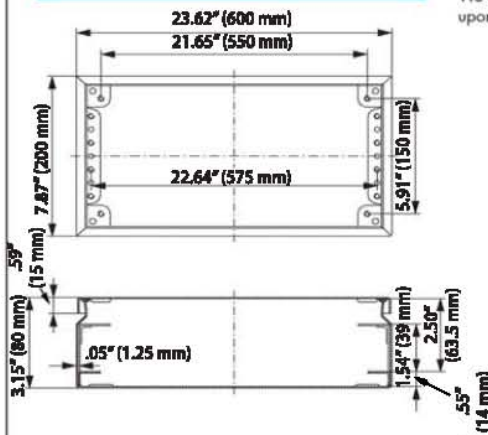
Assembly and machining services of your enclosures are available upon request. Drawings with additional dimensions can be furnished upon request.

We offer acid resistant AISI 316 Stainless Steel solutions upon demand.

Accessories	Part Number
Mounting plate, 2 mm thick, galvanized steel	3.190.0995.23
DIN Rail, DIN 35	3.190.0569.22



Additional accessories available upon request



Cover screws and seals as well as assembly screws and plugs are included.

Enclosures made of Stainless Steel

23.62 x 7.87 x 4.72" (600 x 200 x 120 mm)

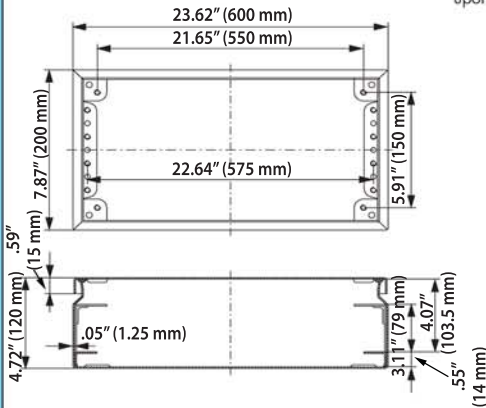


Stainless Steel (AISI 304)	Part Number
Plain sides	3.190.0897.91

Assembly and machining services of your enclosures are available upon request. Drawings with additional dimensions can be furnished upon request.

We offer acid resistant AISI 316 Stainless Steel solutions upon demand.

Accessories	Part Number
Mounting plate, 2 mm thick, galvanized steel	3.190.0995.23
DIN Rail, DIN 35	3.190.0569.22



Cover screws and seals as well as assembly screws and plugs are included.

Additional accessories available upon request

23.62 x 11.81 x 4.72" (600 x 300 x 120 mm)

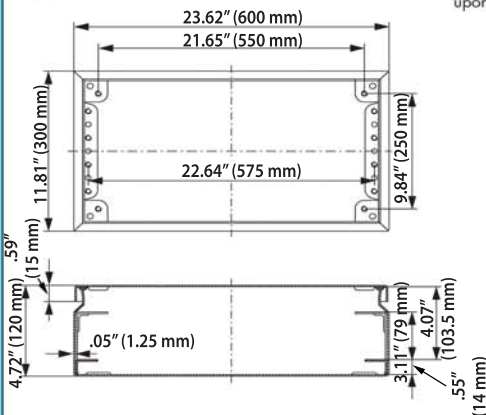


Stainless Steel (AISI 304)	Part Number
Plain sides	3.190.0898.07

Assembly and machining services of your enclosures are available upon request. Drawings with additional dimensions can be furnished upon request.

We offer acid resistant AISI 316 Stainless Steel solutions upon demand.

Accessories	Part Number
Mounting plate, 2 mm thick, galvanized steel	3.190.0995.30
DIN Rail, DIN 35	3.190.0569.22

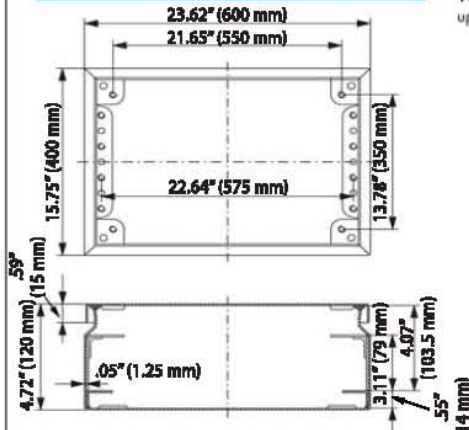


Cover screws and seals as well as assembly screws and plugs are included.

Additional accessories available upon request

Enclosures made of Stainless Steel

23.62 x 15.75 x 4.72" (600 x 400 x 120 mm)



Stainless Steel (AISI 304)	Part Number
Plain sides	3.190.0898.14

Assembly and machining services of your enclosures are available upon request. Drawings with additional dimensions can be furnished upon request.

We offer acid resistant AISI 316 Stainless Steel solutions upon demand.

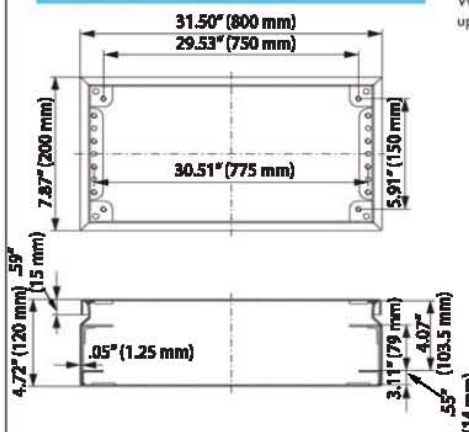
Accessories	Part Number
Mounting plate, 2 mm thick, galvanized steel	3.190.0995.47
DIN Rail, DIN 35	3.190.0569.22



Cover screws and seals as well as assembly screws and plugs are included.

Additional accessories available upon request

31.50 x 7.87 x 4.72" (800 x 200 x 120 mm)



Stainless Steel (AISI 304)	Part Number
Plain sides	3.190.0898.21

Assembly and machining services of your enclosures are available upon request. Drawings with additional dimensions can be furnished upon request.

We offer acid resistant AISI 316 Stainless Steel solutions upon demand.

Accessories	Part Number
Mounting plate, 2 mm thick, galvanized steel	3.190.0995.54
DIN Rail, DIN 35	3.190.0569.39



Cover screws and seals as well as assembly screws and plugs are included.

Additional accessories available upon request

Enclosures made of Stainless Steel

31.50 x 15.75 x 4.72" (800 x 400 x 120 mm)

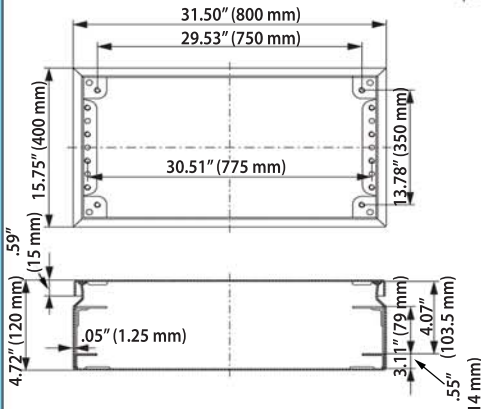


Stainless Steel (AISI 304)	Part Number
Plain sides	3.190.0898.38

Assembly and machining services of your enclosures are available upon request. Drawings with additional dimensions can be furnished upon request.

We offer acid resistant AISI 316 Stainless Steel solutions upon demand.

Accessories	Part Number
Mounting plate, 2 mm thick, galvanized steel	3.190.0995.61
DIN Rail, DIN 35	3.190.0569.39



Cover screws and seals as well as assembly screws and plugs are included.

Additional accessories available upon request