

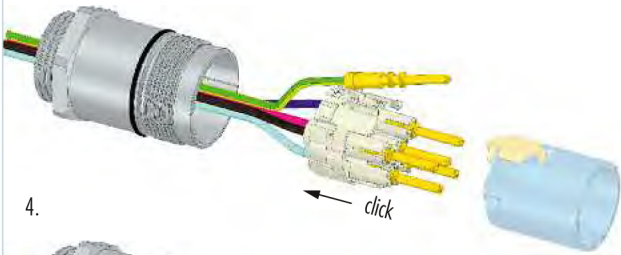
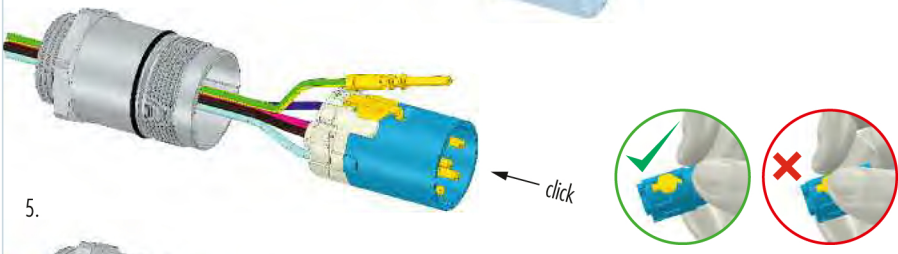
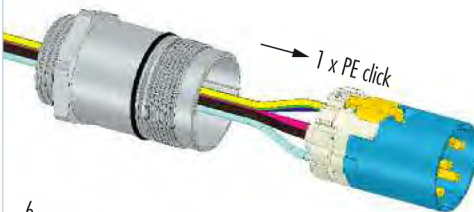






### Assembly Instructions

#### Panel Connector, Male Thread, Single Hole Mounted

1. 
2.  **crimp**
3.  **click**
4.  **click**
5.  **1 x PE click**
6.  **click**

 **x**  
 Contact  $\varnothing$  1 mm = max. 4 mm stripping length  
 Contact  $\varnothing$  2 mm = max. 7 mm stripping length

