

4

3

2

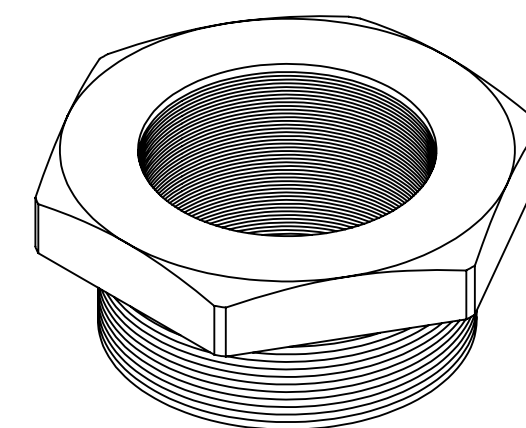
1

D

C

B

A

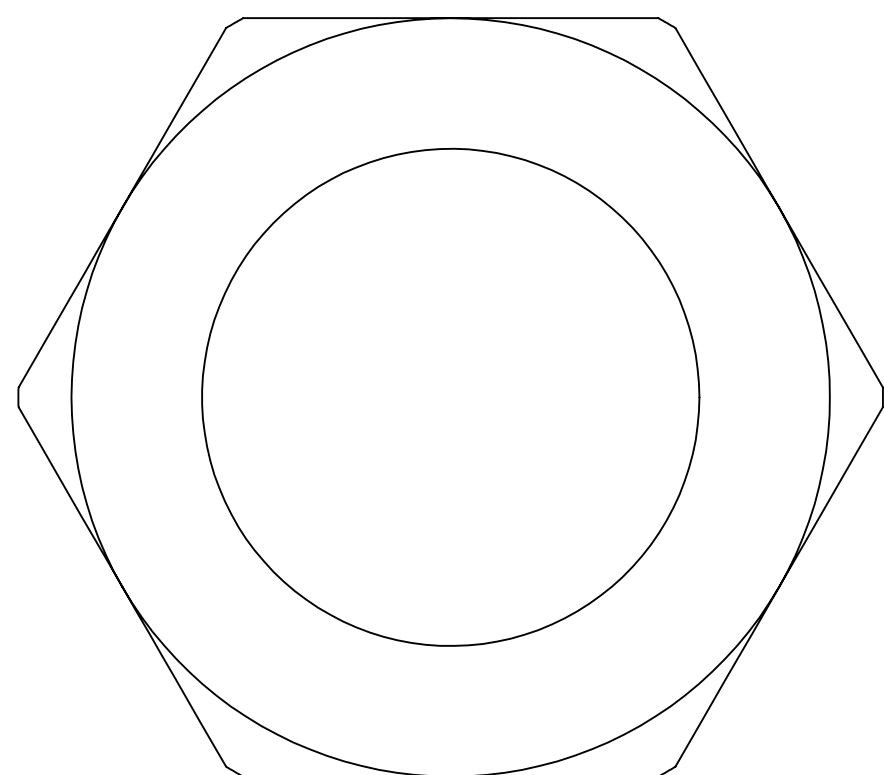


M16 x 1.5

0.24

0.37

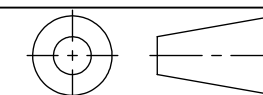
M20 x 1.5



NOTES:

- 1) GENERAL DIMENSIONS DRAWINGS.
- 2) DIMENSIONS [ ] ARE IN MILLIMETER.
- 3) DIMENSIONS NOTED ARE FOR REFERENCE ONLY.

Third angle projection



14853 E HINDSDALE AVE, SUITE D  
 CENTENNIAL, CO 80112-4240, USA  
 TEL: +1-303-699-1135  
 TOLL FREE: +1-800-456-9012  
 E MAIL: [info@sealconusa.com](mailto:info@sealconusa.com),  
 WEBSITE: [www.sealconusa.com](http://www.sealconusa.com)

RM-2016-SS



4

3

2