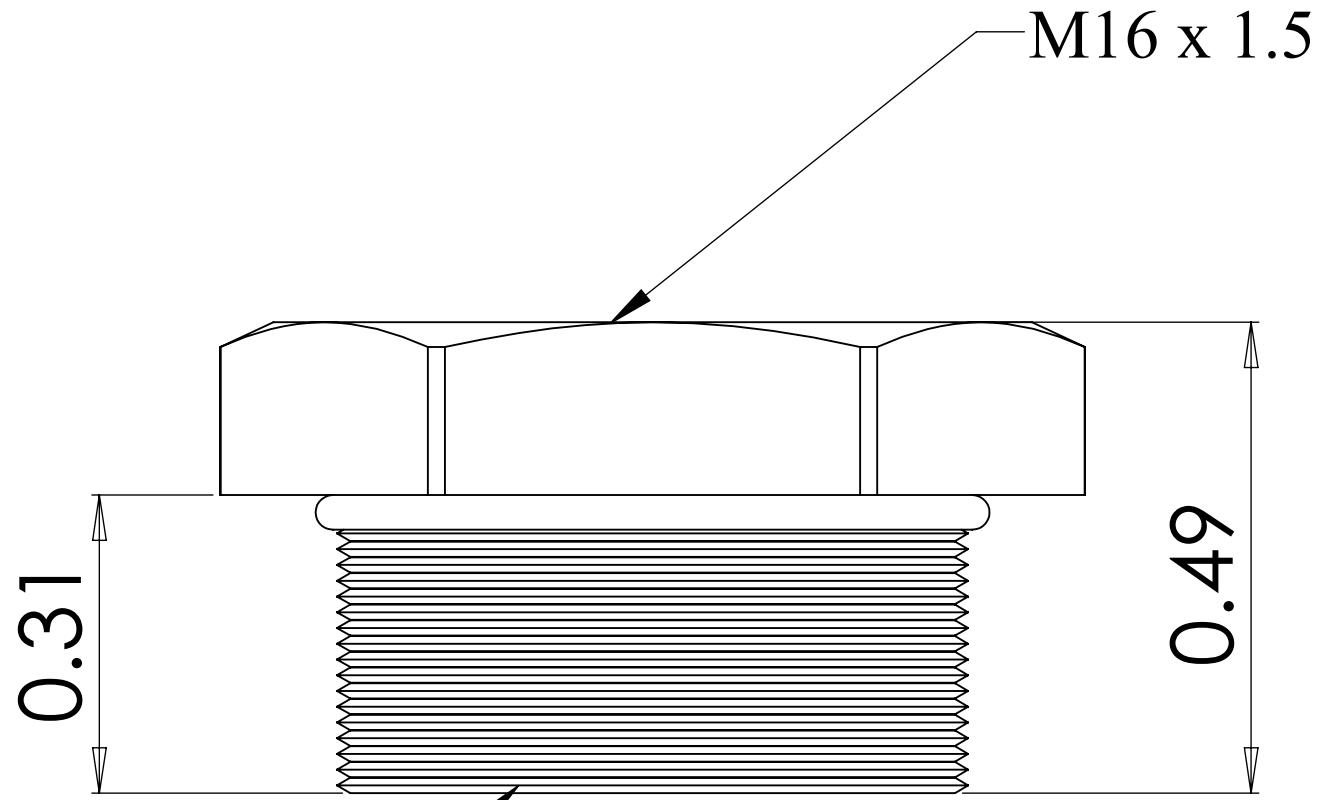
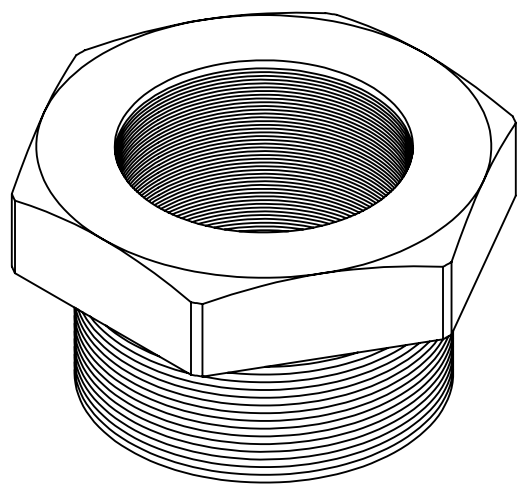


4

3

2

1

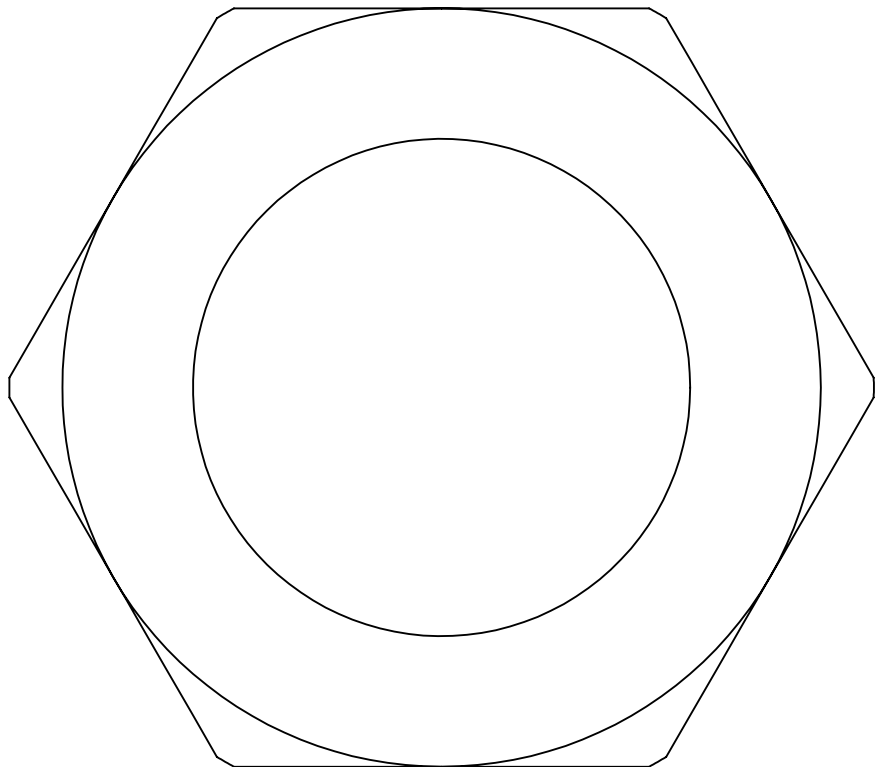


M32 x 1.5

M16 x 1.5

0.31

0.49



NOTES:

- 1) GENERAL DIMENSIONS DRAWINGS.
- 2) DIMENSIONS [] ARE IN MILLIMETER.
- 3) DIMENSIONS NOTED ARE FOR REFERENCE ONLY.

Third angle projection		
14853 E HINDSDALE AVE, SUITE D CENTENNIAL, CO 80112-4240, USA TEL: +1-303-699-1135 TOLL FREE: +1-800-456-9012 E MAIL: info@sealconusa.com , WEBSITE: www.sealconusa.com		RM-3216-SS-B

4

3

2

D

D

C

C

B

B

A

A