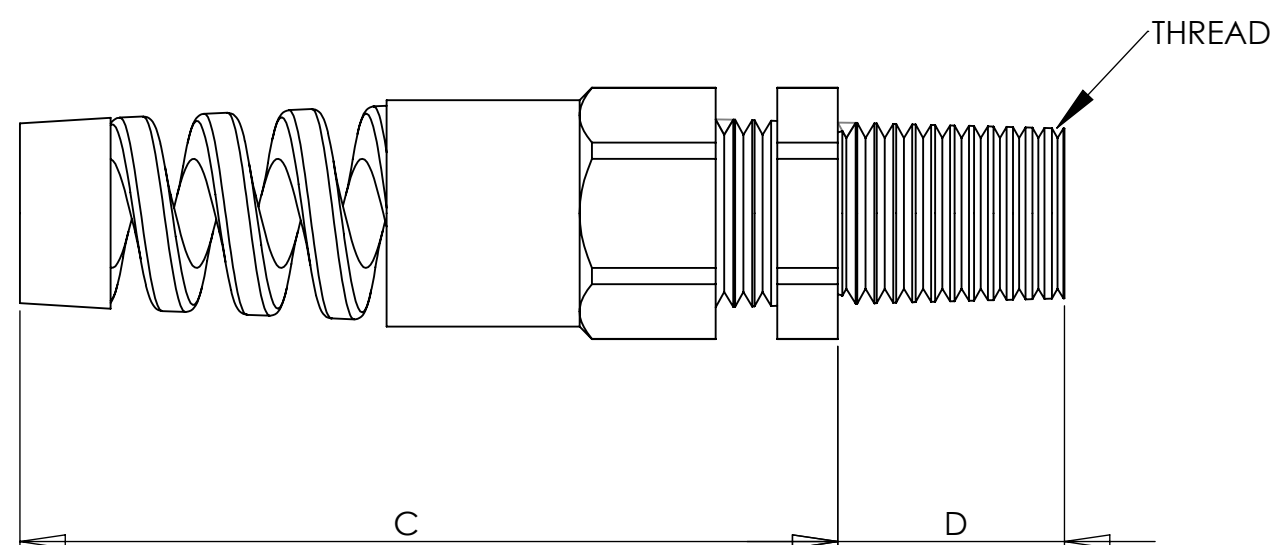
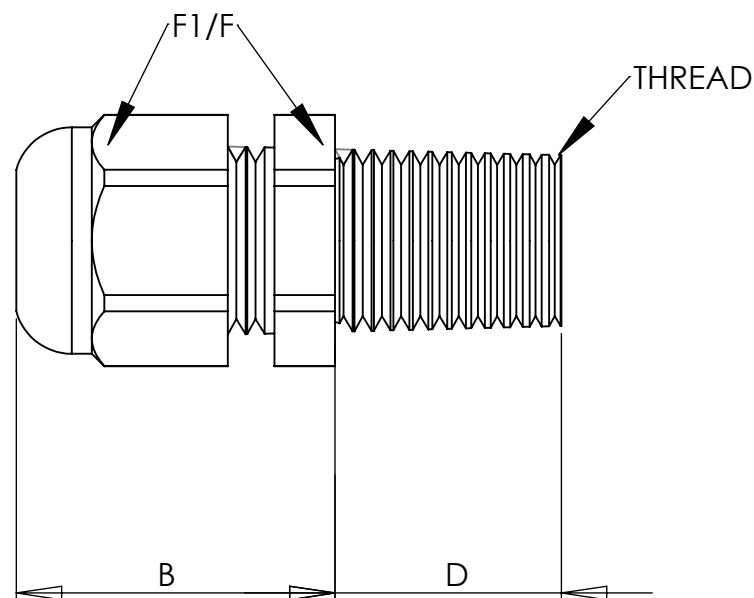


SPECIFICATIONS:

Pressure rating:
150 PSIG (10 BAR) NEMA 4x and 6
(Submersible) IP 68

Materials:
Body & Dome Nut: Nylon 6/6
Form Seal: Buna-N
Optional O-Ring: Buna-N

Operating Temperature:
-40°F to 212°F (-40°C to 100°C)
Short Term: 248°F (120°C)



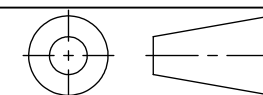
PART NUMBERS

PART NUMBERS				CABLE RANGE inches (mm)	THREAD TYPE AND SIZE For thread specs see page 29	DIMENSIONS INCHES (MM)				
Dome Fittings		Flex Fittings				A Clearance Hole +.010" / 0 / +.25 mm	B Body Length Dome	C Body Length Flex	D Thread Length	F ₁ /F Wrenching Flats
Black	Gray	Black	Gray							
CD07CA-BK CD07CR-BK	CD07CA-GY CD07CR-GY	CF07CA-BK CF07CR-BK	CF07CA-GY CF07CR-GY	.11 - .26 (3 - 6.5) .08 - .20 (2 - 5)	PG 7 1/4" NPT	.49 (12.5)	.83 (21)	2.13 (54)	.59 (15)	.59 (15)
CD09CA-BK CD09CR-BK	CD09CA-GY CD09CR-GY	CF09CA-BK CF09CR-BK	CF09CA-GY CF09CR-GY	.16 - .31 (4 - 8) .08 - .24 (2 - 6)	PG 9	.60 (15.2)	.87 (22)	2.48 (63)	.59 (15)	.75 (19)
CD11CA-BK CD11CR-BK	CD11CA-GY CD11CR-GY	CF11CA-BK CF11CR-BK	CF11CA-GY CF11CR-GY	.20 - .39 (5 - 10) .11 - .27 (3 - 7)	PG 11	.73 (18.5)	.98 (25)	3.07 (78)	.59 (15)	.87 (22)
CD13CA-BK CD13CR-BK	CD13CA-GY CD13CR-GY	CF13CA-BK CF13CR-BK	CF13CA-GY CF13CR-GY	.24 - .47 (6 - 12) .20 - .35 (5 - 9)	PG 13.5	.80 (20.3)	1.06 (27)	3.54 (90)	.59 (15)	.94 (24)
CD16CA-BK CD16CR-BK	CD16CA-GY CD16CR-GY	CF16CA-BK CF16CR-BK	CF16CA-GY CF16CR-GY	.39 - .55 (10 - 14) .27 - .47 (7 - 12)	PG 16	.88 (22.3)	1.10 (28)	3.94 (100)	.59 (15)	1.06 (27)
CD21CA-BK CD21CR-BK	CD21CA-GY CD21CR-GY	CF21CA-BK CF21CR-BK	CF21CA-GY CF21CR-GY	.51 - .71 (13 - 18) .35 - .63 (9 - 16)	PG 21	1.12 (28.4)	1.22 (31)	4.49 (114)	.59 (15)	1.30 (33)
CD29CA-BK CD29CR-BK	CD29CA-GY CD29CR-GY			.71 - .98 (18 - 25) .51 - .79 (13 - 20)	PG 29	1.47 (37.3)	1.53 (39)	--	.59 (15)	1.65 (42)
CD36CA-BK CD36CR-BK	CD36CA-GY CD36CR-GY			.87 - 1.26 (22 - 32) .79 - 1.02 (20 - 26)	PG 36	1.85 (47.0)	1.89 (48)	--	.71 (18)	2.09 (53)
CD42CA-BK CD42CR-BK	CD42CA-GY CD42CR-GY			1.26 - 1.50 (32 - 38) .98 - 1.22 (25 - 31)	PG 42	2.13 (54.1)	1.93 (49)	--	.71 (18)	2.36 (60)
CD48CA-BK CD48CR-BK	CD48CA-GY CD48CR-GY			1.46 - 1.73 (37 - 44) 1.14 - 1.38 (29 - 35)	PG 48	2.34 (59.4)	1.93 (49)	--	.71 (18)	2.56 (65)

NOTES:

- 1) GENERAL DIMENSIONS DRAWINGS.
- 2) DIMENSIONS [] ARE IN INCHES.
- 3) DIMENSIONS NOTED ARE FOR REFERENCE ONLY.

Third angle projection



7374 S. EAGLE STREET
CENTENNIAL, CO 80112-4221 USA
TEL: +1-303-699-1135
TOLL FREE: +1-800-456-9012
E MAIL: info@sealconusa.com,
WEBSITE: www.sealconusa.com

