

Conduit System - Nylon (Polyamide) Series


Y Fittings, 90° Fittings & Push-In Rotatable Fittings

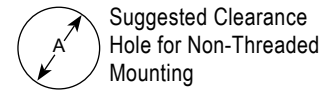
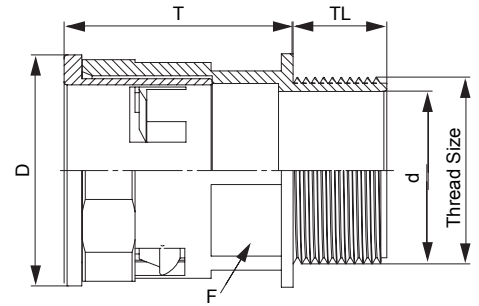


Conduit Systems

Push-In Rotatable Fitting: Polyamide - IP 55


RoHS

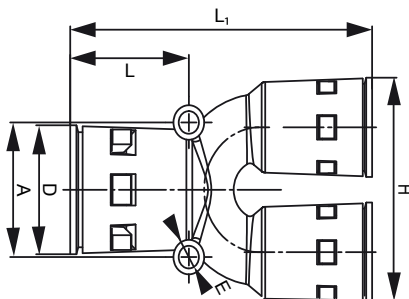
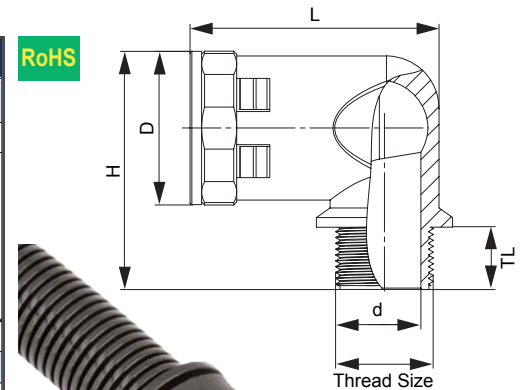
Part Numbers	Thread Type & Size	Fits Conduit DN Size	Dimensions in Inches (mm)							
			A	d	D	TL	L	F		
			Clearance Hole +.01" (+.25 mm)	Inner Diameter	Outer Diameter	Thread Length	Body Length	Wrench Size		
-22°F to 176°F (-30°C to 80°C)										
	See page 56 for thread specs									
PFM1206-BK	M 12 X 1.5	6	.47 (12)	.27 (6.9)	.74 (18.7)	.43 (11)	1.02 (26)	.59 (15)		
PFM1610-BK	M 16 X 1.5	10	.63 (16)	.43 (10.9)	.85 (21.7)	.43 (11)	1.02 (26)	.71 (18)		
PFM1612-BK	M 16 X 1.5	12	.63 (16)	.43 (10.9)	1.02 (26)	.43 (11)	1.04 (26.5)	.79 (20)		
PFM2014-BK	M 20 X 1.5	14	.79 (20)	.58 (14.7)	1.10 (28)	.43 (11)	1.22 (31)	.91 (23)		
PFM2017-BK	M 20 X 1.5	17	.79 (20)	.60 (15.2)	1.26 (32)	.51 (13)	1.30 (33)	1.06 (27)		
PFM2523-BK	M 25 X 1.5	23	.98 (25)	.74 (18.7)	1.56 (39.5)	.63 (16)	1.53 (39)	1.34 (34)		
PFM3229-BK	M 32 X 1.5	29	1.26 (32)	1.01 (25.7)	1.83 (46.5)	.63 (16)	1.69 (43)	1.57 (40)		
PFM4037-BK	M 40 X 1.5	37	1.57 (40)	1.29 (32.7)	2.19 (55.5)	.63 (16)	1.79 (45.5)	1.97 (50)		
PFM5050-BK	M 50 X 1.5	50	1.97 (50)	2.02 (51.4)	2.66 (67.5)	.63 (16)	1.87 (47.5)	2.44 (62)		




90° Fitting: Polyamide - IP 55

RoHS

Part Numbers	Thread Type & Size	Fits Conduit DN Size	Dimensions in Inches (mm)							
			A	d	D	TL	H	L		
			Clearance Hole +.01" (+.25 mm)	Inner Diameter	Outer Diameter	Thread Length	Height	Length		
-22°F to 176°F (-30°C to 80°C)										
	See page 56 for thread specs									
PEM1206-BK	M 12 X 1.5	6	.47 (12)	.32 (8.2)	.74 (18.7)	.43 (11)	1.43 (36.3)	1.41 (35.7)		
PEM1610-BK	M 16 X 1.5	10	.63 (16)	.43 (10.9)	.85 (21.7)	.43 (11)	1.47 (37.3)	1.52 (38.5)		
PEM1612-BK	M 16 X 1.5	12	.63 (16)	.43 (10.9)	1.02 (26)	.43 (11)	1.61 (41)	1.72 (43.8)		
PEM2014-BK	M 20 X 1.5	14	.79 (20)	.58 (14.7)	1.10 (28)	.43 (11)	1.73 (44)	1.81 (46)		
PEM2017-BK	M 20 X 1.5	17	.79 (20)	.60 (15.2)	1.26 (32)	.51 (13)	2.03 (51.5)	2.01 (51)		
PEM2523-BK	M 25 X 1.5	23	.98 (25)	.74 (18.7)	1.56 (39.5)	.63 (16)	2.41 (61.2)	2.53 (64.3)		



Y Fitting: Polyamide - IP 66

Part Numbers	Thread Type & Size	Fits Conduit DN Size	Dimensions in Inches (mm)							
			E	D	A	L	L ₁	H		
			Hole Diameter	Outer Diameter	Outer Diameter Ring	Upper Body Length	Body Length	Body Height		
-40°F to 248°F (-40°C to 120°C)										
	See page 56 for thread specs									
PFY100606	DN10/06/06	10/06/06	.20 (5)	.83 (21.2)	.83 (21.2)	1.29 (32.7)	2.72 (69.3)	1.11 (28.2)		
PFY121010	DN12/10/10	12/10/10	.22 (5.5)	.87 (22.3)	.87 (22.3)	1.22 (31)	2.91 (74)	1.65 (42)		
PFY171212	DN17/12/12	17/12/12	.26 (6.5)	1.10 (28)	1.10 (28)	1.26 (32)	3.35 (85)	2.01 (51)		
PFY231717	DN23/17/17	23/17/17	.26 (6.5)	1.43 (36.4)	1.43 (36.4)	1.50 (38)	3.56 (90.5)	2.51 (63.8)		
PFY292323	DN29/23/23	29/23/23	.26 (6.5)	1.70 (43)	1.70 (43)	1.46 (37)	4.17 (106)	3.02 (76.8)		
PFY372929	DN37/29/29	37/29/29	.26 (6.5)	2.07 (52.5)	2.07 (52.5)	1.90 (48.3)	4.95 (125.7)	3.78 (95.9)		
PFY503737	DN50/37/37	50/37/37	.26 (6.5)	2.62 (66.5)	2.62 (66.5)	2.08 (53)	5.04 (129)	4.31 (109.4)		

