

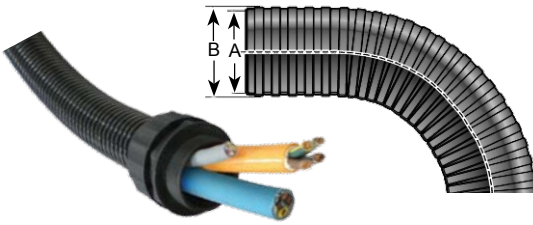
Conduit System - Superflex Series

Superflex Conduit & Turn-to-Seal Fittings



Conduit Systems

The SUPER-FLEX Conduit is made of a special plastic blend. Due to its higher flexibility, it is an ideal solution for drag chain and robotics applications. The Conduit has a UL HB 22.86 LBF/in = Crush Resistance Flammability Rating.



*CE Approval applies to SuperFlex Thermoplastic Elastomer and Standard Nominal Conduit Size 8 (SM-0811-BK)

Superflex Conduit: Thermoplastic Elastomer - IP 54, IP 65				
Part Numbers	DN Size	Roll Length (feet)	Dimensions	Fits Turn-to-Seal Fittings
-58°F to 320°F (-50°C to 160°C)			Inner Dia. (A) x Outer Dia. (B) Inches (mm)	ST, ET, SM & EM
Superflex Thermoplastic Elastomer				See page 56 for thread specs
SM-1013-HY	10	164	.39 x .51 (9.9 x 12.9)	PG 7, 3/8" NPT, PG 9, M16
SM-1216-HY	12	164	.48 x .62 (12.2 x 15.7)	PG 11, 3/8" NPT
SM-1721-HY	17	164	.65 x .83 (16.6 x 21)	PG 16, 1/2" NPT
SM-2328-HY	23	164	.88 x 1.12 (22.4 x 28.4)	PG 21, 3/4" NPT, M25
SM-2934-HY	29	82	1.11 x 1.36 (28.3 x 34.5)	PG 29, 1" NPT, M32
SM-3642-HY	37	82	1.40 x 1.67 (35.5 x 42.3)	PG 36, 1-1/4" NPT
SM-4854-HY	50	82	1.87 x 2.13 (47.5 x 54.2)	PG 48, 2" NPT

Turn-To-Seal Fittings: Straight & Elbow - Nylon

Part Numbers		Thread Type & Size	Fits Conduit DN Size	Straight Fitting - Dimensions in Inches (mm)						Elbow - Dimensions in Inches (mm)				
-40°F to 230°F (-40°C to 110°C)				TL	L	F	F ₁	E	A	TL	L	H	F	d
See page 56 for thread specs		Thread Length	Body Length	Wrench Flat (Body)	Wrench Flat (Dome)	Inside Diameter	Clearance Hole + .01" (+.25 mm)	Thread Length	Elbow Length	Elbow Height	Wrench Flat (Dome)	Inside Diameter		
ST07AA-BK	-	PG 7	10	.31 (8)	1.02 (26)	.75 (19)	.87 (22)	.33 (8.5)	.49 (12.5)	-	-	-	-	
ST07AR-BK	-	PG 7	8	.31 (8)	1.02 (26)	.75 (19)	.87 (22)	.33 (8.5)	.49 (12.5)	-	-	-	-	
ST09AA-BK	ET09AA-BK	PG 9	10	.31 (8)	1.02 (26)	.75 (19)	.87 (22)	.43 (11)	.60 (15.2)	.30 (7.5)	1.77 (45)	1.06 (27)	.87 (22)	.37 (9.5)
ST11AA-BK	ET11AA-BK	PG 11	12	.31 (8)	1.02 (26)	.87 (22)	.94 (24)	.55 (14)	.73 (18.5)	.31 (8)	2.01 (51)	1.14 (29)	.94 (24)	.51 (13)
ST16AA-BK	ET16AA-BK	PG 16	17	.31 (8)	1.02 (26)	1.06 (27)	1.18 (30)	.67 (17)	.89 (22.5)	.39 (10)	2.20 (56)	1.38 (35)	1.18 (30)	.63 (16)
ST21AA-BK	ET21AA-BK	PG 21	23	.39 (10)	1.34 (34)	1.50 (38)	1.50 (38)	.91 (23)	1.12 (28.4)	.43 (11)	2.64 (67)	1.61 (41)	1.50 (38)	.87 (22)
ST29AA-BK	ET29AA-BK	PG 29	29	.39 (10)	1.34 (34)	1.81 (46)	1.81 (46)	1.22 (31)	1.47 (37.3)	.47 (12)	3.23 (82)	2.09 (53)	1.81 (46)	1.14 (29)
ST36AA-BK	-	PG 36	37	.59 (15)	1.73 (44)	2.17 (55)	2.40 (61)	1.57 (40)	2.13 (54.1)	-	-	-	-	-
ST48AA-BK	-	PG 48	50	.59 (15)	1.97 (50)	2.55 (65)	2.91 (74)	2.01 (51)	2.34 (59.4)	-	-	-	-	-
ST11NA-BK	ET11NA-BK	3/8" NPT	12	.55 (14)	1.02 (26)	.87 (22)	.94 (24)	.47 (12)	.68 (17.2)	.31 (8)	2.01 (51)	1.14 (29)	.94 (24)	.51 (13)
ST16NA-BK	ET16NA-BK	1/2" NPT	17	.51 (13)	1.02 (26)	1.06 (27)	1.18 (30)	.55 (14)	.83 (21.1)	.39 (10)	2.20 (56)	1.38 (35)	1.18 (30)	.63 (16)
ST21NA-BK	ET21NA-BK	3/4" NPT	23	.55 (14)	1.22 (31)	1.46 (37)	1.50 (38)	.75 (19)	1.05 (26.7)	.43 (11)	2.64 (67)	1.61 (41)	1.50 (38)	.83 (21)
ST29NA-BK	ET29NA-BK	1" NPT	29	.75 (19)	1.25 (32)	1.81 (46)	1.81 (46)	1.02 (26)	1.35 (34.3)	.47 (12)	3.23 (82)	2.09 (53)	1.81 (46)	1.06 (27)
ST36NA-BK	-	1-1/4" NPT	37	.71 (18)	1.73 (44)	2.40 (61)	2.40 (61)	1.38 (35)	1.7 (43.2)	-	-	-	-	-

*Straight 2" NPT Also Available

ST & ET Fittings are V0 rated & have IP 65 protection without additional parts (O-Ring or Seal Ring).



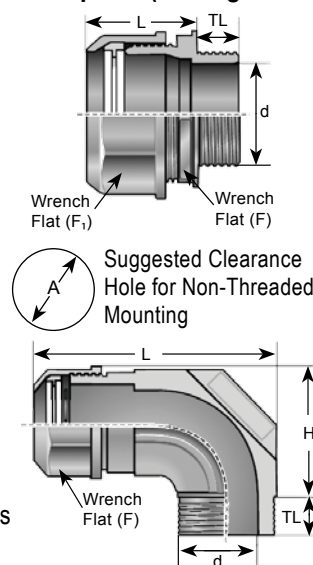
ST - (Straight) Turn-To-Seal Conduit Fittings

- Reliable assembly as fitting is supplied pre-assembled. No additional parts required
- Integrated clamping ring ensures high tear-out strength
- IP 65 (Type NEMA 4) without additional parts
- Can be opened without tools



ET - (90° Angled Elbow) Turn-To-Seal Conduit Fittings

- Reliable assembly as fitting is supplied pre-assembled.
- No additional parts required
- Integrated clamping ring ensures high tear-out strength
- High protection to IP 65 without additional parts
- Can be opened without tools
- Smooth inside walls, therefore easy insertion of the cables into the 90° angle



The Turn-to-Seal family consists of Conduit Fittings manufactured from high-grade polyamide. This design means that the Fittings offer a high protection rating of IP 65 (Type NEMA 4). The Fittings are completely pre-assembled and no additional parts such as cap nuts and clamping rings need to be fitted, ensuring reliability in assembly. The cable protection Conduit can be assembled quickly and easily by simply inserting the Conduit and turning the cap nut. The Elbow has smooth inside walls, making the installation of cables & wires easy. **V0 Rated!**

