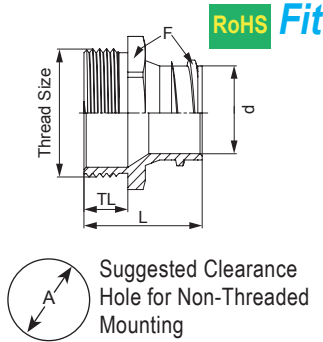
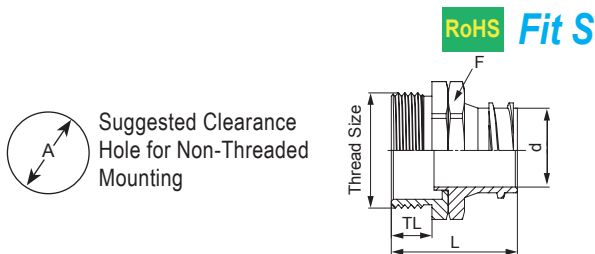
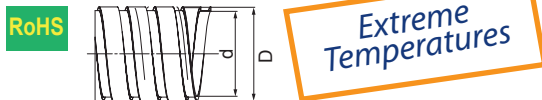


The Meleon range of protective cable conduits are particularly resistant to mechanical stresses. The conduit pipes made of galvanized steel are able to withstand high pressure loads. Matching metal fittings complete the range, ensuring, that the system is 100% industrial grade.



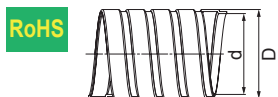
### Metal Meleon A: Galvanized Steel - IP 40

Part Numbers -148°F to 572°F (-100°C to -300°C)	DN Size	Dimensions in Inches (mm)			
		d Inner Diameter	D Outer Diameter	Roll Length (Ft.)	R mm
GS-0811-SA	7	.30 (7.5)	.41 (10.5)	164	25
GS-0912-SA	9	.35 (9)	.47 (12)	164	30
GS-1114-SA	11	.43 (11)	.55 (14)	164	30
GS-1417-SA	14	.55 (14)	.67 (17)	164	40
GS-1619-SA	16	.63 (16)	.75 (19)	164	45
GS-2124-SA	21	.83 (21)	.94 (24)	164	55
GS-2630-SA	26	1.02 (26)	1.18 (30)	82	55
GS-3741-SA	37	1.46 (37)	1.61 (41)	82	80
GS-4044-SA	40	1.57 (40)	1.73 (44)	82	80
GS-5155-SA	51	2.01 (51)	2.17 (55)	82	90



### Metal Meleon B: Galvanized Steel with PVC Coating - IP 65

Part Numbers -5°F to 158°F (-15°C to 70°C)	DN Size	Dimensions in Inches (mm)			
		d Inner Diameter	D Outer Diameter	Roll Length (Ft.)	R mm
GS-0812-SB	7	.30 (7.5)	.45 (11.5)	164	25
GS-0913-SB	9	.35 (9)	.51 (13)	164	30
GS-1115-SB	11	.43 (11)	.59 (15)	164	30
GS-1418-SB	14	.55 (14)	.71 (18)	164	40
GS-1620-SB	16	.63 (16)	.79 (20)	164	45
GS-2125-SB	21	.83 (21)	.98 (25)	164	55
GS2631-SB	26	1.02 (26)	1.22 (31)	82	55
GS-3742-SB	37	1.46 (37)	1.65 (42)	82	80
GS-4045-SB	40	1.57 (40)	1.77 (45)	82	80
GS-5156-SB	51	2.01 (51)	2.20 (56)	82	90



### MeleonFit: Nickel Plated Brass - IP 54

Part Numbers -4°F to 176°F (-20°C to -80°C)	Thread Type & Size	Fits to Meleon DN	Dimensions in Inches (mm)				
			A Clearance Hole	d Inner Diameter	TL Thread Length	L Body Length	F Wrench Flat
	See page 56 for thread specs		+01" (+.25 mm)				
MFM1207-BR	M12 X 1.5	7	.47 (12)	.24 (6)	.31 (8)	.94 (24)	.59 (15)
MFM1609-BR	M16 X 1.5	9	.63 (16)	.28 (7)	.31 (8)	.94 (24)	.79 (20)
MFM1611-BR	M16 X 1.5	11	.63 (16)	.35 (9)	.39 (10)	1.02 (26)	.79 (20)
MFM2014-BR	M20 X 1.5	14	.79 (20)	.47 (12)	.39 (10)	1.02 (26)	.87 (22)
MFM2016-BR	M20 X 1.5	16	.79 (20)	.55 (14)	.39 (10)	1.02 (26)	.87 (22)
MFM2521-BR	M25 X 1.5	21	.98 (25)	.71 (18)	.39 (10)	1.06 (27)	1.10 (28)
MFM3226-BR	M32 X 1.5	26	1.26 (32)	.91 (23)	.47 (12)	1.22 (31)	1.38 (35)
MFM4037-BR	M40 X 1.5	37	1.57 (40)	1.32 (33.5)	.55 (14)	1.42 (36)	1.77 (45)
MFM5040-BR	M50 X 1.5	40	1.97 (50)	1.46 (37)	.55 (14)	1.42 (36)	2.17 (55)
MFM6351-BR	M63 X 1.5	51	2.48 (63)	1.81 (46)	.55 (14)	1.42 (36)	2.56 (65)
MFN1407-BR	NPT 1/4"	7	.49 (12.5)	.24 (6)	.39 (10)	1.02 (26)	.59 (15)
MFN3809-BR	NPT 3/8"	9	.68 (17.2)	.28 (7)	.45 (11.5)	1.08 (27.5)	.79 (20)
MFN3811-BR	NPT 3/8"	11	.68 (17.2)	.35 (9)	.45 (11.5)	1.08 (27.5)	.79 (20)
MFN1214-BR	NPT 1/2"	14	.83 (21.1)	.47 (12)	.51 (13)	1.14 (29)	.87 (22)
MFN1216-BR	NPT 1/2"	16	.83 (21.1)	.55 (14)	.51 (13)	1.14 (29)	.87 (22)
MFN3421-BR	NPT 3/4"	21	1.05 (26.7)	.71 (18)	.59 (15)	1.25 (32)	1.10 (28)
MFN1026-BR	NPT 1"	26	1.35 (34.3)	.91 (23)	.59 (15)	1.34 (34)	1.38 (35)
MFN5437-BR	NPT 1-1/4"	37	1.7 (43.2)	1.32 (33.5)	.63 (16)	1.50 (38)	1.77 (45)
MFN6440-BR	NPT 1-1/2"	40	1.9 (48.3)	1.46 (37)	.71 (18)	1.57 (40)	2.17 (55)
MFN2051-BR	NPT 2"	51	2.4 (61)	1.81 (46)	.79 (20)	1.65 (42)	2.56 (65)

\*Note: Also available in PG.

### MeleonFit S (Swivel): Nickel Plated Brass - IP 54

Part Numbers -4°F to 176°F (-20°C to -80°C)	Thread Type & Size	Fits to Meleon DN	Dimensions in Inches (mm)				
			A Clearance Hole	d Inner Diameter	TL Thread Length	L Body Length	F Wrench Flat
	See page 56 for thread specs		+01" (+.25 mm)				
MFSM1207-BR	M12 X 1.5	7	.47 (12)	.24 (6)	.31 (8)	1.06 (27)	.59 (15)
MFSM1609-BR	M16 X 1.5	9	.63 (16)	.28 (7)	.31 (8)	1.06 (27)	.79 (20)
MFSM1611-BR	M16 X 1.5	11	.63 (16)	.35 (9)	.39 (10)	1.14 (29)	.79 (20)
MFSM2014-BR	M20 X 1.5	14	.79 (20)	.47 (12)	.39 (10)	1.14 (29)	.87 (22)
MFSM2016-BR	M20 X 1.5	16	.79 (20)	.55 (14)	.39 (10)	1.14 (29)	.87 (22)
MFSM2521-BR	M25 X 1.5	21	.98 (25)	.71 (18)	.39 (10)	1.22 (31)	1.10 (28)
MFSM3226-BR	M32 X 1.5	26	1.26 (32)	.91 (23)	.47 (12)	1.38 (35)	1.38 (35)
MFSM4037-BR	M40 X 1.5	37	1.57 (40)	1.32 (33.5)	.55 (14)	1.61 (41)	1.77 (45)
MFSM5040-BR	M50 X 1.5	40	1.97 (50)	1.46 (37)	.55 (14)	1.61 (41)	2.17 (55)
MFSM6351-BR	M63 X 1.5	51	2.48 (63)	1.81 (46)	.55 (14)	1.61 (41)	2.56 (65)
MFSN1407-BR	NPT 1/4"	7	.49 (12.5)	.24 (6)	.39 (10)	1.14 (29)	.59 (15)
MFSN3809-BR	NPT 3/8"	9	.68 (17.2)	.28 (7)	.45 (11.5)	1.20 (30.5)	.79 (20)
MFSN3811-BR	NPT 3/8"	11	.68 (17.2)	.35 (9)	.45 (11.5)	1.20 (30.5)	.79 (20)
MFSN1214-BR	NPT 1/2"	14	.83 (21.1)	.47 (12)	.51 (13)	1.25 (32)	.87 (22)
MFSN1216-BR	NPT 1/2"	16	.83 (21.1)	.55 (14)	.51 (13)	1.14 (32)	.87 (22)
MFSN3421-BR	NPT 3/4"	21	1.05 (26.7)	.71 (18)	.59 (15)	1.42 (36)	1.10 (28)
MFSN1026-BR	NPT 1"	26	1.35 (34.3)	.91 (23)	.59 (15)	1.54 (39)	1.38 (35)
MFSN5437-BR	NPT 1-1/4"	37	1.7 (43.2)	1.32 (33.5)	.63 (16)	1.69 (43)	1.77 (45)
MFSN6440-BR	NPT 1-1/2"	40	1.9 (48.3)	1.46 (37)	.71 (18)	1.77 (45)	2.17 (55)
MFSN2051-BR	NPT 2"	51	2.4 (61)	1.81 (46)	.79 (20)	1.85 (47)	2.56 (65)

\*Note: Also available in PG.