

# M23 POWER, M23 HYBRID CONNECTORS

## HOUSINGS

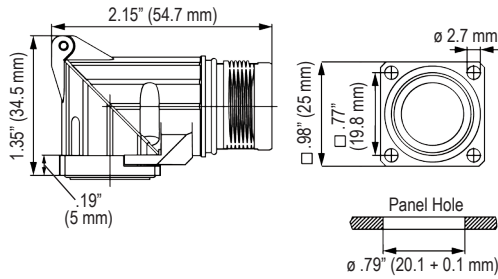
M23 Power / Hybrid Connectors

### M23 Power Right Angle Panel Connector, Male Thread, Fixed Flange

Type Part Number

Fixed Panel Mount, Flange 25 x 25 mm  
 4 x Holes  $\varnothing$  2.7 mm.....S7.635.000.000  
 Optional: Flat gasket....STAD1-7P2510

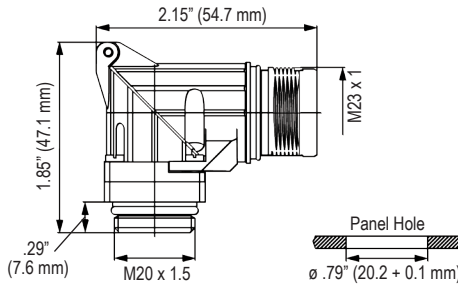
Easy Fastening with:  
 M2.5 x 10 mm or .39" Long Screws



### M23 Power Right Angle Panel Connector, Male Thread, Rotatable 335°

Type Part Number

335° Rotatable, Hole Mounted  
 Thread M20 x 1.5.....S7.636.000.000



### M23 Power Right Angle Panel Connector, Male Thread, Rotatable 330° Standard Threaded and TWILOCK/TWILOCK-S\* Quick Connect

Type Part Number

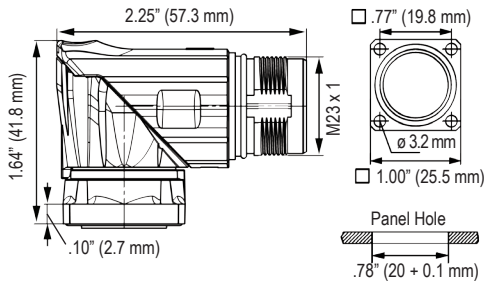
330° Rotatable, Flange 25 x 25 mm  
 4 x Holes  $\varnothing$  3.2 mm.....S7.639.000.000  
 Optional: Flat gasket....STAD1-7P2510

\* Intermateable with SpeedTEC® (Twilock-S)  
 4 x Holes  $\varnothing$  3.2 mm.....S7.639.000.00S  
 Optional: Flat gasket....STAD1-7P2510

TWILOCK-S OPTIONS DO NOT COME WITH A SEAL RING.



1.5 mm Locking Screw at Flange



### M23 Power Right Angle Panel Connector, Male Thread, Rotatable 330° Standard Threaded and TWILOCK/TWILOCK-S\* Quick Connect

Type Part Number

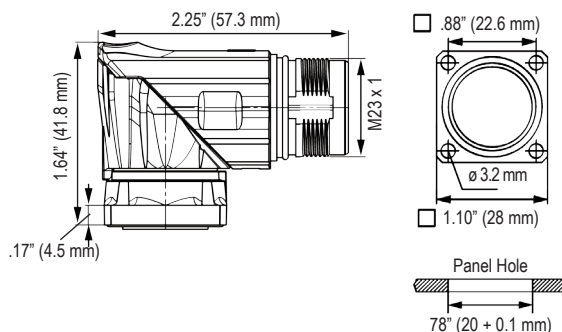
330° Rotatable, Flange 28 x 28 mm  
 4 x Holes  $\varnothing$  3.2 mm.....S7.639.100.000

\* Intermateable with SpeedTEC® (Twilock-S)  
 4 x Holes  $\varnothing$  3.2 mm.....S7.639.100.00S

TWILOCK-S OPTIONS DO NOT COME WITH A SEAL RING.



1.5 mm Locking Screw at Flange



MATES WITH TWILOCK SYSTEM DOES NOT MATE WITH TWILOCK SYSTEM