






# POLYCARBONATE ENCLOSURE

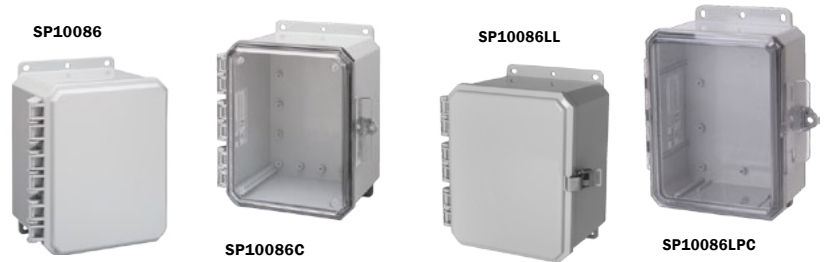
SIZE 10 X 8 X 6 INCH

Conformity	
Polycarbonate Enclosures:	    
Technical information	
Instrumented Dart Impact @ 73° F	Inch / Pound 565
Falling Ball Impact @ 73° F	UL-746 Inch / Pound 900
Deflection Temperature @ 264 psi	ASTM D648 Degrees F 270
Modulus of Elasticity	rn ASTM D790 ksi 340
Temperature Range	Degrees F -40 to 265
Flame Rating - UL	UL 94 - 5VA
Outdoor UV Exposure	UL - f1
UL/C-UL-50 listed	(files #E207562)
Material	
Base:	Polycarbonate Enclosure
Cover:	Polycarbonate Hinged Cover
Cover Screws:	Fiberglass Reinforced Polyamide
Enclosure side types	
Polycarbonate enclosures:	
Standard color	
Base:	Light Gray in Color With High Gloss Finish
Cover:	Opaque or Clear

## 10 x 8 x 6 Inch Enclosure in Brief:

- Standard Color – light gray with a high gloss finish
- Best material – bases, opaque covers and clear covers are all made of high-impact, UV resistant polycarbonate
- Easy ordering – One part number equals one completely assembled enclosure
- Super easy use – mounting flanges integral, so no extra hardware needed
- Flexible interior Mounting – bosses on rear wall and lid of opaque enclosure provide multiple mounting options for din rail, back panels, or other components
- Advanced face plate mounting system – Brand new completely unique and easy
- Secure – Choose your level of protection: pad lockable, tamper screw or tamper tag capable
- Frequency Friendly – Available with absolutely no metals of any kind on the enclosure which is extremely favorable for sending and receiving wireless signals
- UL-50 / c-UL Listed (file # E207562)

Sealcon's enclosures are the most versatile, feature packed, aesthetically pleasing, NEMA UL rated, non-metallic enclosures available. Features like extremely durable, UV resistant, wide temperature range, easy to machine, lighter than other non-metallic or metal materials, our "Made in USA" enclosures provide great value to any application.



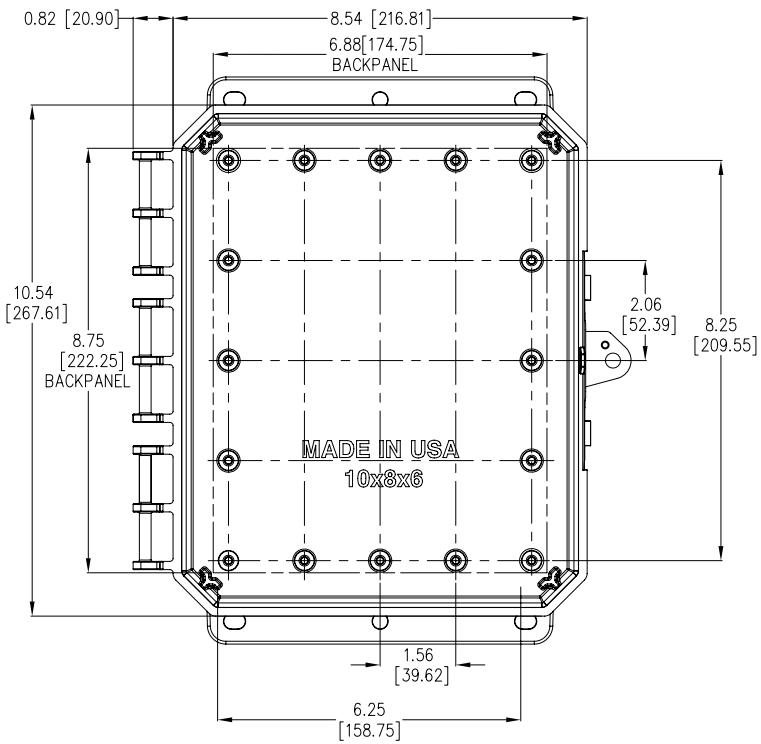
## Sealcon 10 x 8 x 6 INCH Enclosure

S10086 P/N	4X IP66	6P IP68	Clear Cover	Opaque Cover	Integrated Mounting Flange	Standard Hinge	Low Profile Hinge	Integrated Locking Latch	Stainless Steel Locking Latch	Non-Metallic Locking Latch	Face Plate Mtg System*
SP10086	✓	✓		✓	✓	✓		✓			✓
SP10086C	✓	✓	✓		✓	✓		✓			✓
SP10086LL	✓			✓		✓			✓		✓
SP10086CLL	✓		✓			✓			✓		✓
SP10086LP	✓	✓		✓	✓		✓	✓			✓
SP10086LPC	✓	✓	✓		✓		✓	✓			✓
SP10086LPLL	✓			✓			✓		✓		✓
SP10086LPCLL	✓		✓				✓		✓		✓
SP10086NL	✓			✓		✓				✓	✓
SP10086CNL	✓		✓			✓				✓	✓
SP10086LPNL	✓			✓			✓			✓	✓
SP10086LPCNL	✓		✓				✓			✓	✓

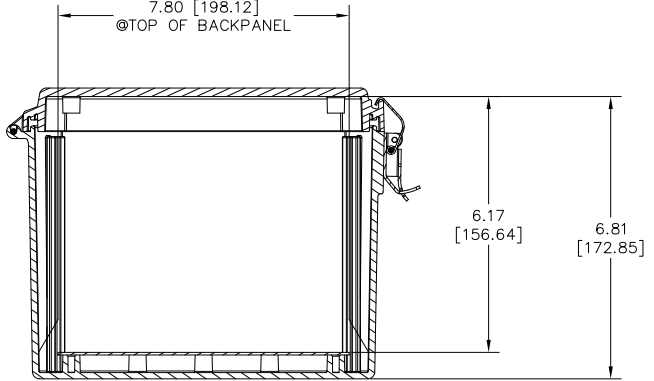
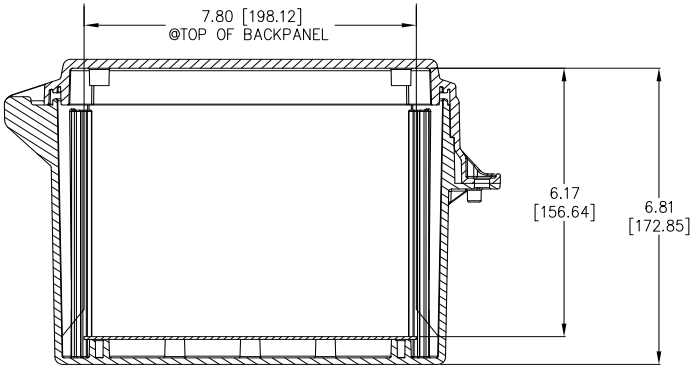
\*Sold separately

TORQUE SPECIFICATIONS - Mounting Brackets - 1/4"-20 x 0.25 SS, countersunk Phillips drive screws (torque limit = 20 in-lbs.) | Covers / Doors - Torque for corner screws is 10 in-lbs.





**Customized Solutions**  
 With our extensive supply of cable management products, we can craft a solution tailored to your specific requirements. Place your customized order with us today!



**Top-Notch Customer Service**  
[www.SealconUSA.com](http://www.SealconUSA.com)  
 303-699-1135  
 800-456-9012

**Accessories for 10x8x6 Inch**



**Air Vents**  
**SVENT-3** - Aluminum louvered  
**SVENT-2** - Outdoor labyrinth



**Aluminum Swing Out Panels**  
**SABP-108USP/USOPK** - Complete panel kit  
**SABP-108USP** - Aluminum swing out panels only  
**SUSOPK** - Hardware only



**Steel Swing Out Panels**  
**SSBP-108USP/USOPK** - Complete panel kit  
**SSBP-108USP** - Steel swing out panels only  
**SUSOPK** - Hardware only



**Din Rail**  
**SDIN8-IMP** - 2 rails, 4 screws



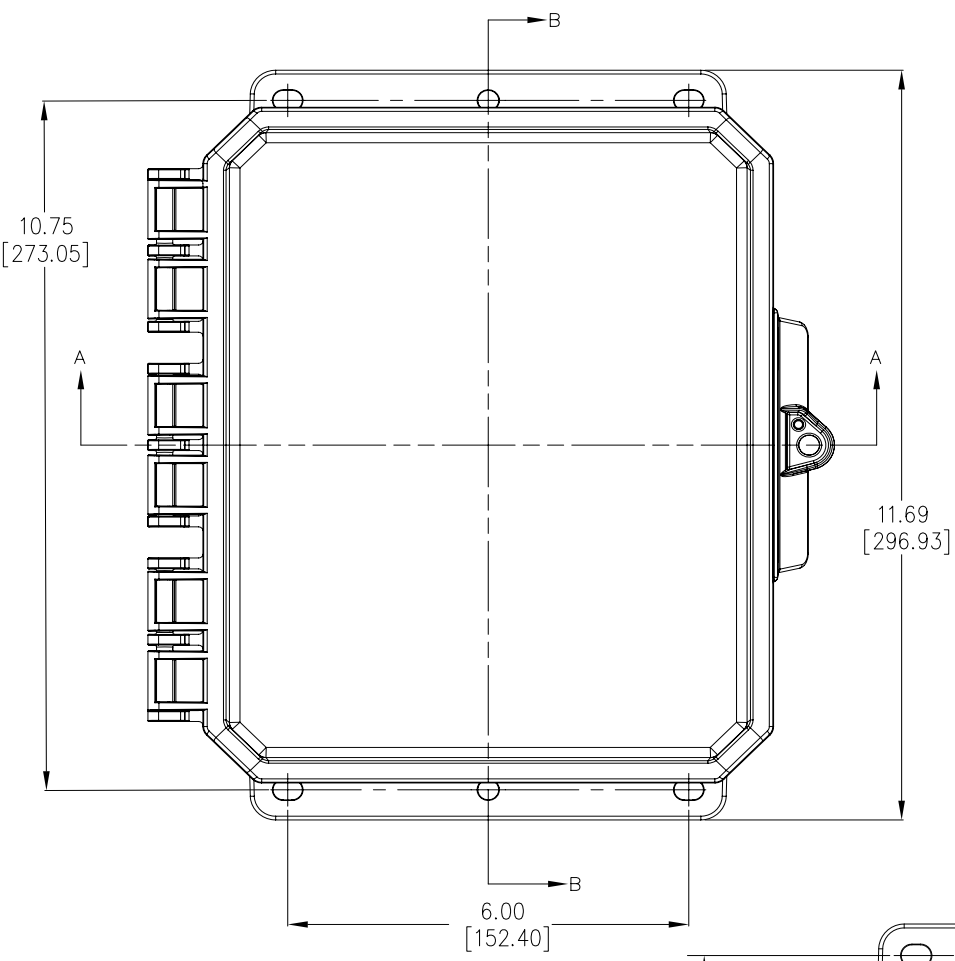
**Pole Mounting Kits**  
**SPMKG-28-IMP** - 2" pole  
**SPMKG-38-IMP** - 3" pole  
**SPMKG-48-IMP** - 4" pole  
**SPMKG-128-IMP** - 12" pole



**Back Panels**  
**SABP108-IMP** - Aluminum panel  
**SSBP108-IMP** - Steel panel  
**SPVCBP108-IMP** - PVC panel



**Mounting Screws**  
**SSP-10I** - 10 Pieces self-tapping screws for bosses



**Top-Notch Customer Service**  
[www.SealconUSA.com](http://www.SealconUSA.com)  
 303-699-1135  
 800-456-9012

**Large Inventory**  
 With our readily accessible inventory, you can rest assured that your order will ship quickly and without delay--minimizing any downtime. Experience the Sealcon difference!

