






POLYCARBONATE ENCLOSURE

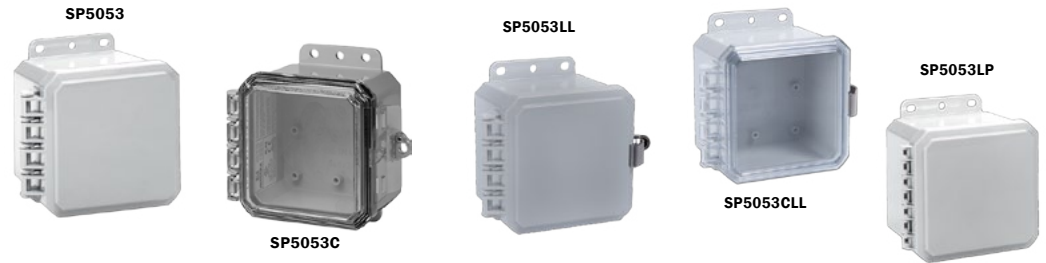
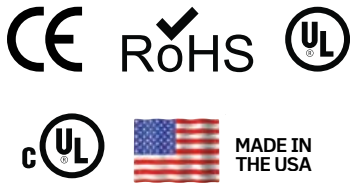
SIZE 5 X 5 X 3 INCH

5 x 5 x 3 Inch Enclosure in Brief:

- Standard Color – light gray with a high gloss finish
- Best material – bases, opaque covers and clear covers are all made of high-impact, UV resistant polycarbonate
- Easy ordering – One part number equals one completely assembled enclosure
- Super easy use – mounting flanges integral, so no extra hardware needed
- Flexible Interior Mounting – bosses on rear wall and lid of opaque enclosure provide multiple mounting options for din rail, back panels, or other components
- Advanced face plate mounting system – Brand new completely unique and easy
- Secure – Choose your level of protection: pad lockable, tamper screw or tamper tag capable
- Frequency Friendly – Available with absolutely no metals of any kind on the enclosure which is extremely favorable for sending and receiving wireless signals
- UL-50 / c-UL Listed (file # E207562)

Our enclosures are the most versatile, feature packed, aesthetically pleasing, NEMA UL rated, non-metallic enclosures available. Features like extremely durable, UV resistant, wide temperature range, easy to machine, lighter than other non-metallic or metal materials, our "Made in USA" enclosures provide great value to any application

Conformity	
Polycarbonate Enclosures:	    
Technical information	
Instrumented Dart Impact @ 73° F	Inch / Pound 565
Falling Ball Impact @ 73° F	UL-746 Inch / Pound 900
Deflection Temperature @ 264 psi	ASTM D648 Degrees F 270
Modulus of Elasticity	rn ASTM D790 ksi 340
Temperature Range	Degrees F -40 to 265
Flame Rating - UL	UL 94 - 5VA
Outdoor UV Exposure	UL - f1
UL/C-UL-50 listed	(files #E207562)
Material	
Base:	Polycarbonate Enclosure
Cover:	Polycarbonate Hinged Cover
Cover Screws:	Fiberglass Reinforced Polyamide
Enclosure side types	
Polycarbonate enclosures:	
Standard color	
Base:	Light Gray in Color With High Gloss Finish
Cover:	Opaque or Clear



Sealcon 5 x 5 x 4 INCH Enclosure

S5053 P/N	4X IP66	6P IP68	Clear Cover	Opaque Cover	Integrated Mounting Flange	Standard Hinge	Low Profile Hinge	Integrated Locking Latch	Stainless Steel Locking Latch	Non-Metallic Locking Latch	Face Plate Mtg System*
SP5053	✓	✓		✓	✓	✓		✓			✓
SP5053C	✓	✓	✓		✓	✓		✓			✓
SP5053LL	✓			✓		✓			✓		✓
SP5053CCLL	✓		✓			✓			✓		✓
SP5053LP	✓	✓		✓	✓		✓	✓			✓
SP5053LPC	✓	✓	✓		✓		✓	✓			✓
SP5053LPLL	✓			✓			✓		✓		✓
SP5053LPCLL	✓		✓				✓		✓		✓
SP5053NL	✓			✓		✓				✓	✓
SP5053CNL	✓		✓			✓				✓	✓
SP5053LPNL	✓			✓			✓			✓	✓
SP5053LPCNL	✓		✓							✓	✓

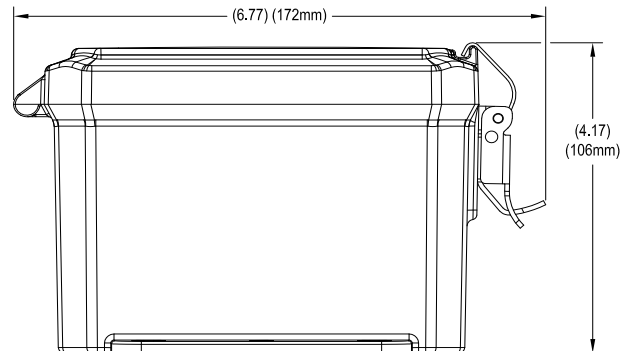
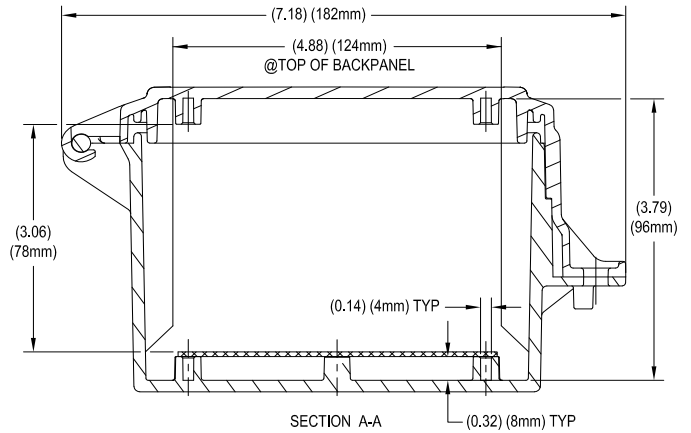
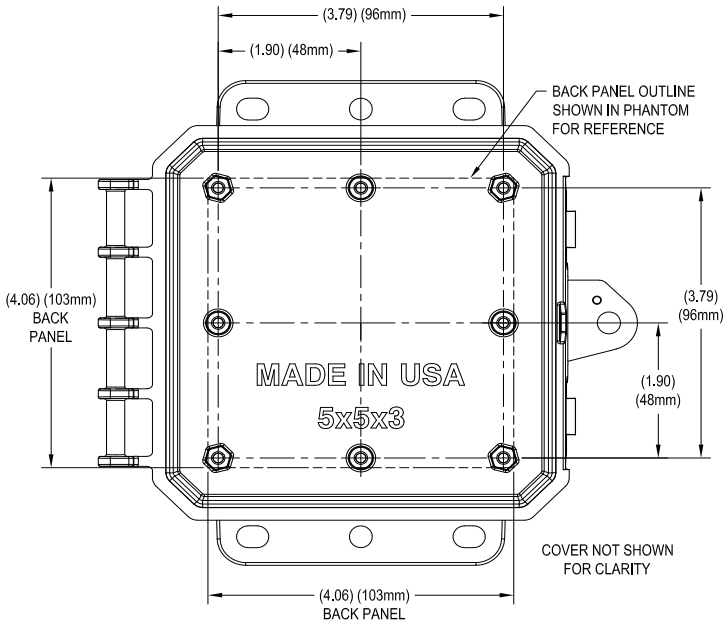
*Sold separately

TORQUE SPECIFICATIONS - Mounting Brackets - 1/4"-20 x 0.25 SS, countersunk Phillips drive screws (torque limit = 20 in-lbs.) | Covers / Doors - Torque for corner screws is 10 in-lbs.



Customized Solutions

With our extensive supply of cable management products, we can craft a solution tailored to your specific requirements. Place your customized order with us today!



Top-Notch Customer Service

www.SealconUSA.com

303-699-1135

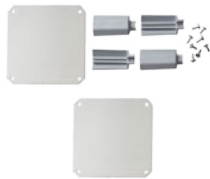
800-456-9012

Accessories for 5x5x3 Inch



Air Vents

SVENT-3 - Aluminum louvered
SVENT-2 - Outdoor labyrinth



Steel Face Plate System

SSFPK55-IMP - Steel face plate and **SFPSK-55** mounting kit
SSF55-IMP - Steel face panel only



Aluminum Face Plate System

SAFPK55-IMP - Aluminum face plate and **SFPK-55** mounting kit
SAFP55-IMP - Aluminum face panel only



Din Rail

SDIN5-IMP - 2 rails, 4 screws



Pole Mounting Kits

SPMKG-24-IMP - 2" pole
SPMKG-34-IMP - 3" pole
SPMKG-44-IMP - 4" pole
SPMKG-124-IMP - 12" pole



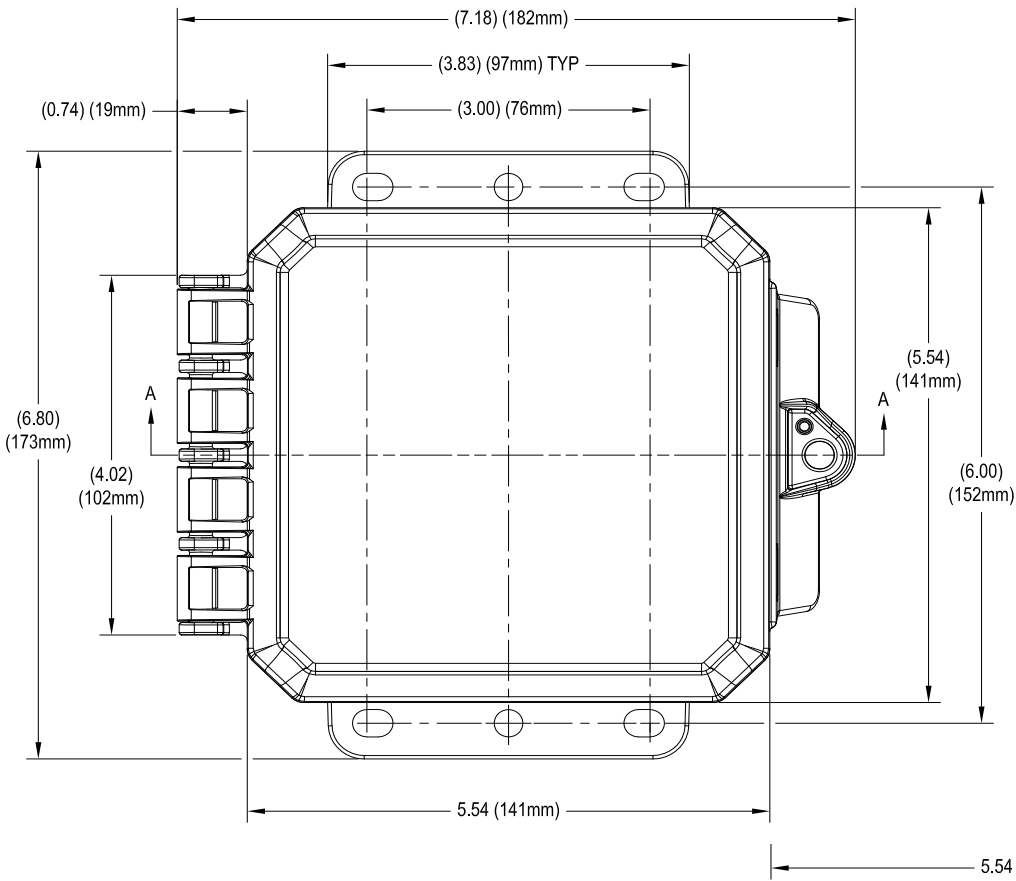
Back Panels

SABP55-IMP - Aluminum panel
SSBP55-IMP - Steel panel
SPVCBP55-IMP - PVC panel



Face Plate Support Kit

SCB53-IMP - Support kit contains 4 support panels and 8 screws.



Top-Notch Customer Service

www.SealconUSA.com

303-699-1135

800-456-9012

Large Inventory

With our readily accessible inventory, you can rest assured that your order will ship quickly and without delay--minimizing any downtime. Experience the Sealcon difference!

