

# POLYCARBONATE ENCLOSURE

SIZE 8 X 6 X 4 INCH

## 8 x 6 x 4 Inch Enclosure in Brief:

- Made in the USA
- Standard color – light gray with a gloss finish.
- Best material – bases, opaque covers and clear covers are all made of high-impact, UV resistant polycarbonate.
- Easy ordering – one part number includes base, lid, mounting feet or flanges and all lid fastening hardware (mounting panels sold separately).
- Flexible interior mounting – features the unique adjustable depth “T-Rail” back panel mounting system (back panel and adjustable brackets sold separately).
- Features multiple bosses for easy installation of devices and DIN rails.
- UL-50 / c-UL Listed (files # E229365, # E207562)

Sealcon's enclosures are the most durable, non-metallic NEMA UL rated enclosures available. From the extremely versatile mounting options inside the enclosure to having the most off-the shelf accessories, “Made In the USA”

Conformity	
Polycarbonate Enclosures:	
Technical information	
Instrumented Dart Impact @ 73° F	Inch / Pound 565
Falling Ball Impact @ 73° F	UL-746 Inch / Pound 900
Deflection Temperature @ 264 psi	ASTM D648 Degrees F 270
Modulus of Elasticity	rn ASTM D790 ksi 340
Temperature Range	Degrees F -40 to 265
Flame Rating - UL	UL 94 - 5VA
Outdoor UV Exposure	UL - f1
UL/C-UL-50 listed	(files # E229365, # E207562)
Material	
Base:	Polycarbonate Enclosure
Cover:	Polycarbonate Hinged Cover
Cover Screws:	Fiberglass Reinforced Polyamide
Enclosure side types	
Polycarbonate enclosures:	
Standard color	
Base:	Light Gray in Color With High Gloss Finish
Cover:	Opaque or Clear

Comes with feet or flanges. This size also available with low profile hinge. Expansion box not shown.

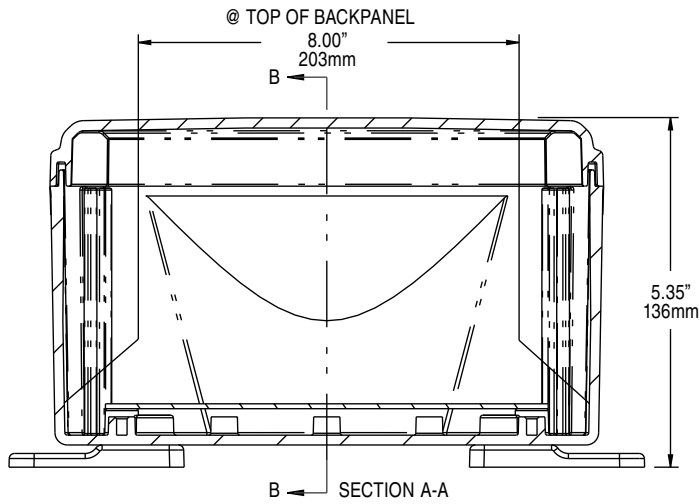


## Sealcon 8 x 6 x 4 INCH Enclosure

S8064 P/N	4X IP66	6P IP68	Hinged Cover	Screw Cover	Opaque Cover	Clear Cover	Mounting Feet	Mounting Flange	StainlesSSteel Locking Latch	Non-Metallic Locking Latch
SH8064S	✓	✓		✓	✓		✓			
SH8064SC	✓	✓		✓		✓	✓			
SH8064SF	✓	✓		✓	✓			✓		
SH8064SCF	✓	✓		✓		✓		✓		
SH8064H	✓		✓	✓	✓		✓			
SH8064HC	✓		✓	✓		✓	✓			
SH8064HF	✓		✓	✓	✓			✓		
SH8064HCF	✓		✓	✓		✓		✓		
SH8064HLL	✓		✓		✓		✓		✓	
SH8064HCLL	✓		✓			✓	✓		✓	
SH8064HFLL	✓		✓		✓			✓	✓	
SH8064HCFLL	✓		✓			✓		✓	✓	
SH8064HNL	✓		✓		✓		✓			✓
SH8064HCNL	✓		✓			✓	✓			✓
SH8064HFNL	✓		✓		✓			✓		✓
SH8064HCFNL	✓		✓			✓		✓		✓
SH8064H-6P	✓	✓	✓	✓	✓		✓			
SH8064HC-6P	✓	✓	✓	✓		✓	✓			
SH8064HF-6P	✓	✓	✓	✓	✓			✓		
SH8064HCF-6P	✓	✓	✓	✓		✓	✓			



TORQUE SPECIFICATIONS - Mounting Brackets - 1/4"-20 x 0.25 SS, countersunk Phillips drive screws (torque limit = 20 in-lbs.) | Covers / Doors - Torque for corner screws is 10 in-lbs.

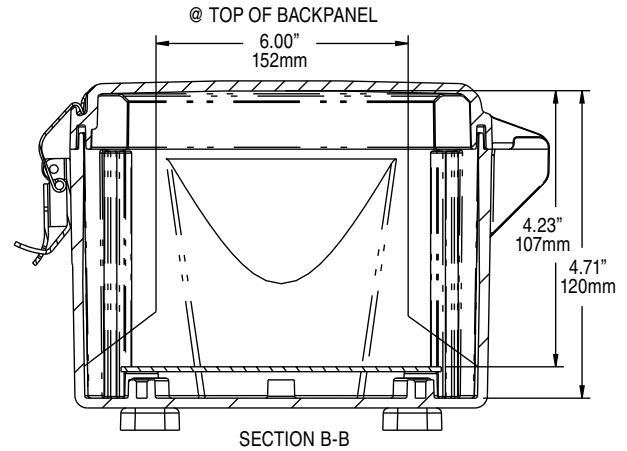


## Top-Notch Customer Service

www.SealconUSA.com

303-699-1135

800-456-9012



## Customized Solutions

With our extensive supply of cable management products, we can craft a solution tailored to your specific requirements. Place your customized order with us today!

## Accessories for 8x6x4 Inch

Comes with feet or flanges



### Back Panels

- SABP86** - Aluminum panel
- SSBP86** - Steel panel
- SPVCBP86** - PVC panel



### Air Vents

- SVENT-3** - Aluminum louvered
- SVENT-2** - Outdoor labyrinth



### Din Rail

- SDIN6** - 2 rails, 4 screws



### Aluminum Swing Out Panels

- SABP-86USP/USOPK** - Complete panel kit
- SABP-86USP** - Aluminum swing out panels only
- SUSOPK** - Hardware only



### Steel Swing Out Panels

- SSBP-86USP/USOPK** - Complete panel kit
- SBP-86USP** - Steel swing out panels only
- SUSOPK** - Hardware only



### Pole Mounting Kits

- SPMKG-26** - 2" pole
- SPMKG-36** - 3" pole
- SPMKG-46** - 4" pole
- SMKG-126** - 12" pole



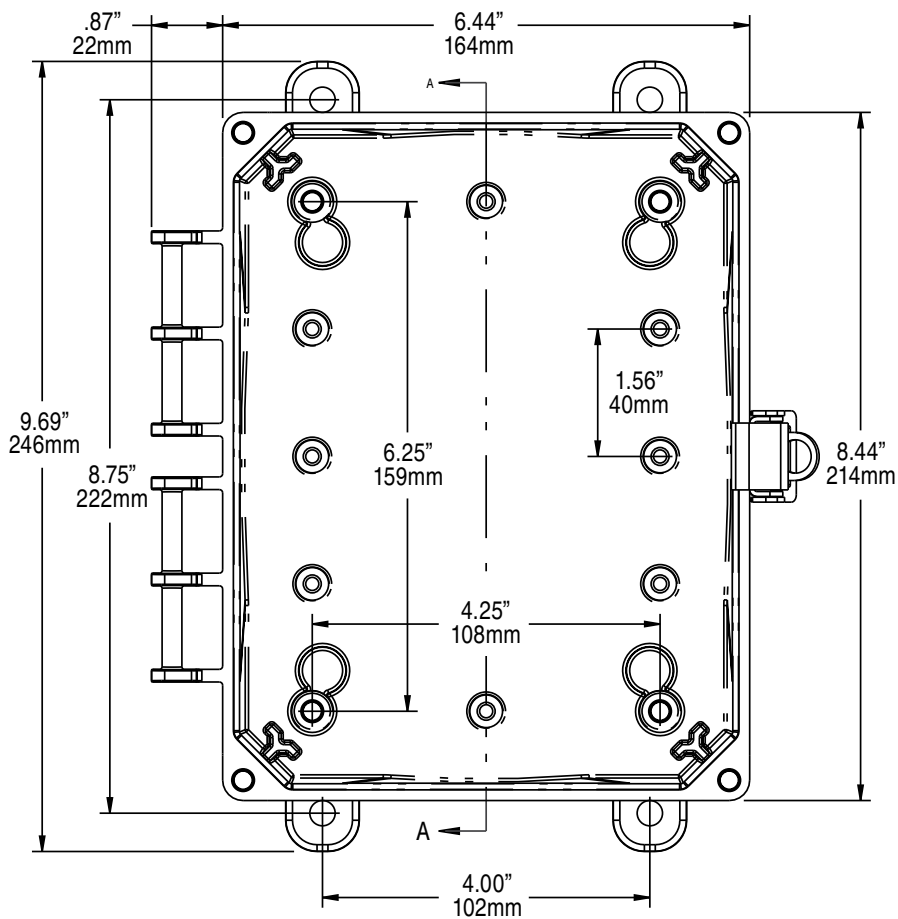
### Back Panel Adjustment Kit

- SBPAKG** - Gray, Set Screw
- SBPAKB** - Black, Set Screw
- SUBPAKG** - Gray, Thumb Screw
- SUBPAKB** - Black Thumb Screw



### Mounting Feet & Flange Kits

- SMFKG** - Premium line feet
- SMFKSS** - Stainless steel feet
- SMFLK6** - 6" Flange kit



**Top-Notch Customer Service**  
[www.SealconUSA.com](http://www.SealconUSA.com)  
 303-699-1135  
 800-456-9012

**Large Inventory**  
 With our readily accessible inventory, you can rest assured that your order will ship quickly and without delay—minimizing any downtime. Experience the Sealcon difference!

