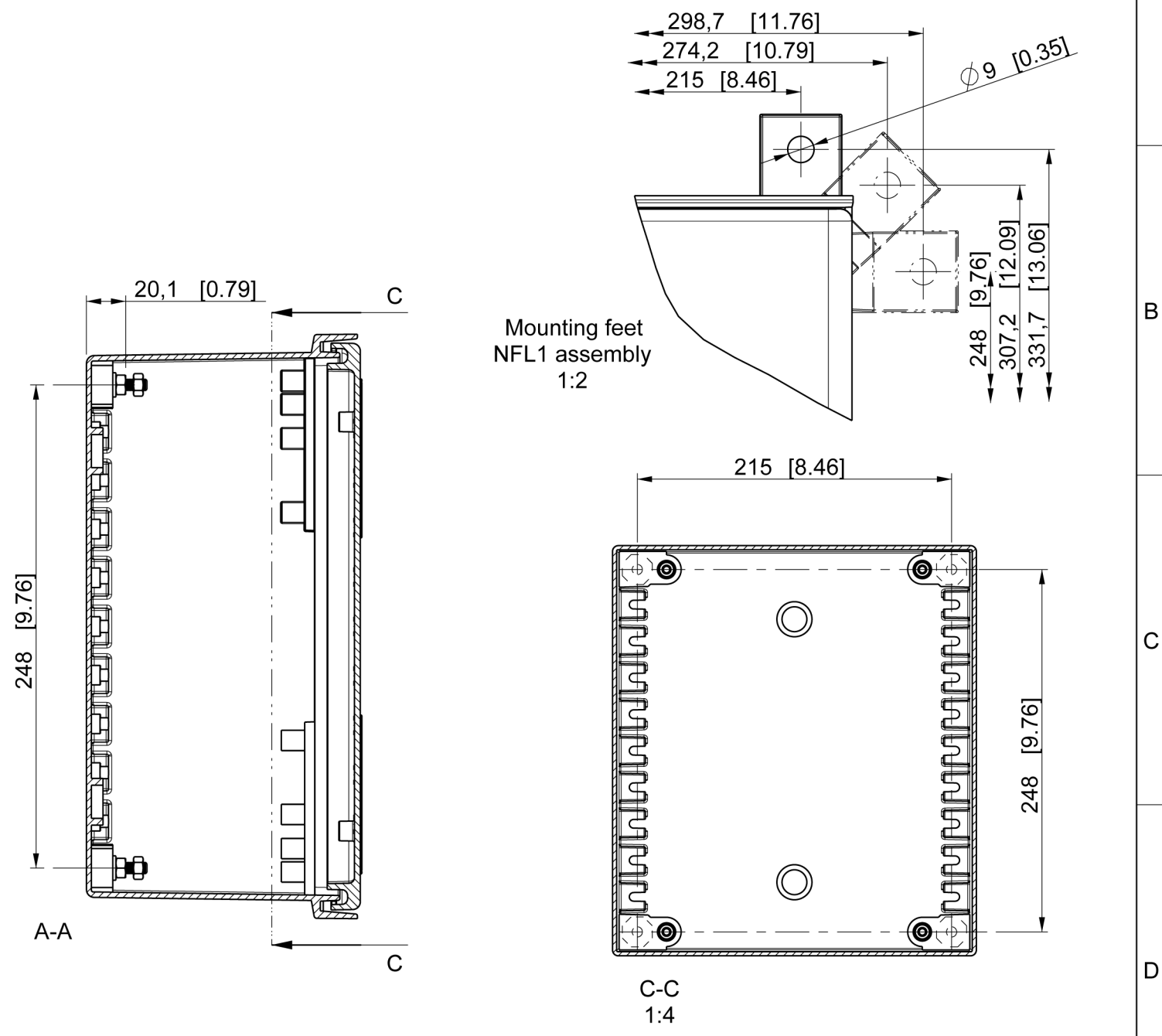


ID	Description	Date	By	Appr.
A				



Dimensions in mm [inches]

Supplier:	Tool No:	- Volume -	Weight [g]	0
Material: Glass reinforced polyester				
		S360253014PU UI 508A Industrial panel enclosure		
Scale	Date	Replaces:		
1:3	24.11.2016	Replaced:		
A3	By KA	Drw No: A		
Checked		Ref: Fiberglass N		
Sheet No: 1 (1)	Ctrl	Code: S360253014PU		