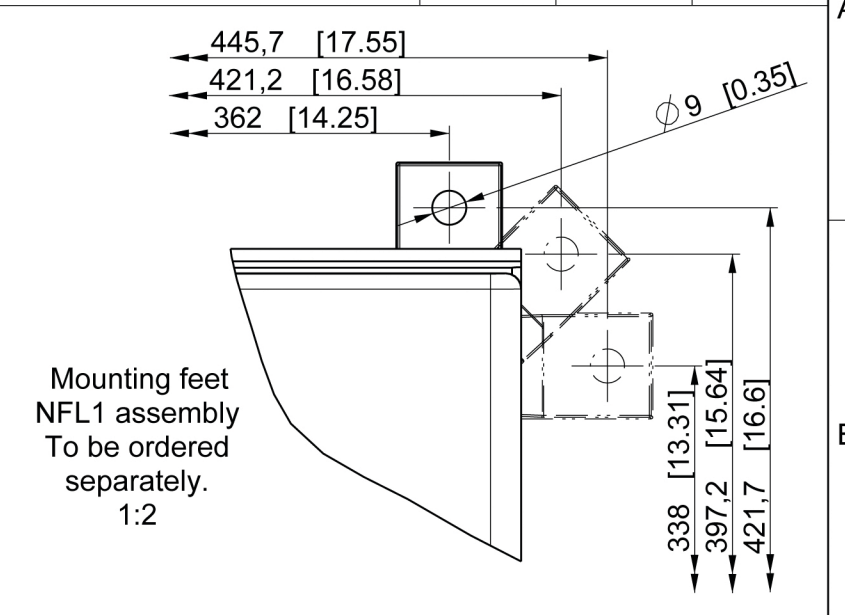
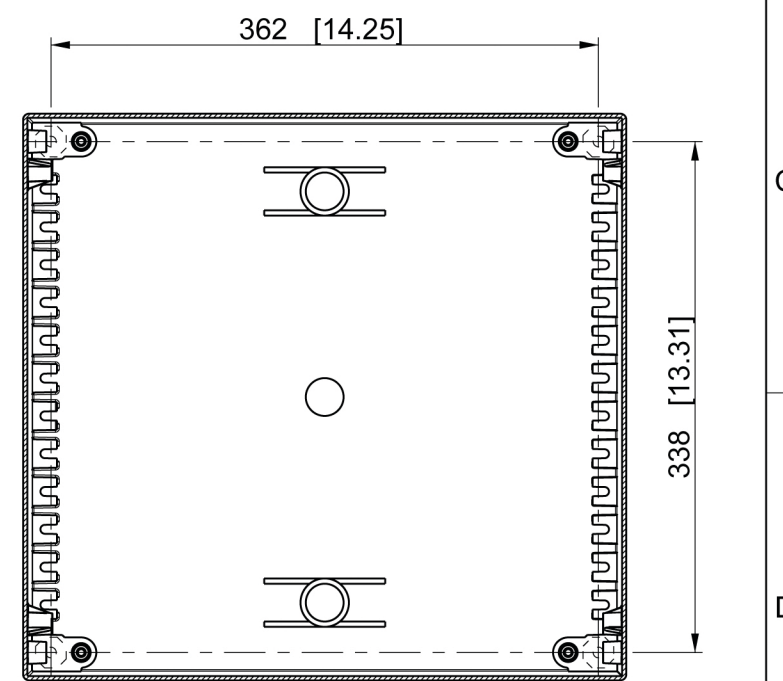


ID	Description	Date	By	Appr.
A				



Mounting feet
NFL1 assembly
To be ordered
separately.
1:2



Dimensions in mm [inches]

Supplier: -	Tool No: -	Volume: -	Weight [g]: 0
Material: Glass reinforced polyester			
		S360404020WU	
Electrification			
Scale: 1:4	Date: 25.11.2016	Replaces:	
A3	By: KA	Replaced:	
	Checked:	Drw No: A	
Sheet No: 1 (1)	Ctrl:	Ref: N Wall	
		Code: S360404020WU	

Tolerance	>=6	>6=30	>30=120	>120=400	>400=1000
ISO 2768-m	±0,1	±0,2	±0,3	±0,5	±0,8