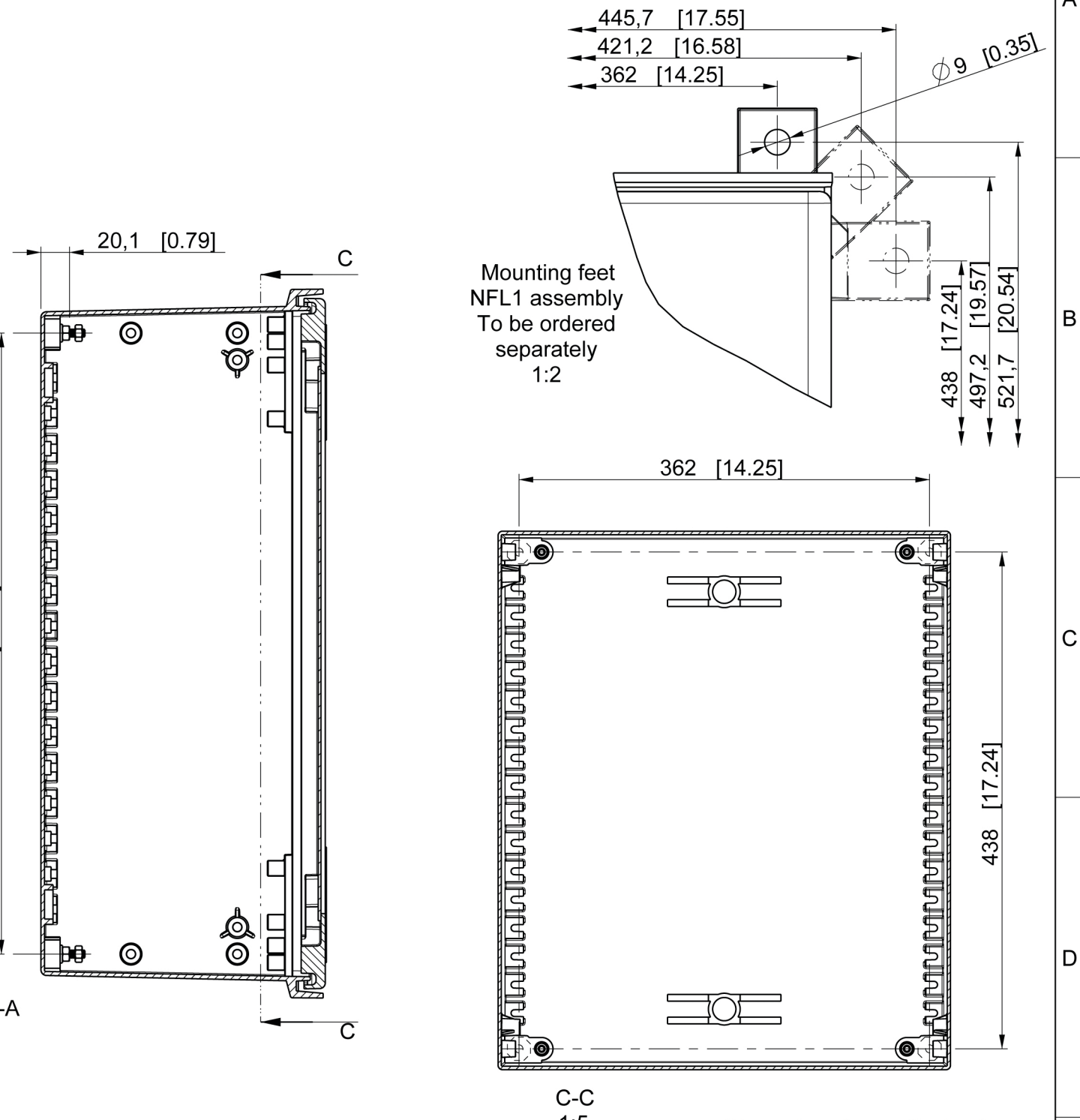


ID	Description	Date	By	Appr.
A				



Supplier: -	Tool No: -	Volume: -	Weight [g] 0
Material: Glass reinforced polyester			
		S360405020WU	
Electrification			
Scale 1:4	Date 25.11.2016		
A3	By KA		
Sheet No: 1 (1)	Checked		
	Ctrl		
		Replaces:	
		Replaced:	
		Drw No:	A
		Ref:	N Wall
		Code:	S360405020WU