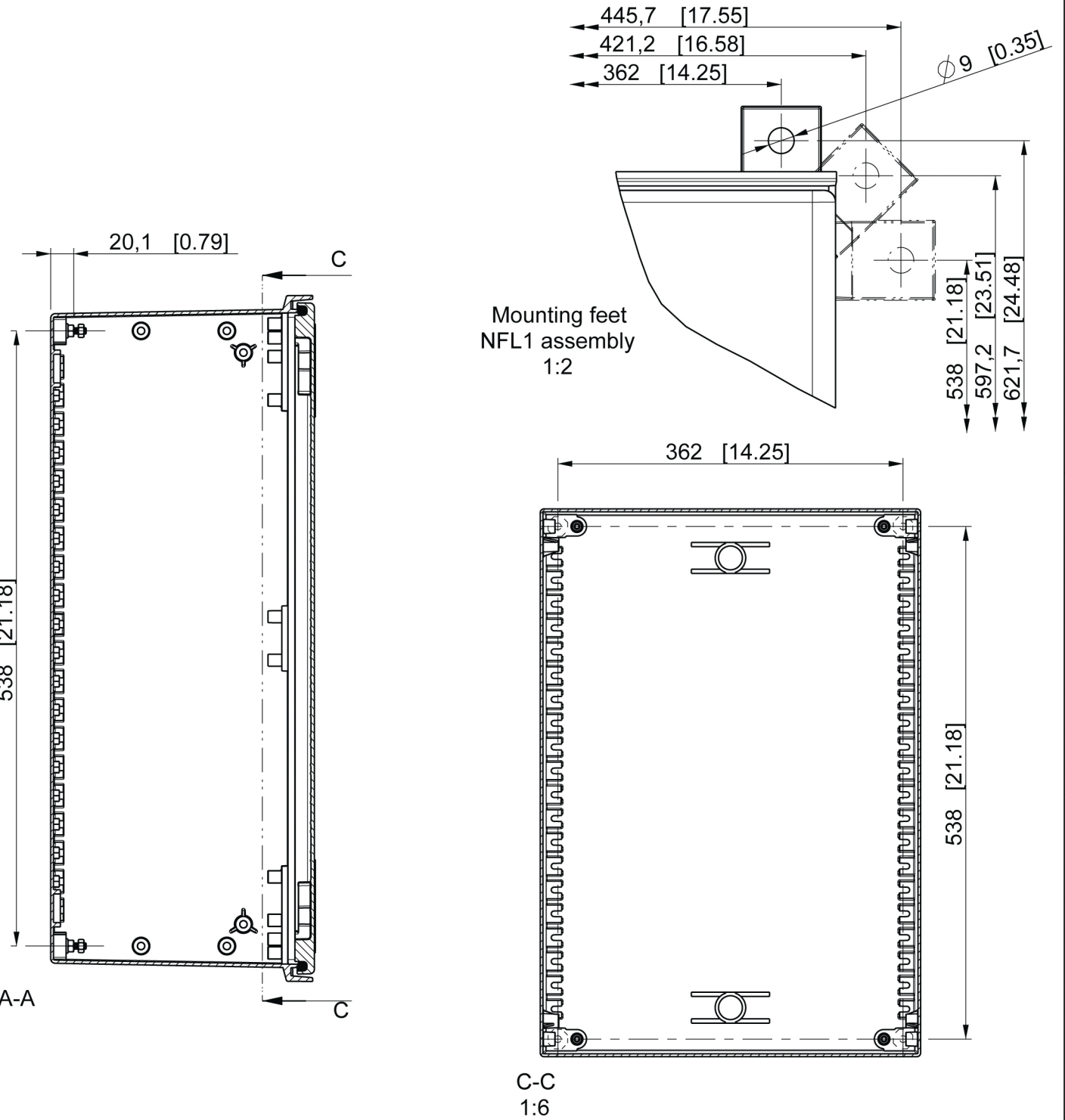


ID	Description	Date	By	Appr.
A				



Dimensions in mm [inches]

Supplier:	Tool No:	Volume	Weight [g]	0
Material: Glass reinforced polyester				
		Replaces: Replaced: Drw No: Ref: N Wall Code: S360406023PU		
Scale	Date	S360406023PU		
1:5	24.11.2016	UI 508A Industrial panel enclosure		
A3	By KA			
Sheet No: 1 (1)	Checked			
	Ctrl			