

Model Drawing

Tolerance ISO 2768-m

>0,5 =3  
±0,1

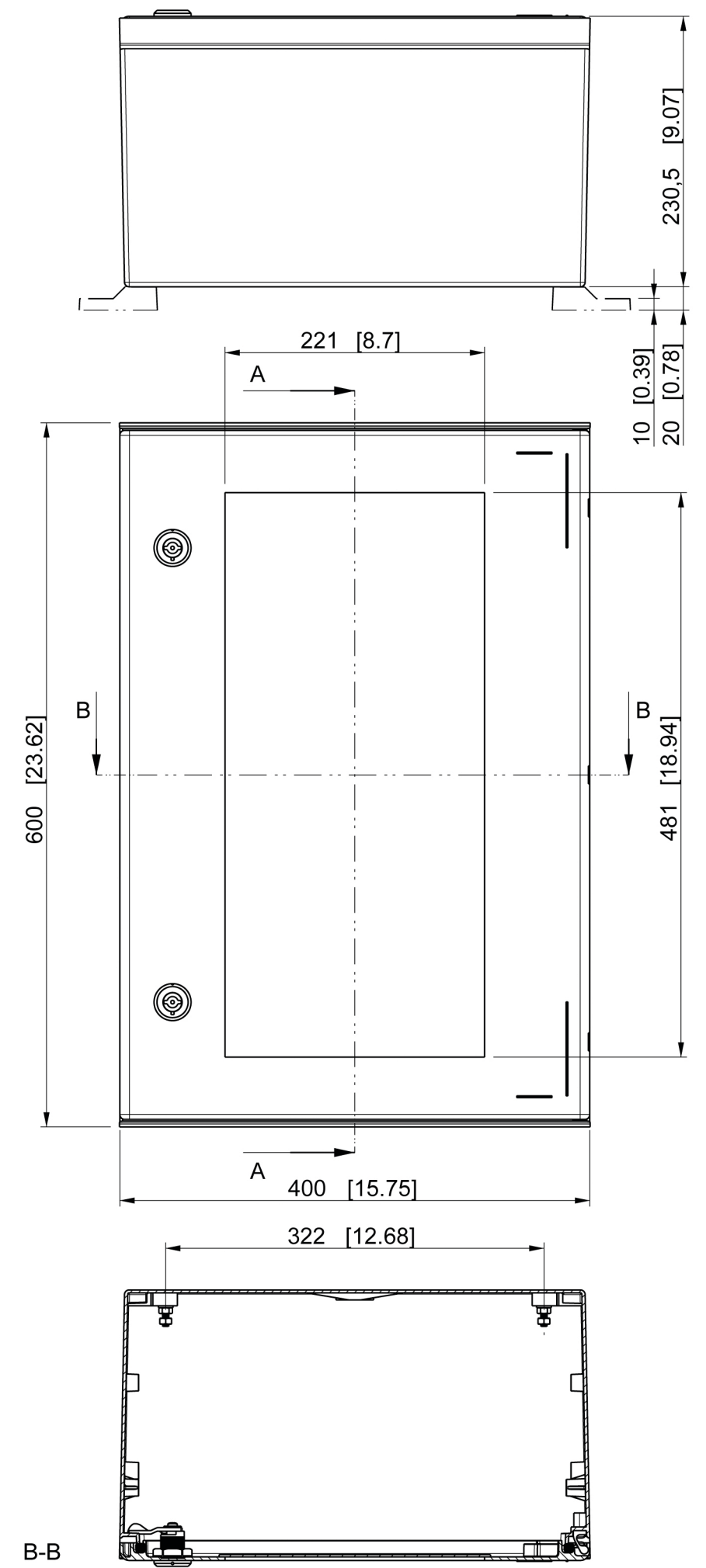
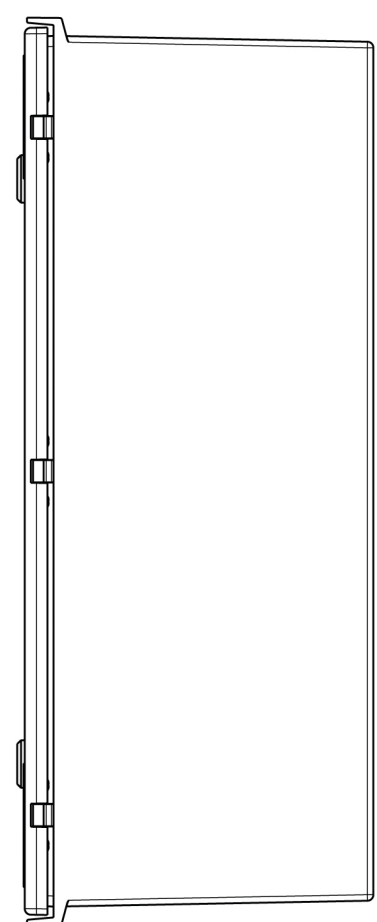
>6 =6  
±0,1

>6 =30  
±0,2

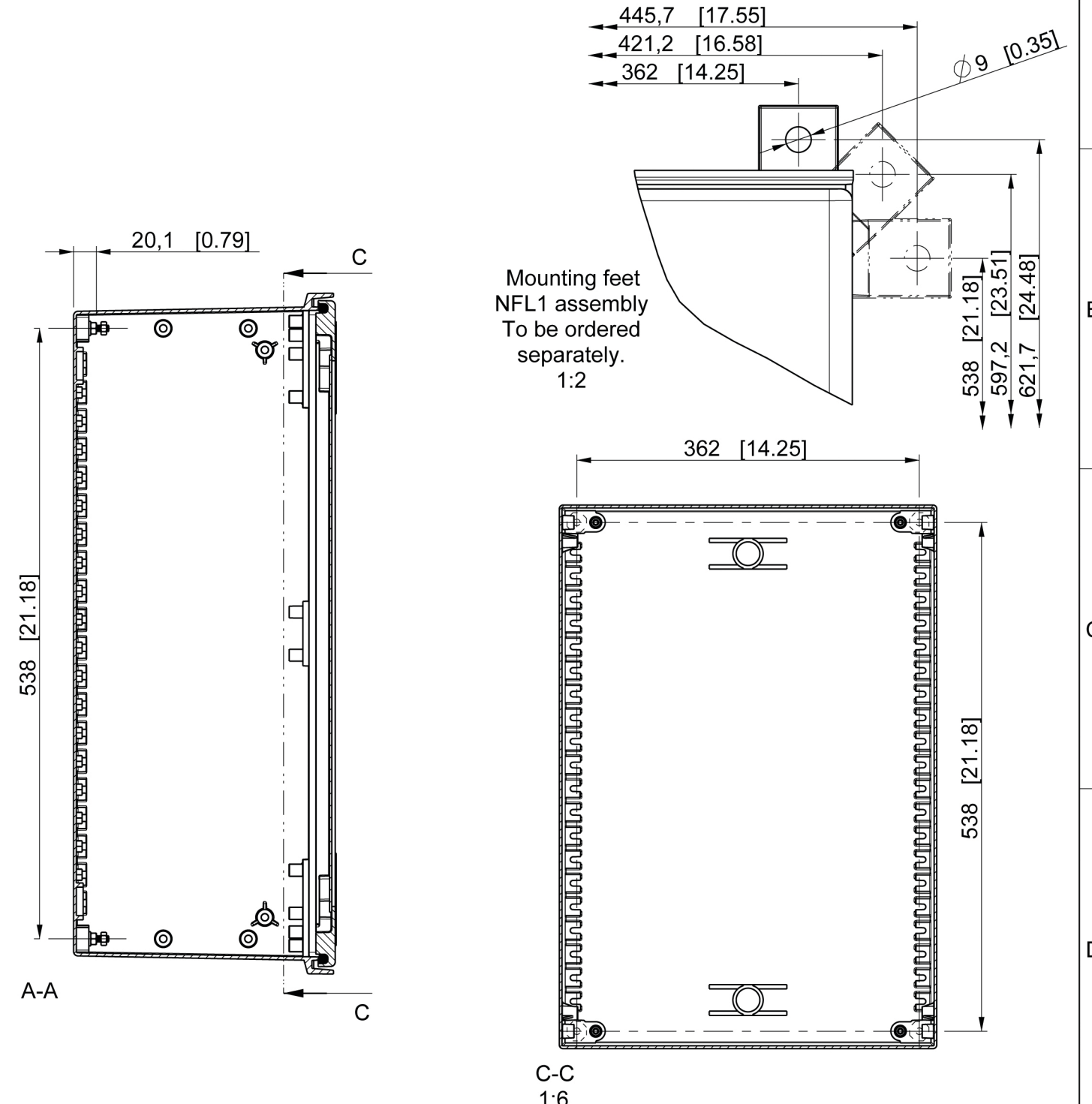
>30 =120  
±0,3

>120 =400  
±0,5

>400 =1000  
±0,8



ID	Description	Date	By	Appr.
A				



Dimensions in mm [inches]

Supplier: -	Tool No: -	Volume: -	Weight [g]: 0
Material: Glass reinforced polyester		S360406023WU	
		Replaces:	
Electrification Scale: 1:5 Date: 25.11.2016 By: KA Checked: Ctrl:		Replaced:	
Sheet No: 1 (1)		Drw No: A	
		Ref: N Wall	
		Code: S360406023WU	