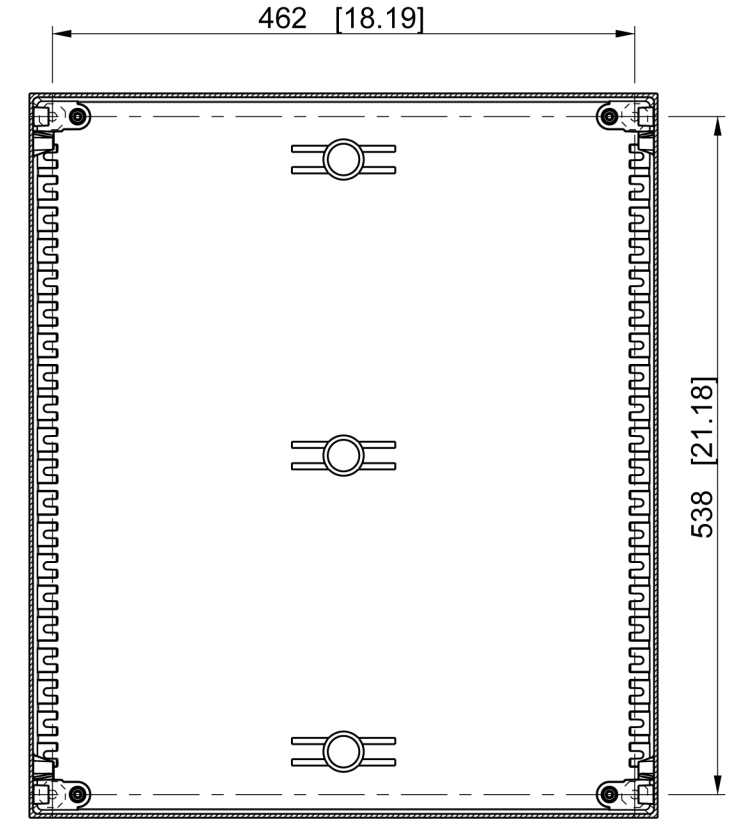
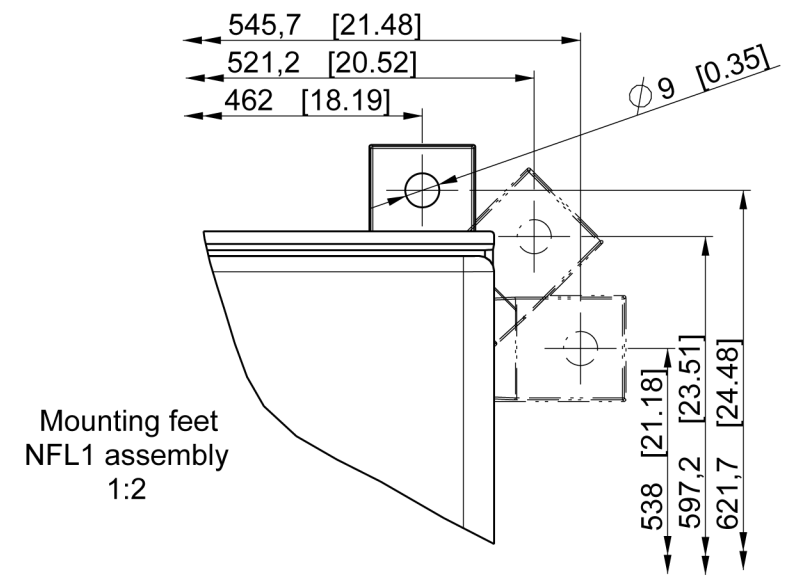
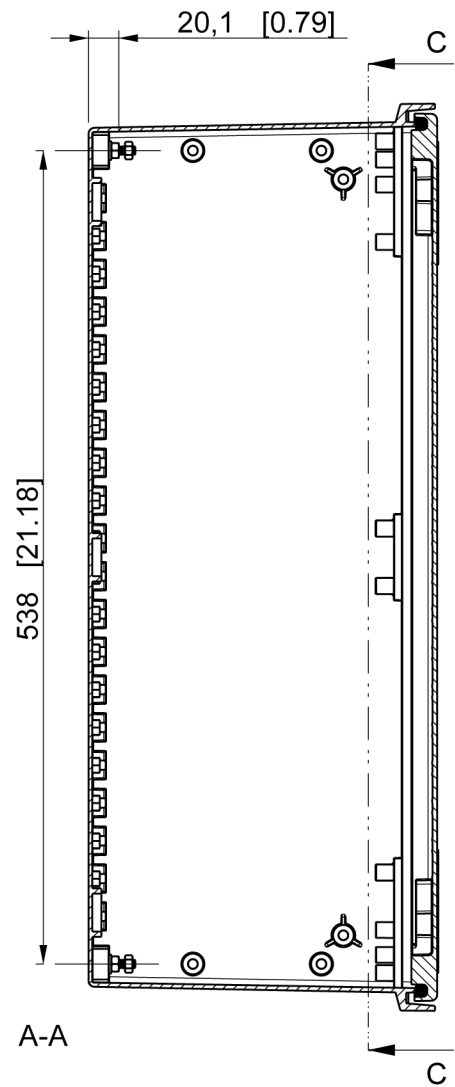
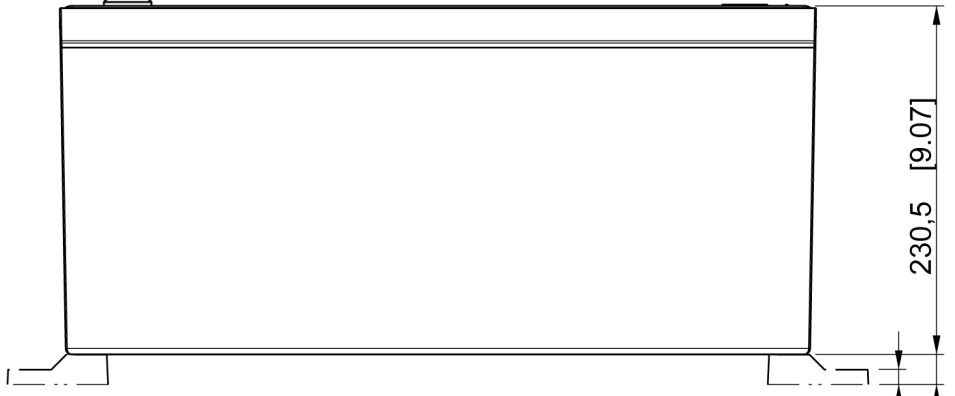
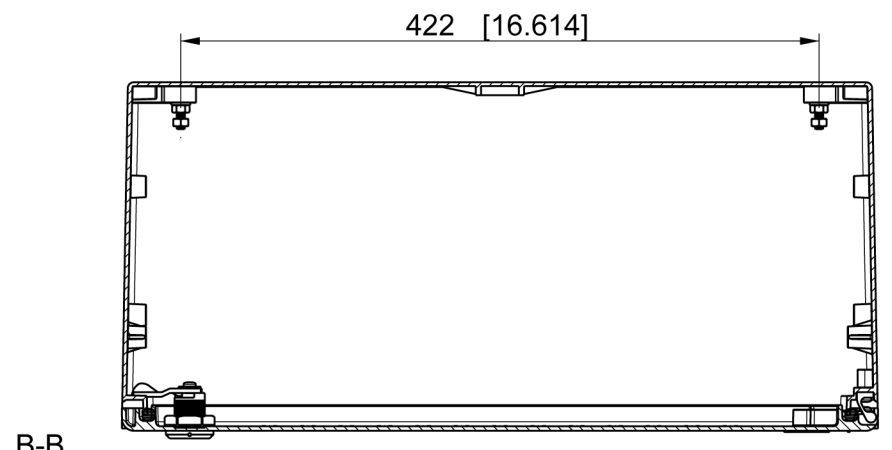
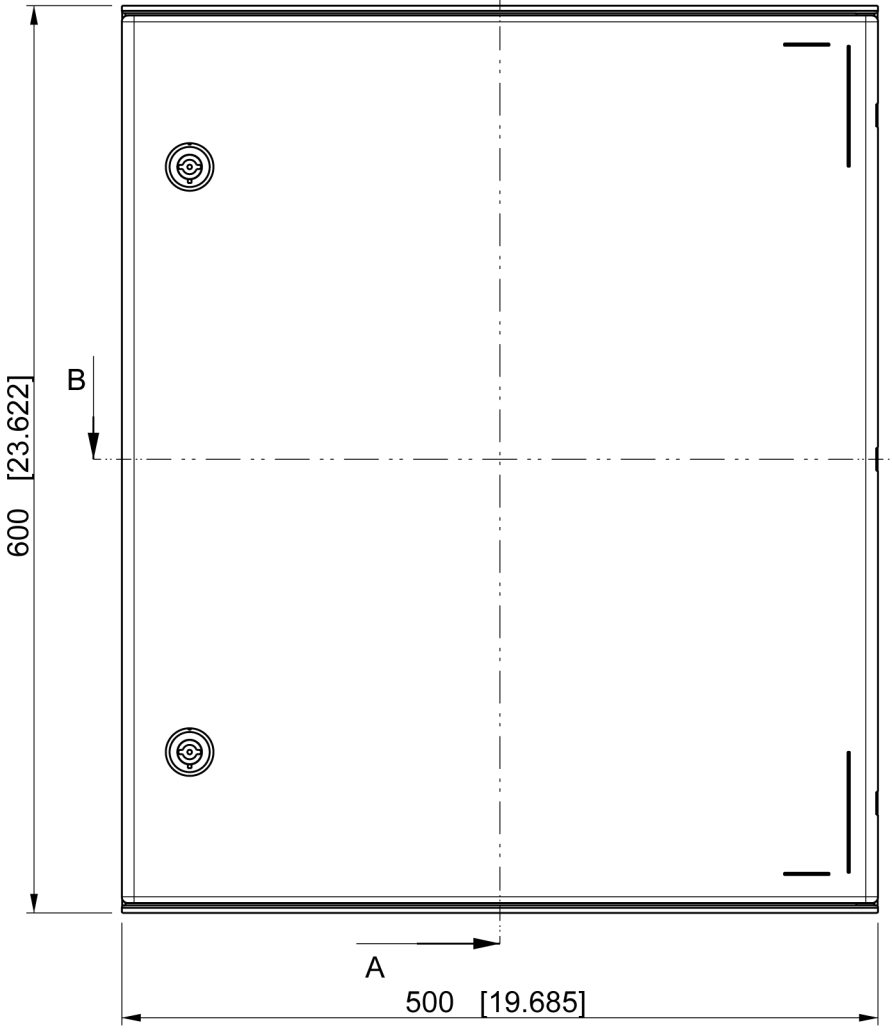
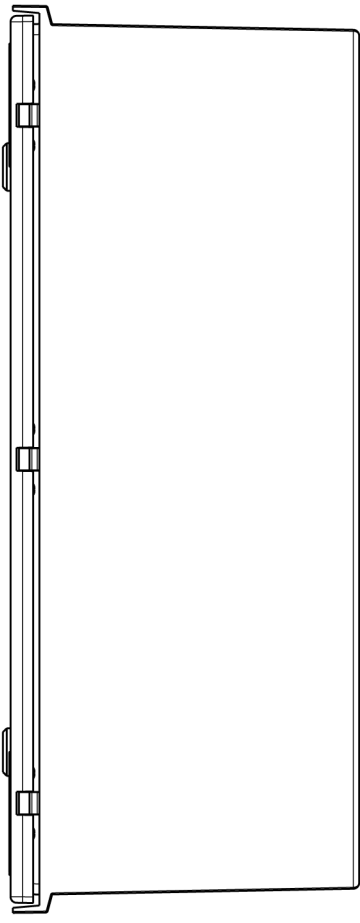


1 2 3 4 5 6 7 8

ID	Description	Date	By	Appr.
A				

Tolerance ISO 2768-m

>=6	>30 =120	>120 =400	>400 =1000
±0,1	±0,3	±0,5	±0,8
>6 =30	>30 =120	>120 =400	>400 =1000
±0,2	±0,3	±0,5	±0,8



C-C
1:6
Dimensions in mm [inches]

Material: Glass reinforced polyester		Tool No:	Volume	Weight [g]	0
		Ensto Mat:		Replaces:	
		S360506023PU		Replaced:	
Scale	Date	UI 508A Industrial panel enclosure		Drw No: A	
1:5	24.11.2016			Ref: Cubo N	
A3	By: KA			Code: S360506023PU	
Sheet No: 1 (1)	Checked				
	Ctrl				