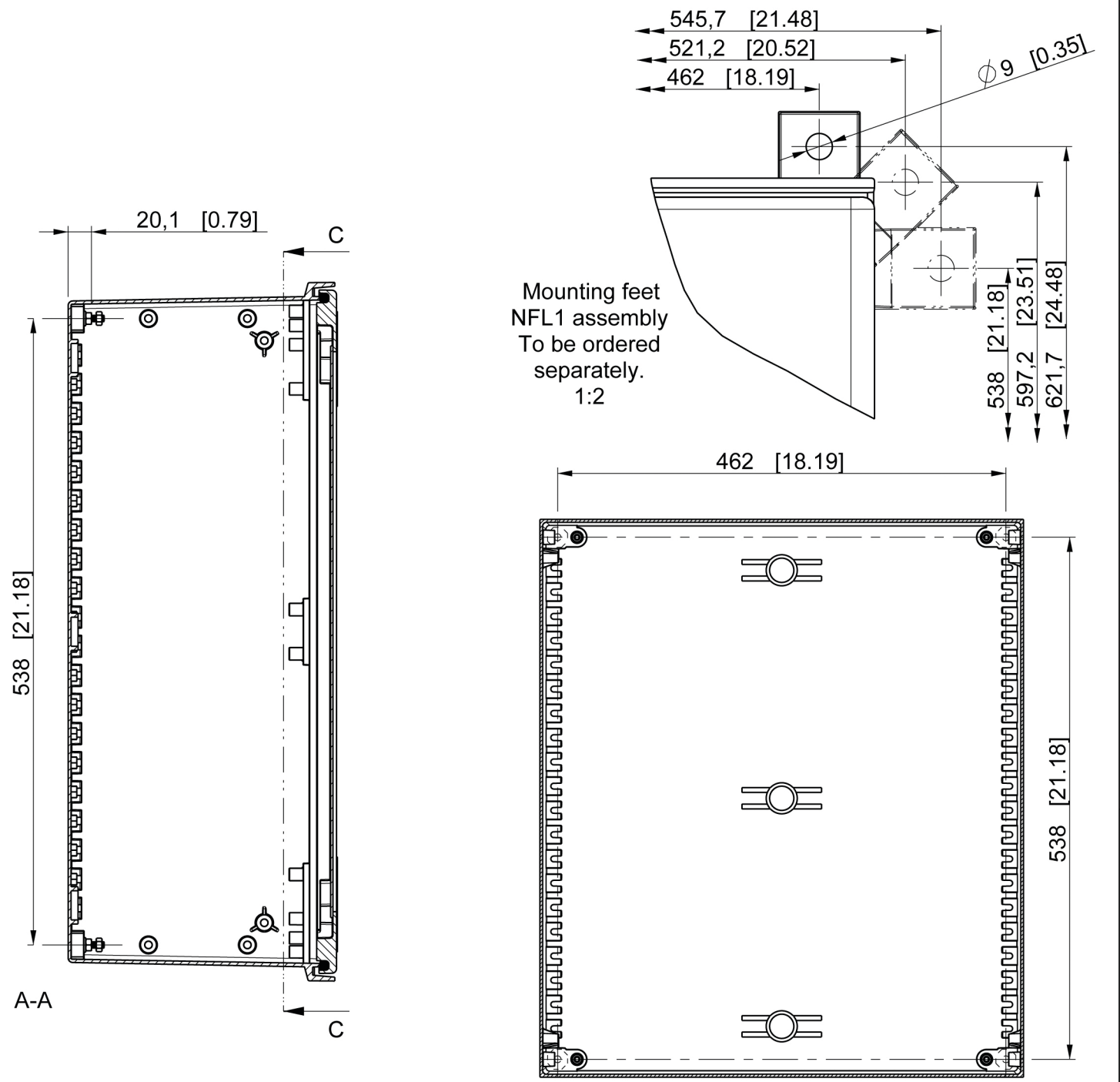


ID	Description	Date	By	Appr.
A				



Mounting feet  
NFL1 assembly  
To be ordered  
separately.  
1:2

C-C  
1:6  
Dimensions in mm [inches]

>0,5 =3 ±0,1	>6 =30 ±0,2	>30 =120 ±0,3	>120 =400 ±0,5	>400 =1000 ±0,8
-----------------	----------------	------------------	-------------------	--------------------

Tolerance  
ISO 2768-m

Supplier: -	Tool No: -	Volume: -	Weight [g]: 0
Material: Glass reinforced polyester		S360506023WU	
		Replaces:	
Electrification Scale: 1:5 Date: 25.11.2016 By: KA Checked: Sheet No: 1 (1)		Replaced: Drw No: A Ref: N Wall Code: S360506023WU	