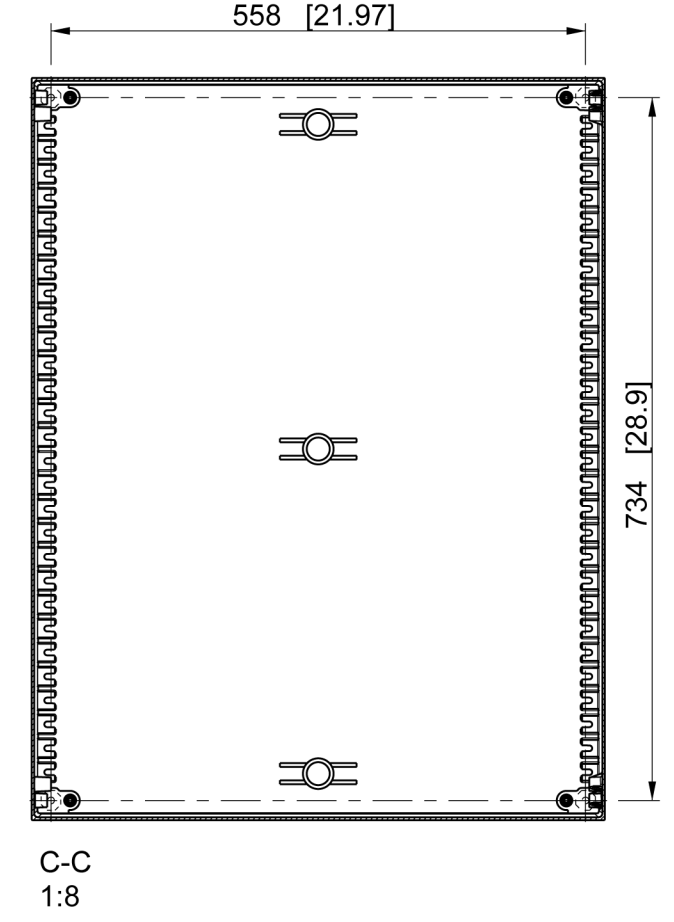
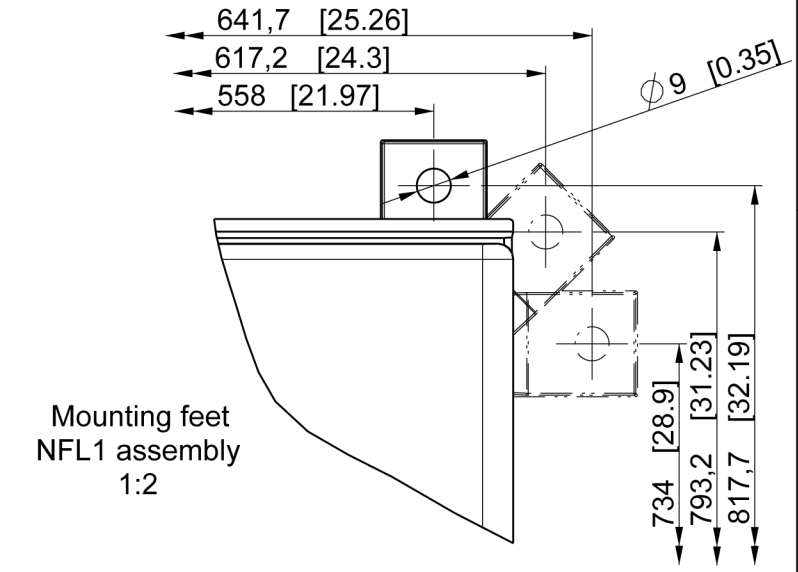


ID	Description	Date	By	Appr.
A				



Dimensions in mm [inches]

Supplier:		Tool No:		Volume	Weight [g]	0
Material: Glass reinforced polyester						
<b>SEALCON</b>				Replaces:		
Scale		Date	24.11.2016	Replaced:		
1:6		By	KA	Drw No:		A
A3		Checked		Ref:		Fiberglass N
Sheet No: 1 (1)		Ctrl		Code:		S360608030PU
S360608030PU UI 508A Industrial panel enclosure						

Tolerance ISO 2768-m

>=6	>6 =30	>30 =120	>120 =400	>400 =1000
±0,1	±0,2	±0,3	±0,5	±0,8