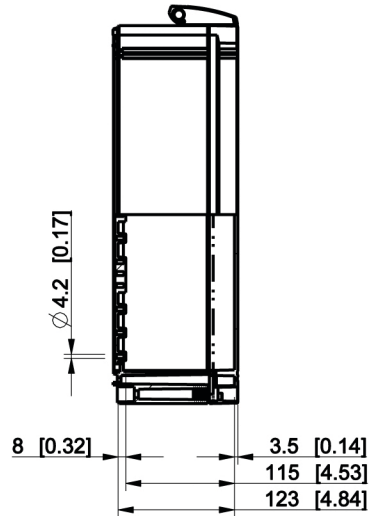
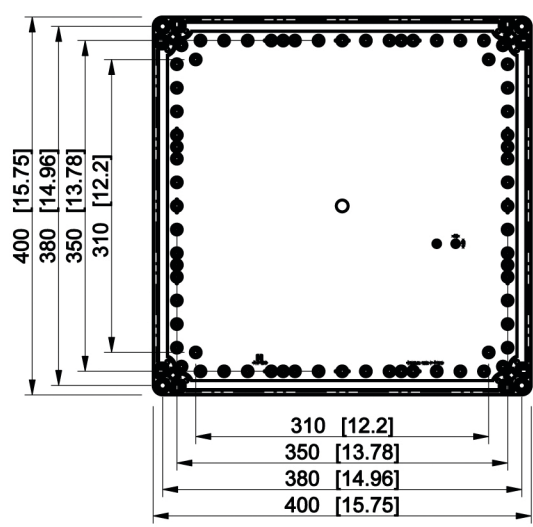
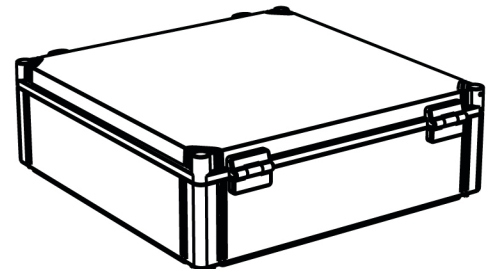
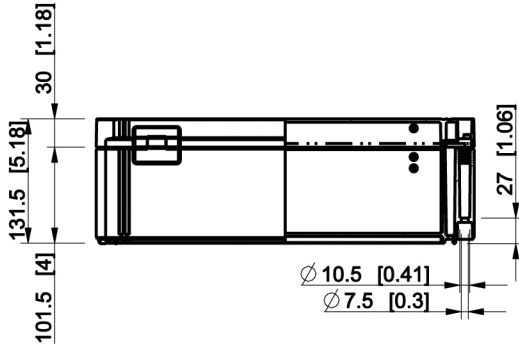


ID	Description	Date	By	Appr.
A				



Dimensions in mm [inches]

Material: Polycarbonate, fiberglass-reinforced	Color: RAL 7035
--	-----------------

Supplier:	Tool No:	Weight [kg]: 2.73	Volume:
-----------	----------	-------------------	---------

		S3140074349GU	Replaces:
			Replaced:

Scale	Date	02.01.09	Drw No: A
-------	------	----------	-----------

1:8	By	PKos	Ref: Series W
-----	----	------	---------------

-	Checked		Code: S3140074349GU
---	---------	--	---------------------

-	Ctrl		Sheet No:
---	------	--	-----------

model drawing