

## Empty boxes



### Mi EP 04

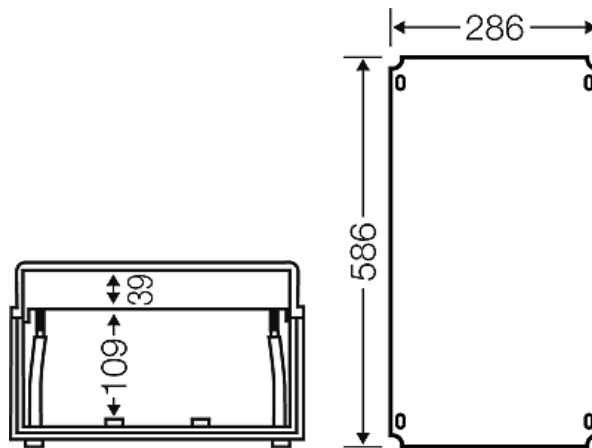
- Cover
- for Mi Empty box size 4

- for retrofitting
- cover without cut-outs made of plastics, as protection cover or for the installation of devices
- with fastening material

weight	0,58 kg
--------	---------

## Drawings

Dimension drawing



Detail mass

