

With or without terminals

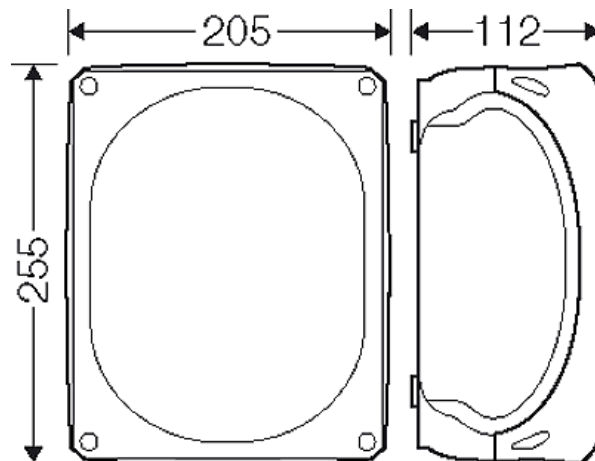


- without terminals
- included cable entry: 3 x ESM 40, sealing range Ø 17-30 mm
- with two cable entries M 32 from the rear side
- lid fasteners sealable without accessories
- external brackets for wall fixing included
- colour: grey, RAL 7035

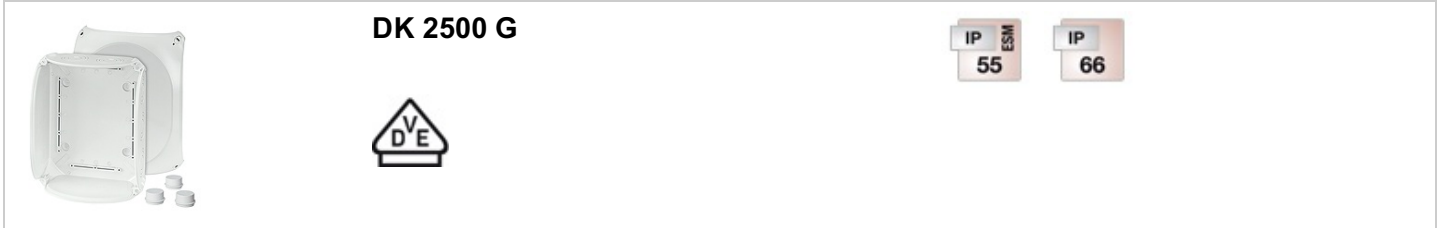
| | |
|--------------------------|-----------------------------------|
| rated insulation voltage | U _i = 1000 V a.c./d.c. |
| material | PC (Polycarbonate) |
| degree of protection | IP 55 (ESM) |
| degree of protection | IP 66 (AKM) |
| mounting width | 220 mm |
| mounting height | 170 mm |
| max. installation depth | 96 mm |
| width | 255 mm |
| height | 205 mm |
| depth | 112 mm |
| weight | 0,671 kg |
| in accordance with | IEC 60670-22 |

Drawings

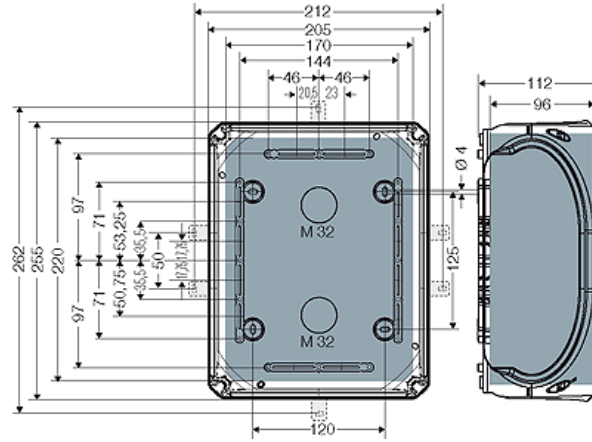
Dimension drawing



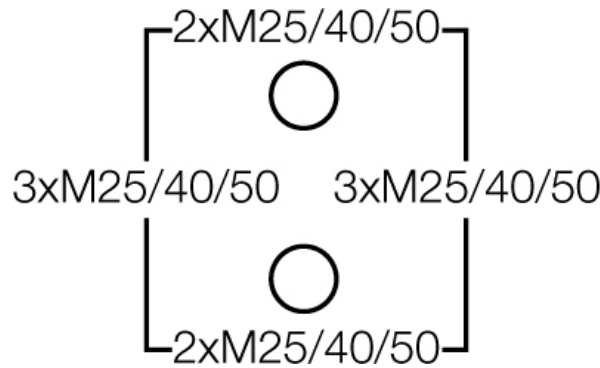
With or without terminals



Detail mass



Box walls



Operating and ambient conditions

| | |
|---|--|
| Application area | Suitable for indoor installation and outdoor installation, protected against weather influences |
| Ambient temperature | Maximum value + 40 °C Minimum value - 25 °C |
| Fire protection in the event of internal faults | Demands placed on electrical devices from standards and laws Minimum requirements - Glow wire test in accordance with IEC 60695-2-11: - 650°C for boxes and cable glands - 850°C for parts of insulating material necessary to retain current carrying parts in position |
| Burning behaviour | Glow wire test IEC 60695-2-11: 750 °C UL Subject 94: V-2 flame-retardant self-extinguishing |
| Degree of protection against mechanical load | IK07 (2 Joule) |

Toxic behaviour

halogen-free
silicone-free
"halogen-free" in accordance with the examination of the cables
and insulated wires - corrosiveness of fumes - as per IEC 60754-2

Note:

For material properties see technical data.