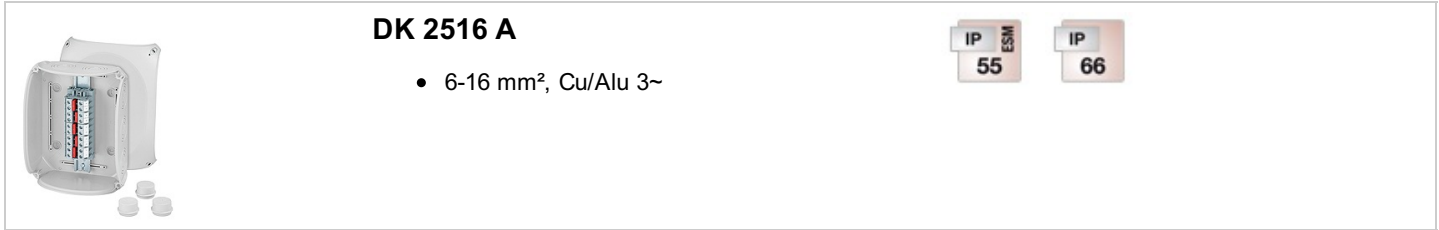


For aluminium (Alu) and copper (Cu) conductors



### DK 2516 A

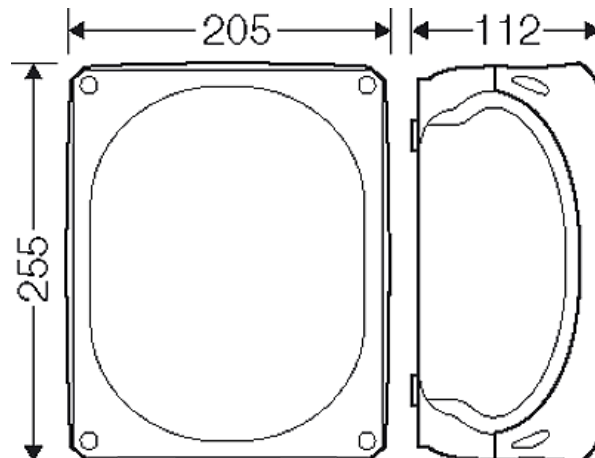
- 6-16 mm<sup>2</sup>, Cu/Alu 3~

- with terminals
- 5-pole per pole 4 x 6 mm<sup>2</sup> sol/f, 4 x 10 mm<sup>2</sup> sol/f, 4 x 16 mm<sup>2</sup> sol/s/f, conductors are inserted into the screw-type terminal, terminal technology, see annex DK Cable junction boxes
- included cable entry: 3 x ESM 40, sealing range Ø 17-30 mm
- with two cable entries M 32 from the rear side
- lid fasteners sealable without accessories
- Before connecting, aluminum conductors must be pre-treated according to the appropriate technical recommendations, see technical information aluminum conductors
- external brackets for wall fixing included
- colour: grey, RAL 7035

rated insulation voltage	U <sub>i</sub> = 690 V a.c./d.c.
rated current:	76 A
material	PC (Polycarbonate)
degree of protection	IP 55 (ESM)
degree of protection	IP 66 (AKM)
width	255 mm
height	205 mm
depth	112 mm
weight	1,113 kg
tightening torque for terminal	3.0 Nm

### Drawings

Dimension drawing



For aluminium (Alu) and copper (Cu) conductors

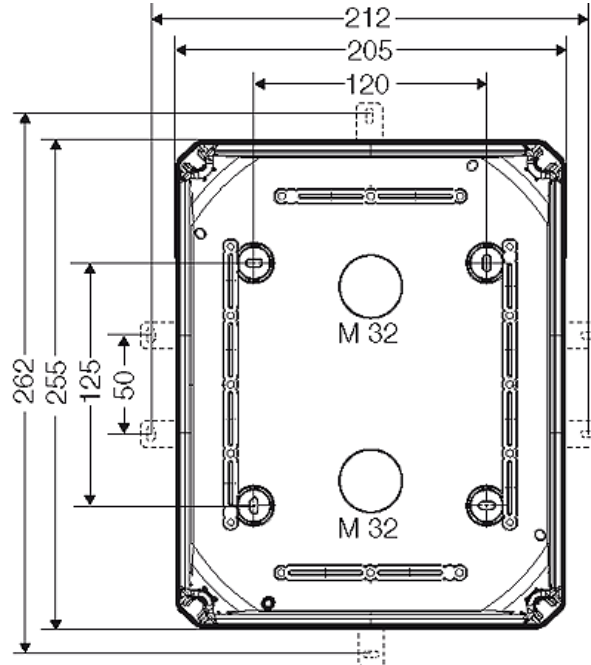


## DK 2516 A

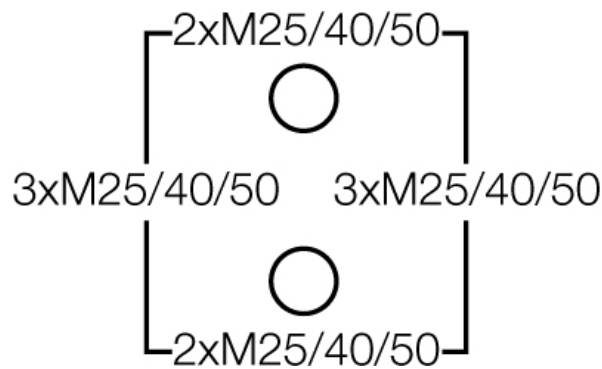
- 6-16 mm<sup>2</sup>, Cu/Alu 3~



Detail mass



Box walls



## Operating and ambient conditions

Application area	Suitable for indoor installation and outdoor installation, protected against weather influences
Ambient temperature	Average value over 24 hours + 35 °C Maximum value + 40 °C Minimum value - 25 °C
Relative humidity	50% at 40° C short-time 100% at 25° C

Fire protection in the event of internal faults

Demands placed on electrical devices from standards and laws  
Minimum requirements  
- Glow wire test in accordance with IEC 60695-2-11:  
- 650°C for boxes and cable glands  
- 850°C for parts of insulating material necessary to retain current carrying parts in position

Burning behaviour	Glow wire test IEC 60695-2-11: 750 °C UL Subject 94: V-2 flame-retardant self-extinguishing
Degree of protection against mechanical load	IK07 (2 Joule)
Toxic behaviour	halogen-free silicone-free "halogen-free" in accordance with the examination of the cables and insulated wires - corrosiveness of fumes - as per IEC 60754-2

Note:

For material properties see technical data.