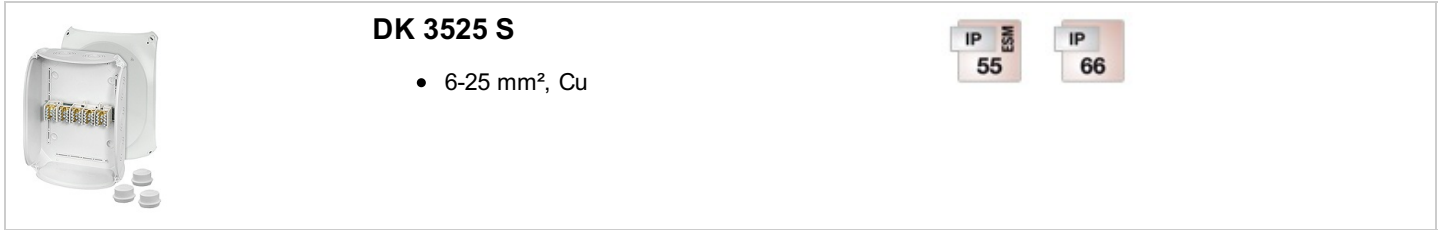


Main line branch terminals



DK 3525 S

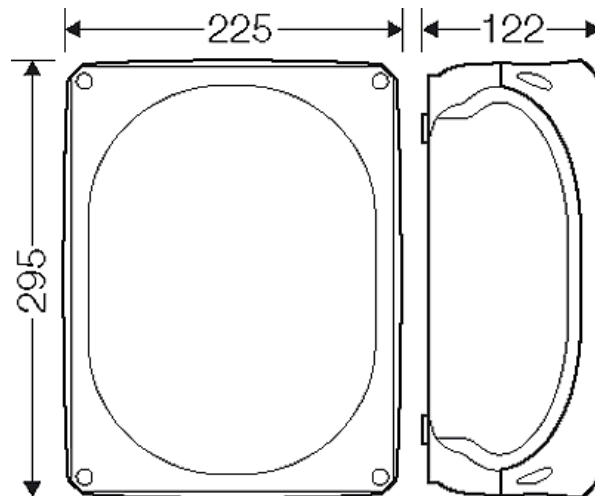
- 6-25 mm², Cu



- with main line branch terminals for copper conductors
- 5-pole, per pole terminals for incoming cables 10-25 mm² r, 6-16 mm² f, with end ferrule, terminals for outgoing cables 6-16 mm² r, 4-10 mm² f with end ferrule
- lid fasteners sealable without accessories
- included cable entry: 3 x ESM 40, sealing range Ø 17-30 mm
- with two cable entries M 32 from the rear side
- external brackets for wall fixing included
- colour: grey, RAL 7035

rated insulation voltage	U _i = 400 V a.c.
rated current:	80 A
material	PC (Polycarbonate)
degree of protection	IP 55 (ESM)
degree of protection	IP 66 (AKM)
width	295 mm
height	225 mm
depth	122 mm
weight	1,668 kg
tightening torque for terminal	3,0 Nm Zuleitungsklemmen 3,0 Nm Ableitungsklemmen
VNB approval	Vattenfall-Berlin

Drawings



Dimension drawing

Main line branch terminals



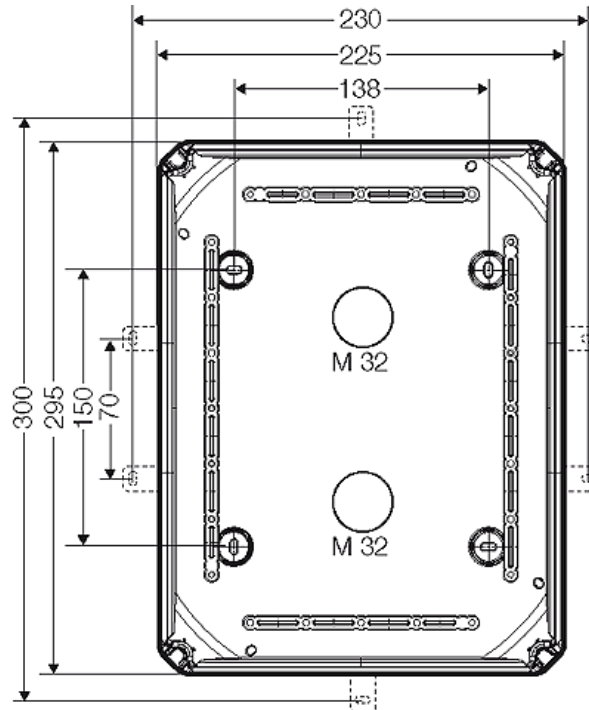
DK 3525 S

- 6-25 mm², Cu

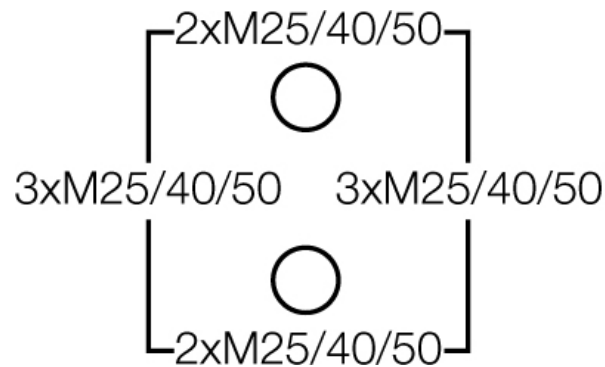
IP ESM
55

IP
66

Detail mass



Box walls



Operating and ambient conditions

Application area	Suitable for indoor installation and outdoor installation, protected against weather influences
Ambient temperature	Average value over 24 hours + 35 °C Maximum value + 40 °C Minimum value - 25 °C
Relative humidity	50% at 40° C short-time 100% at 25° C

Fire protection in the event of internal faults

Demands placed on electrical devices from standards and laws
Minimum requirements
- Glow wire test in accordance with IEC 60695-2-11:
- 650°C for boxes and cable glands
- 850°C for parts of insulating material necessary to retain current carrying parts in position

Burning behaviour

Glow wire test IEC 60695-2-11: 750 °C

UL Subject 94: V-2
flame-retardant
self-extinguishing

Degree of protection against mechanical load

IK07 (2 Joule)

Toxic behaviour

halogen-free
silicone-free
"halogen-free" in accordance with the examination of the cables and insulated wires - corrosiveness of fumes - as per IEC 60754-2

Note:

For material properties see technical data.