

With or without terminals



DK 5054 G

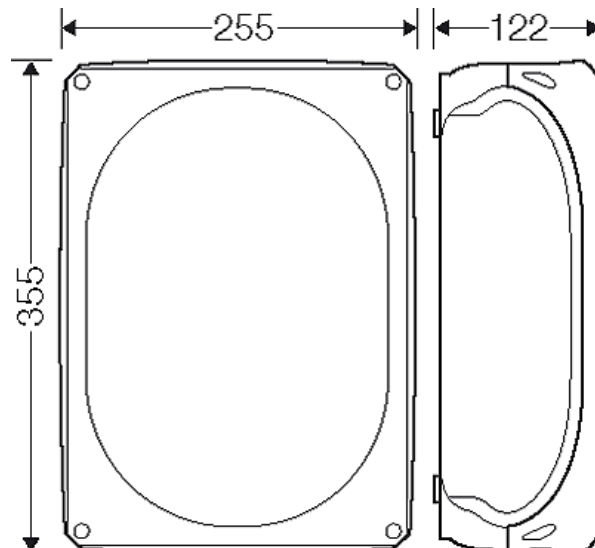
- 16-50 mm², Cu 3~



- terminal with 2 clamping units per pole
- 4-pole per pole 6 x 16 mm² s, 4 x 25 mm² s, 4 x 35 mm² s, 4 x 50 mm² s
- with two cable entries M 32 from the rear side
- cable entries via knockouts, order AKM separately (see cable entry systems LES)
- lid fasteners sealable without accessories
- external brackets for wall fixing included
- colour: grey, RAL 7035

| | |
|--------------------------------|----------------------------------|
| rated insulation voltage | U _i = 690 V a.c./d.c. |
| rated current: | 150 A |
| material | PC (Polycarbonate) |
| degree of protection | IP 66 |
| width | 355 mm |
| height | 255 mm |
| depth | 122 mm |
| weight | 2,314 kg |
| tightening torque for terminal | 12.0 Nm |
| in accordance with | IEC 60670-22 |

Drawings



Dimension drawing

With or without terminals

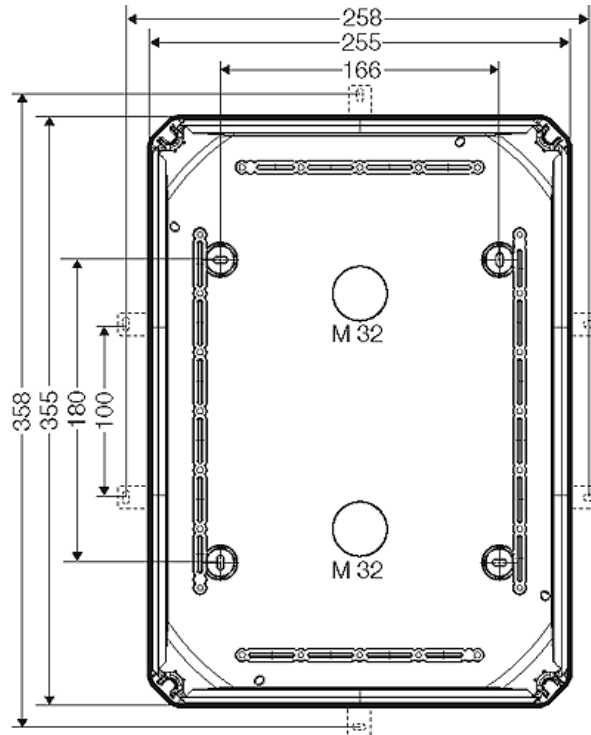


DK 5054 G

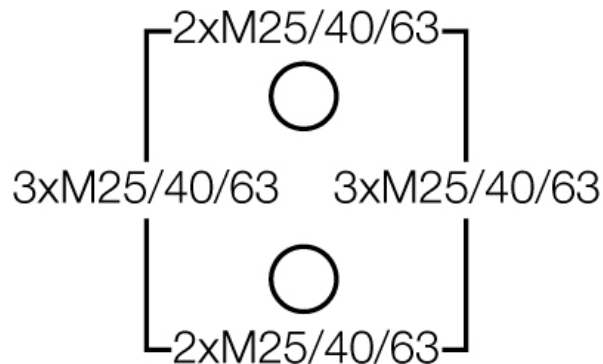
- 16-50 mm², Cu 3~

IP
66

Detail mass



Box walls



Operating and ambient conditions

| | |
|---------------------|---|
| Application area | Suitable for indoor installation and outdoor installation, protected against weather influences |
| Ambient temperature | Average value over 24 hours + 35 °C Maximum value + 40 °C Minimum value - 25 °C |
| Relative humidity | 50% at 40° C |

Fire protection in the event of internal faults

Demands placed on electrical devices from standards and laws
Minimum requirements
- Glow wire test in accordance with IEC 60695-2-11:
- 650°C for boxes and cable glands
- 850°C for parts of insulating material necessary to retain current carrying parts in position

Burning behaviour

Glow wire test IEC 60695-2-11: 750 °C
UL Subject 94: V-2
flame-retardant
self-extinguishing

Degree of protection against mechanical load

IK07 (2 Joule)

Toxic behaviour

halogen-free
silicone-free
"halogen-free" in accordance with the examination of the cables and insulated wires - corrosiveness of fumes - as per IEC 60754-2

Note:

For material properties see technical data.